

# PRODUCT INFORMATION PACKET

marathon®  
Motors

Model No: 256TTDBD6037

Catalog No: GT2462

Globetrotter® Close-Coupled Pump Motor, 20 & 15 HP, 3 Ph, 60 & 50 Hz, 230/460 & 190/380 V,  
1800 & 1500 RPM, 256JP Frame, DP



Regal and Marathon are trademarks of Regal Rexnord Corporation or one of its affiliated companies.  
©2024 Regal Rexnord Corporation, All Rights Reserved. MC017097E

RegalRexnord

### Nameplate Specifications

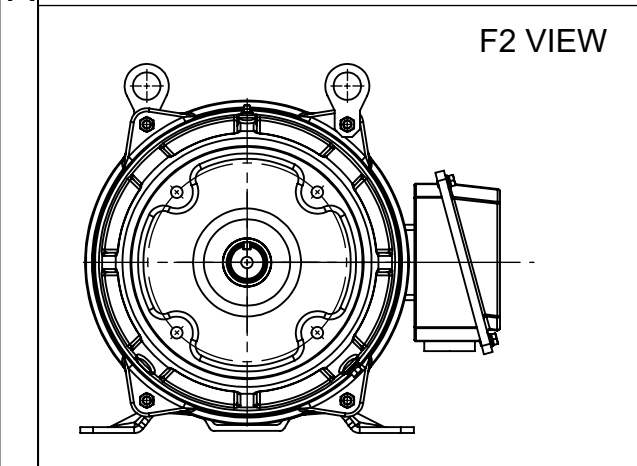
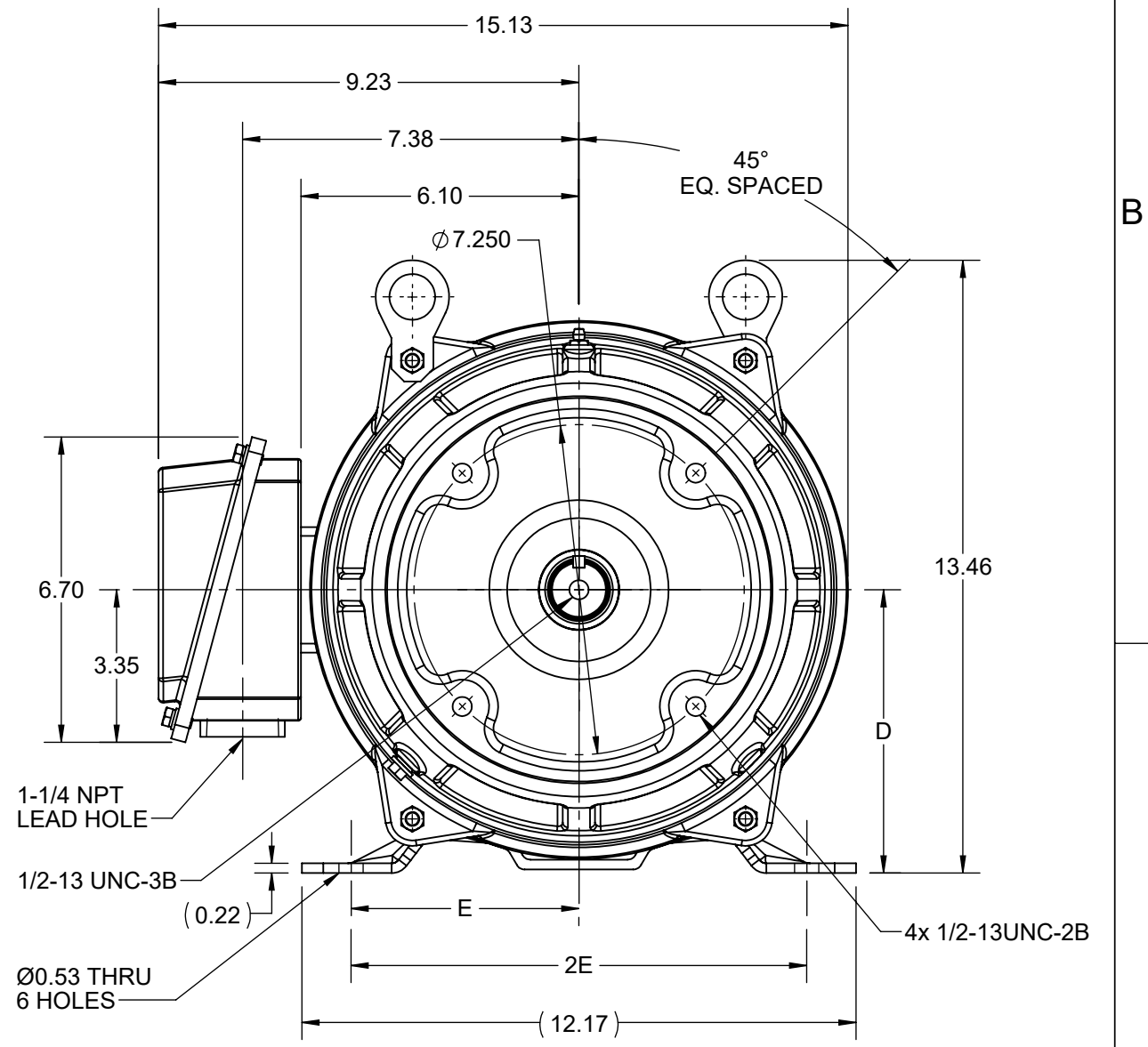
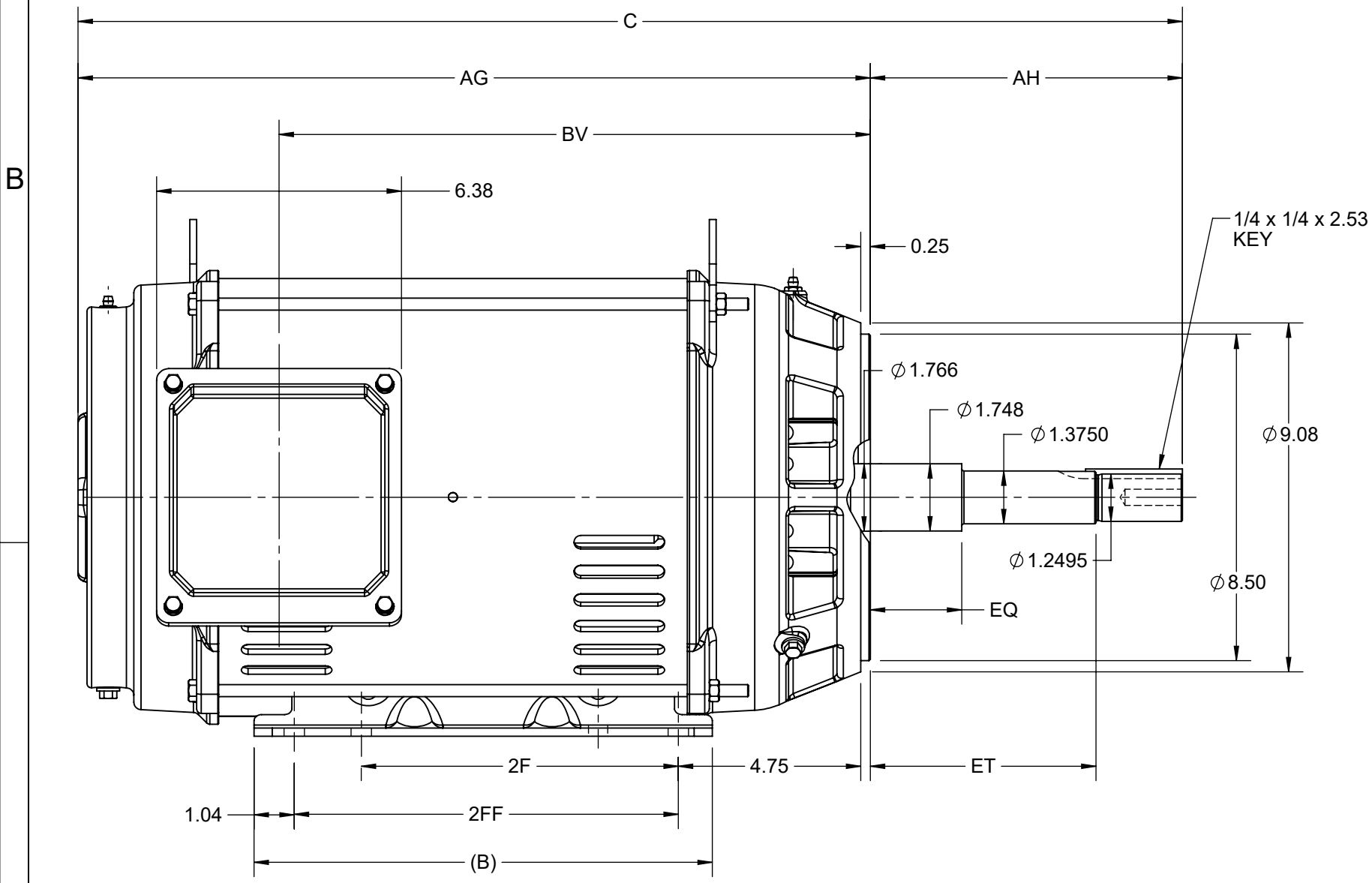
|                        |                                  |                            |                                |
|------------------------|----------------------------------|----------------------------|--------------------------------|
| Phase                  | <b>3</b>                         | Output HP                  | <b>20 &amp; 15 Hp</b>          |
| Output KW              | <b>14.9 &amp; 11.2 kW</b>        | Voltage                    | <b>230/460 &amp; 190/380 V</b> |
| Speed                  | <b>1770 &amp; 1475 rpm</b>       | Service Factor             | <b>1.15 &amp; 1.15</b>         |
| Frame                  | <b>256JP</b>                     | Enclosure                  | <b>Drip Proof</b>              |
| Thermal Protection     | <b>No Protection</b>             | Efficiency                 | <b>93 &amp; 92.4 %</b>         |
| Ambient Temperature    | <b>40 °C</b>                     | Frequency                  | <b>60 &amp; 50 Hz</b>          |
| Current                | <b>48.5/24.3 &amp; 45/22.4 A</b> | Power Factor               | <b>83.5</b>                    |
| Duty                   | <b>Continuous</b>                | Insulation Class           | <b>F</b>                       |
| Design Code            | <b>B</b>                         | KVA Code                   | <b>G</b>                       |
| Drive End Bearing Size | <b>6309</b>                      | Opp Drive End Bearing Size | <b>6208</b>                    |
| UL                     | <b>Recognized</b>                | CSA                        | <b>Y</b>                       |
| CE                     | <b>Y</b>                         | IP Code                    | <b>22</b>                      |
| Number of Speeds       | <b>1</b>                         |                            |                                |

### Technical Specifications

|                       |                                     |                       |                         |
|-----------------------|-------------------------------------|-----------------------|-------------------------|
| Electrical Type       | <b>Squirrel Cage Inverter Rated</b> | Starting Method       | <b>Line Or Inverter</b> |
| Poles                 | <b>4</b>                            | Rotation              | <b>Reversible</b>       |
| Resistance Main       | <b>.51 Ohms</b>                     | Mounting              | <b>Rigid Base</b>       |
| Motor Orientation     | <b>Horizontal</b>                   | Drive End Bearing     | <b>Ball</b>             |
| Opp Drive End Bearing | <b>Ball</b>                         | Frame Material        | <b>Rolled Steel</b>     |
| Shaft Type            | <b>JP</b>                           | Overall Length        | <b>28.90 in</b>         |
| Frame Length          | <b>12.20 in</b>                     | Shaft Diameter        | <b>1.249 in</b>         |
| Shaft Extension       | <b>8.41 in</b>                      | Assembly/Box Mounting | <b>F1/F2 CAPABLE</b>    |
| Inverter Load         | <b>CONSTANT 2:1/VARIABLE 10:1</b>   |                       |                         |
| Outline Drawing       | <b>SS620825-200</b>                 | Connection Drawing    | <b>EE7308K</b>          |

This is an uncontrolled document once printed or downloaded and is subject to change without notice. Date Created:10/18/2024

| 4        |       |       |      | 3    |       |      |       | 2     |       |       |      | 1    |          |       |
|----------|-------|-------|------|------|-------|------|-------|-------|-------|-------|------|------|----------|-------|
| DASH NO. | B     | C     | D    | E    | 2E    | 2F   | 2FF   | AG    | AH    | BV    | EQ   | ET   | MOUNTING | FRAME |
| 100      | 11.93 | 27.18 | 6.25 | 5.00 | 10.00 | 8.25 | 10.00 | 19.06 | 8.122 | 13.82 | 2.38 | 5.87 | F1 OR F2 | 254JP |
| 200      |       | 28.76 |      |      |       |      |       | 20.63 |       | 15.40 |      |      |          | 256JP |



|   |                    |                               |
|---|--------------------|-------------------------------|
| DRAWING REVISION<br>C   | REVISION BY<br>RAM | REV DATE/© DATE<br>08/02/2022 |
| REQUEST NUMBER<br>CR-0006810  | APPROVED BY<br>SBD | DATE<br>08/02/2022            |
| REQUEST NUMBER DESCRIPTION<br>VIEWS UPDATED AS PER 3D   |                    |                               |
| <small>COPYRIGHT (PER REVISION DATE) REGAL BELOIT AMERICA, INC. ALL RIGHTS RESERVED. PROPRIETARY AND CONFIDENTIAL INFORMATION - THIS DOCUMENT IS THE PROPERTY OF REGAL BELOIT AMERICA, INC. ("OWNER") AND CONTAINS OWNER'S PROPRIETARY INFORMATION. ANY PERSON, CORPORATION OR OTHER FIRM RECEIVING IT IS DEEMED, BY RECEIVING IT, TO AGREE THAT IT, AND/OR ANY PART OF IT, SHALL NOT BE DISCLOSED TO ANY PERSON, CORPORATION OR OTHER ENTITY, DUPLICATED, AND/OR USED, EXCEPT AS EXPRESSLY APPROVED IN WRITING IN ADVANCE BY OWNER. THIS DOCUMENT SHALL BE RETURNED TO OWNER UPON REQUEST. IT MAY BE SUBJECT TO CERTAIN RESTRICTIONS UNDER APPLICABLE EXPORT CONTROL LAWS AND REGULATIONS.</small> |                    |                               |

PRIMARY DIMENSIONS ARE INCH  
mm DIMENSIONS IN [BRACKETS]  
ARE FOR REFERENCE ONLY

|                        |   |                            |
|------------------------|---|----------------------------|
| DRAWN BY<br>ZXW        | Regal Beloit America, Inc.                                |                            |
| DATE<br>25/02/2016     |   |                            |
| APPROVED BY<br>WY      | DESCRIPTION<br><b>OUTLINE</b><br>254/256JP FR NEMA ODP RS |                            |
| DATE<br>25/02/2016     | MATERIAL  | PROCESS/FINISH             |
| REFERENCE              | SIZE<br>B   | DRAWING NUMBER<br>SS620825 |
| THIRD ANGLE PROJECTION | SHEET<br>1 OF 1   |                            |


LOW VOLTAGE



HIGH VOLTAGE



VIEW OF TERMINAL END

|  |  |                |     | TOLERANCES UNLESS SPECIFIED |                  |  REGAL - BELOIT CORPORATION | DRAWN PGK 06-04-1997          |                     |      |
|--|--|----------------|-----|-----------------------------|------------------|--|-------------------------------|---------------------|------|
| NO.  | REVISION                                   | BY & DATE      | CHK | ANG                         | ±                |  | UNIT                          | SCALE               |      |
| E  | CORRECTED IEC MARKINGS ECD-0111208         | WGJ 01-23-2017 | EMH | DEC.                        |                  | INCHES   | CHK                           | ML 06-05-1997       |      |
| D  | RE-DRAWN WITH REGAL LOGO ECD-0110493       | WGJ 09-30-2016 | EMH | .X                          | ±.1              |  | APPD                          | GK 06-15-1997       |      |
| 8  | ADDED IEC DESIGNATIONS MU95020             | TJW 4/30/2010  | MJS | .XX                         | ±.02             |  | TITLE CONNECTION DIAGRAM      |                     |      |
| 7  | REVISED HIGH VOLTAGE L2 WAS L3 CN52600-354 | MRB 09-21-1998 |     | .XXX                        | ±.005            |  | REF DELTA CON. - 3Ø - 9 LEADS |                     |      |
| 6  | REDRAWN ON CADD                            | PGK 06-05-1997 |     | .XXXX                       | ±.0005           |  | FMF                           |                     |      |
|  |  |                |     |                             | ±7'30"           |  | PREV                          |                     |      |
| THIS DRAWING IN DESIGN AND DETAIL IS OUR PROPERTY AND MUST NOT BE USED EXCEPT IN CONNECTION WITH OUR WORK ALL RIGHTS OF DESIGN AND INVENTION ARE RESERVED THIS IS AN ELECTRONICALLY GENERATED DOCUMENT - DO NOT SCALE THIS PRINT |  |                |     | RFP                         | CAD FILE EE7308K |  | SIZE                          | DRAWING NO. PAGE OF | REV. |
|  |  |                |     | DIST                        |                  |  | A                             | EE7308K             | E    |



**P.O. BOX 8003  
WAUSAU, WI 54401-8003  
PH. 715-675-3311**

**CERTIFICATION DATA SHEET**

**CUSTOMER:**

**CUSTOMER PO#:**

**ORDER #:**

**MODEL #:** 256TTDBD6037 AA

**CONN. DIAGRAM:** EE7308K

**CUSTOMER PART #:**

**OUTLINE:** SS620825-256

**MOUNTING:** F1/F2 CAPABLE

**WINDING #:** HE31604015 2

**TYPICAL MOTOR PERFORMANCE DATA**

| HP    | kW        | SYNC. RPM | F.L. RPM  | FRAME | ENCLOSURE | KVA CODE | DESIGN |
|-------|-----------|-----------|-----------|-------|-----------|----------|--------|
| 20&15 | 14.9&11.2 | 1800      | 1770&1474 | 256JP | DP        | G        | B      |

| PH | Hz    | VOLTS           | AMPS              | START TYPE       | DUTY       | INSL | S.F.      | AMB°C |
|----|-------|-----------------|-------------------|------------------|------------|------|-----------|-------|
| 3  | 60/50 | 230/460&190/380 | 48.5/24.3&45/22.4 | LINE OR INVERTER | CONTINUOUS | F7   | 1.15/1.15 | 40    |

| FULL LOAD EFF: | 93&92.4 | 3/4 LOAD EFF: | 93   | 1/2 LOAD EFF: | 92.4 | GTD. EFF | ELEC. TYPE        |
|----------------|---------|---------------|------|---------------|------|----------|-------------------|
| FULL LOAD PF:  | 83.5&83 | 3/4 LOAD PF:  | 79.5 | 1/2 LOAD PF:  | 69.5 | 92.4     | SQ CAGE INV RATED |

| F.L. TORQUE | LOCKED ROTOR AMPS | L.R. TORQUE     | B.D. TORQUE     | F.L. RISE°C |
|-------------|-------------------|-----------------|-----------------|-------------|
| 59.4 LB-FT  | 288 / 144         | 118 LB-FT 199 % | 146 LB-FT 246 % | 45          |

| SOUND PRESSURE @ 3 FT. | SOUND POWER | ROTOR WK^2  | MAX. WK^2   | SAFE STALL TIME | STARTS / HOUR | APPROX. MOTOR WGT |
|------------------------|-------------|-------------|-------------|-----------------|---------------|-------------------|
| 74 dBA                 | 84 dBA      | 2.8 LB-FT^2 | 125 LB-FT^2 | 20 SEC.         | 2             | 325 LBS.          |

**\*\*\* SUPPLEMENTAL INFORMATION \*\*\***

| DE BRACKET TYPE | ODE BRACKET TYPE | MOUNT TYPE | ORIENTATION | SEVERE DUTY | HAZARDOUS LOCATION | DRIP COVER | SCREENS | PAINT         |
|-----------------|------------------|------------|-------------|-------------|--------------------|------------|---------|---------------|
| C-FACE          | STANDARD         | RIGID      | HORIZONTAL  | FALSE       | NONE               | FALSE      | NONE    | BLUE (ENAMEL) |

| BEARINGS |      | GREASE     | SHAFT TYPE | SPECIAL DE | SPECIAL ODE | SHAFT MATERIAL          | FRAME MATERIAL |
|----------|------|------------|------------|------------|-------------|-------------------------|----------------|
| DE       | ODE  |            |            |            |             |                         |                |
| BALL     | BALL | POLYREX EM | JP         | NONE       | NONE        | 1045 HOT ROLLED (C-204) | ROLLED STEEL   |
| 6309     | 6208 |            |            |            |             |                         |                |

| THERMO-PROTECTORS |            |          |          | THERMISTORS | CONTROL | SPACE HEATERS |
|-------------------|------------|----------|----------|-------------|---------|---------------|
| THERMOSTATS       | PROTECTORS | WDG RTDs | BRG RTDs |             |         |               |
| NONE              | NOT        | NONE     | NONE     | NONE        | FALSE   | NONE VOLTS    |

\*  
N  
O  
T  
E  
S  
\*

|  |
|--|
| <b>INVERTER</b><br>TORQUE: CONSTANT 2:1/VARIABLE 20:1<br>INV. HP SPEED RANGE: NONE |
| <b>ENCODER:</b> NONE<br>NONE NONE<br>NONE NONE PPR                                 |
| <b>BRAKE:</b> NONE NONE<br>NONE P/N NONE<br>NONE NONE<br>NONE FT-LB NONE V NONE Hz |

**PREPARED BY:** Fareeda Dudekula  
**DATE:** 05/04/2018 07:29:20 AM  
FORM 3531 REV.3 02/07/99  
\*\* Subject to change without notice.

Data Sheet

Date: 12/2/2021  
 Customer: \_\_\_\_\_  
 Attention: \_\_\_\_\_  
 Submitted by: \_\_\_\_\_



256TTDBD6037

Submittal

Data @ **460** V

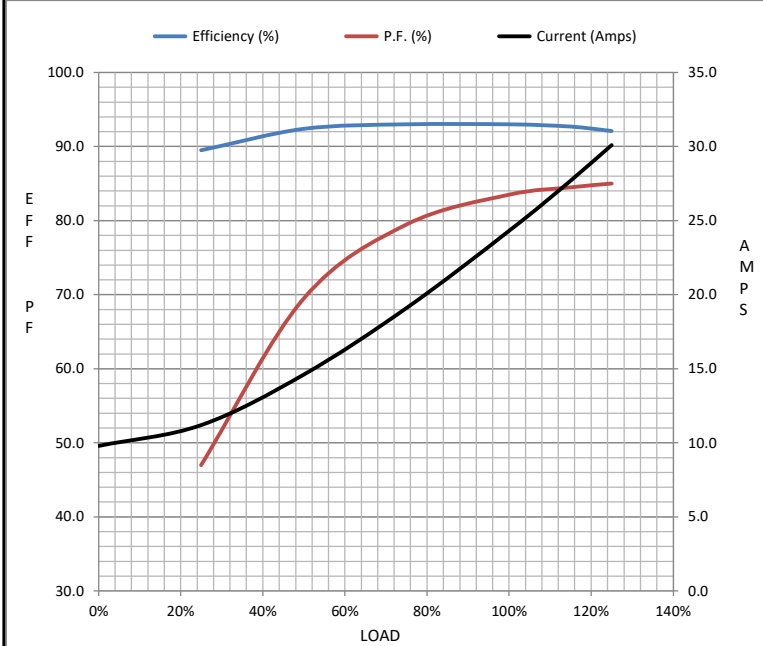
Motor Load Data

| Load           | 0%   | 25%  | 50%  | 75%  | 100% | 115%  | 125% | LR   |
|----------------|------|------|------|------|------|-------|------|------|
| Current (Amps) | 9.8  | 11.2 | 14.6 | 19.1 | 24.3 | 27.7  | 30.1 | 145  |
| Torque (ft-lb) | 0.00 | 14.5 | 29.5 | 44.3 | 59.4 | 68.4  | 74.5 | 120  |
| RPM            | 1800 | 1793 | 1785 | 1778 | 1770 | 1,765 | 1762 | 0    |
| Efficiency (%) |      | 89.5 | 92.4 | 93.0 | 93.0 | 92.7  | 92.1 |      |
| P.F. (%)       | 5.0  | 47.0 | 69.5 | 79.5 | 83.5 | 84.5  | 85.0 | 43.0 |

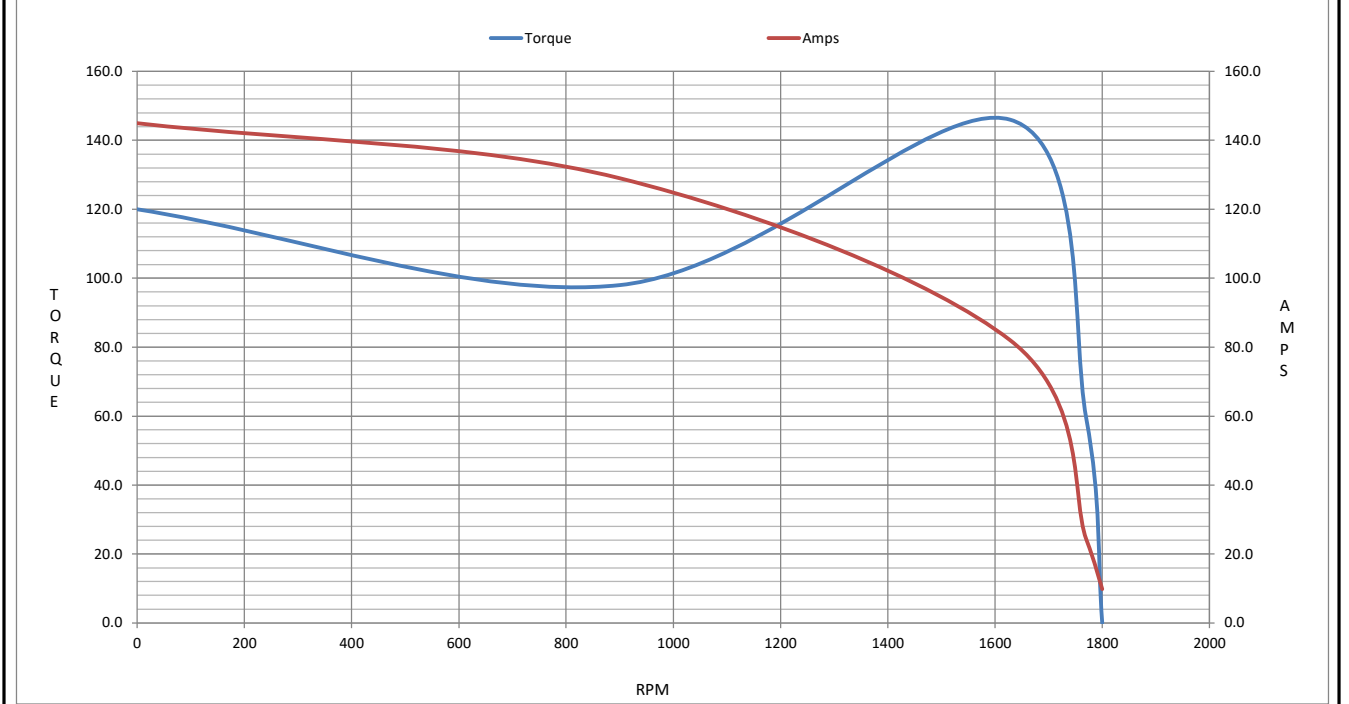
Motor Speed Data

|                | LR  | Pull-Up | BD   | Rated | Idle |
|----------------|-----|---------|------|-------|------|
| Speed (RPM)    | 0   | 900     | 1628 | 1770  | 1800 |
| Current (Amps) | 145 | 129     | 82.0 | 24.3  | 9.8  |
| Torque (ft-lb) | 120 | 98.0    | 146  | 59.4  | 0.00 |

| Information Block           |                            |        |        |         |
|-----------------------------|----------------------------|--------|--------|---------|
| HP                          | 20.0                       |        |        |         |
| Sync. RPM                   | 1800                       |        |        |         |
| Frame                       | 256                        |        |        |         |
| Enclosure                   | DP                         |        |        |         |
| Construction                | TDB                        |        |        |         |
| Voltage                     | 230/460#190/380 V          |        |        |         |
| Frequency                   | 60 Hz                      |        |        |         |
| Design                      | B                          |        |        |         |
| LR Code letter              | G                          |        |        |         |
| Service Factor              | 1.15                       |        |        |         |
| Temp Rise @ FL              | 45 ° C                     |        |        |         |
| Duty                        | CONT                       |        |        |         |
| Ambient                     | 40 ° C                     |        |        |         |
| Elevation                   | 3,300 feet                 |        |        |         |
| Rotor/Shaft wk <sup>2</sup> | 2.80 Lb-F <sup>2</sup>     |        |        |         |
| Ref Wdg                     | HA31604020 NONE            |        |        |         |
| Sound Pressure @ 1M         | 74 dBA                     |        |        |         |
| VFD Rating                  | CONSTANT 2:1/VARIABLE 20:1 |        |        |         |
| Outline Dwg                 | SS620825-200               |        |        |         |
| Conn. Diag                  | EE7308K                    |        |        |         |
| Additional Specifications:  |                            |        |        |         |
| 0                           |                            |        |        |         |
| 0                           |                            |        |        |         |
| EQUIV CKT (OHMS / PHASE)    |                            |        |        |         |
| R1                          | R2                         | X1     | X2     | Xm      |
| 0.3380                      | 0.1920                     | 1.0680 | 1.2350 | 27.3210 |



Speed - Torque Curve



## EC Declaration of Conformity

The undersigned representing  
the manufacturer:

Regal Beloit America  
100 East Randolph St.  
Wausau, WI 54401

and the authorized representative  
established within the Community:

Marathon Electric UK  
6F Thistleton Road Ind. Estate  
Market Overton  
Oakham, Rutland LE15 7PP UK

are committed to providing customers with products that comply with applicable regulations and international protocols to which they are subject, including the requirements of the European Parliament Directive on the Harmonization of the laws relating to electrical equipment designed for use within certain voltage limits (2014/35/EU).

Regal Beloit America declares that the following product(s), to which this declaration relates, are in conformity with the relevant sections of the EC standards listed below.

This statement supersedes any statements previously issued pertaining to the product(s) listed below and is subject to change without notice.

Model No : 256TTDBD6037

(Model No. may contain prefix and/or suffix characters)

Catalog No : GT2462

Rework No : N/A

Directives :

Low Voltage Directive 2014/35/EU

Harmonized Standards Used :

EN 60034-1: 2010 (IEC 60034-1: 2010)

EN 60034-5: 2001/A1:2007 (IEC 60034-5: 2000/A1:2006)

Authorized Representative:



Michael A. Logsdon  
Vice President, Technology

Authorized Representative in the Community:



Julian Clark  
Marketing Engineer

Created on 09/01/2022

**CE 22**