

PRODUCT INFORMATION PACKET

marathon[®]
Motors

Model No: 256TTDBD6000
Catalog No: GT0864
25,3600,DP,256T,3/60/200

Miscellaneous

Regal and Marathon are trademarks of Regal Rexnord Corporation or one of its affiliated companies.
©2021 Regal Rexnord Corporation, All Rights Reserved. MC017097E

The logo for Regal Rexnord, featuring a stylized 'R' icon followed by the text 'RegalRexnord'.

Nameplate Specifications

Technical Specifications

Connection Drawing

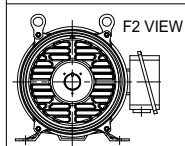
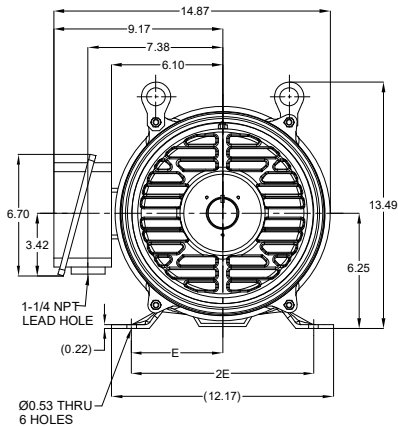
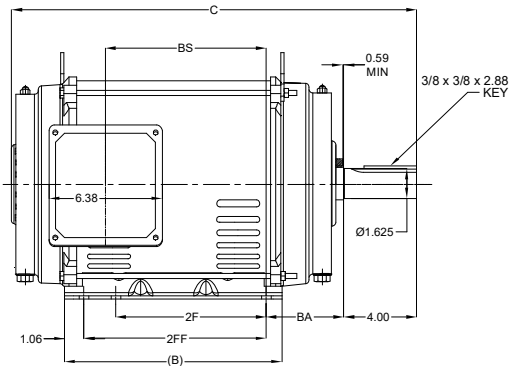
EE7300U

Outline Drawing

SS620685-200

This is an uncontrolled document once printed or downloaded and is subject to change without notice. Date Created:12/30/2021


DASH NO.	B	C	E	2E	2F	2FF	BA	BS	MOUNTING	FRAME
100	11.93	22.64	5.00	10.00	8.25	10.00	4.25	9.15	F1 OR F2	254T
200		24.22						10.71		256T



DRAWING REVISION B	REVISION BY BISWA	REV DATE / © DATE 03/03/2021
ECD CR-0001444	APPROVED BY GNK	DATE 03/03/2021
ECD DESCRIPTION DRAWING UPDATED		
<small> COPYRIGHT (P) & REGISTERED (R) REGAL BELT AMERICA, INC. ALL RIGHTS RESERVED. NO PARTS MAY BE REPRODUCED OR TRANSMITTED IN ANY FORM OR BY ANY MEANS, ELECTRONIC OR MECHANICAL, WITHOUT PERMISSION IN WRITING FROM REGAL BELT AMERICA, INC. FORNERS AND CONTAINS OWNERS PROPRIETARY INFORMATION. ANY PERSONAL COPIES OR USE OF THIS DRAWING IS STRICTLY PROHIBITED. TO AGREE THAT IT AND/OR ANY PART OF IT SHALL NOT BE DISCLOSED TO ANY PERSON, CORPORATION OR OTHER ENTITY, UNLESS IT IS APPROVED IN WRITING BY REGAL BELT AMERICA, INC. AS EXPRESSLY APPROVED IN WRITING IN ADVANCE BY OWNER. THIS DOCUMENT SHALL BE RETURNED TO OWNER UPON REQUEST. IT MAY BE SUBJECT TO CHANGE WITHOUT NOTICE UNDER APPLICABLE EXPORT CONTROL LAWS AND REGULATIONS. </small>		

PRIMARY DIMENSIONS ARE INCH
ITEM DIMENSIONS IN (BRACKETS)
ARE FOR REFERENCE ONLY

DRAWN BY XZ	DATE 25/02/2016
APPROVED BY	DATE
REFERENCE	THIRD ANGLE PROJECTION

 Regal Beloit America, Inc.

DESCRIPTION
OUTLINE
254/256T FR NEMA ODP RS

MATERIAL	PROCESS/FINISH
SIZE B	DRAWING NUMBER SS620685

SHEET
1 OF 1

IF MOTOR HAS 9 LEADS



IF MOTOR HAS 6 LEADS



A-9806 DECAL IF CALLED FOR

IF MOTOR HAS 12 LEADS



VIEW OF TERMINAL END

DRAWING REVISION L	REVISION BY AJW	DATE 05-04-2015	TOLERANCES UNLESS OTHERWISE SPECIFIED:	DRAWN BY DRS	Regal Beloit America, Inc.																					
ECO ECO-0077067	APPROVED BY EWH	DATE 05-05-2015	<table style="font-size: small; border-collapse: collapse;"> <tr> <td><u>DEC.</u></td> <td><u>INCH</u></td> <td><u>mm</u></td> <td><u>ANGLE</u></td> </tr> <tr> <td>.X</td> <td>±0.1</td> <td>[±2.5]</td> <td>±7' 30"</td> </tr> <tr> <td>.XX</td> <td>±0.02</td> <td>[±0.51]</td> <td></td> </tr> <tr> <td>.XXX</td> <td>±0.005</td> <td>[±0.127]</td> <td></td> </tr> <tr> <td>.XXXX</td> <td>±0.0005</td> <td>[±0.0127]</td> <td></td> </tr> </table>	<u>DEC.</u>			<u>INCH</u>	<u>mm</u>	<u>ANGLE</u>	.X	±0.1	[±2.5]	±7' 30"	.XX	±0.02	[±0.51]		.XXX	±0.005	[±0.127]		.XXXX	±0.0005	[±0.0127]		DATE 09-27-1996
<u>DEC.</u>	<u>INCH</u>	<u>mm</u>	<u>ANGLE</u>																							
.X	±0.1	[±2.5]	±7' 30"																							
.XX	±0.02	[±0.51]																								
.XXX	±0.005	[±0.127]																								
.XXXX	±0.0005	[±0.0127]																								
ECO DESCRIPTION UPDATED TO SOLIDWORKS <small>COPYRIGHT REGAL BELOIT AMERICA, INC. ALL RIGHTS RESERVED. PROPRIETARY AND CONFIDENTIAL INFORMATION - THIS DOCUMENT IS THE PROPERTY OF REGAL BELOIT AMERICA, INC. ("OWNER") AND CONTAINS OWNER'S PROPRIETARY INFORMATION. ANY PERSON, CORPORATION OR OTHER FIRM RECEIVING IT IS DEEMED, BY RECEIVING IT, TO AGREE THAT IT, AND/OR ANY PART OF IT, SHALL NOT BE DISCLOSED TO ANY PERSON, CORPORATION OR OTHER ENTITY, DUPLICATED, AND/OR USED, EXCEPT AS EXPRESSLY APPROVED IN WRITING IN ADVANCE BY OWNER. THIS DOCUMENT SHALL BE RETURNED TO OWNER UPON REQUEST. IT MAY BE SUBJECT TO CERTAIN RESTRICTIONS UNDER APPLICABLE EXPORT CONTROL LAWS AND REGULATIONS.</small>			APPROVED BY GK	MATERIAL _____ PROCESS/FINISH _____																						
			DATE 09-30-1996			REFERENCE	SIZE A	DRAWING NUMBER EE7300U	SHEET 1 OF 1																	
			REMOVE BURRS & BREAK SHARP EDGES: .003/.015 [.076/.381] X 45° CORNER FILLETS: R.02 [.51] MACHINED SURFACES: 200 INCH $\sqrt{\text{mm}}$ 5.1 mm SHOWN IN [BRACKETS]	THIRD ANGLE PROJECTION																						