

PRODUCT INFORMATION PACKET

Model No: 256THTNA7026

Catalog No: Y552

Black Max® Inverter Duty Speed Ratio Motor, 20 HP, 3 Ph, 60 Hz, 230/460 V, 1800 RPM, 256TC Frame,
TENV



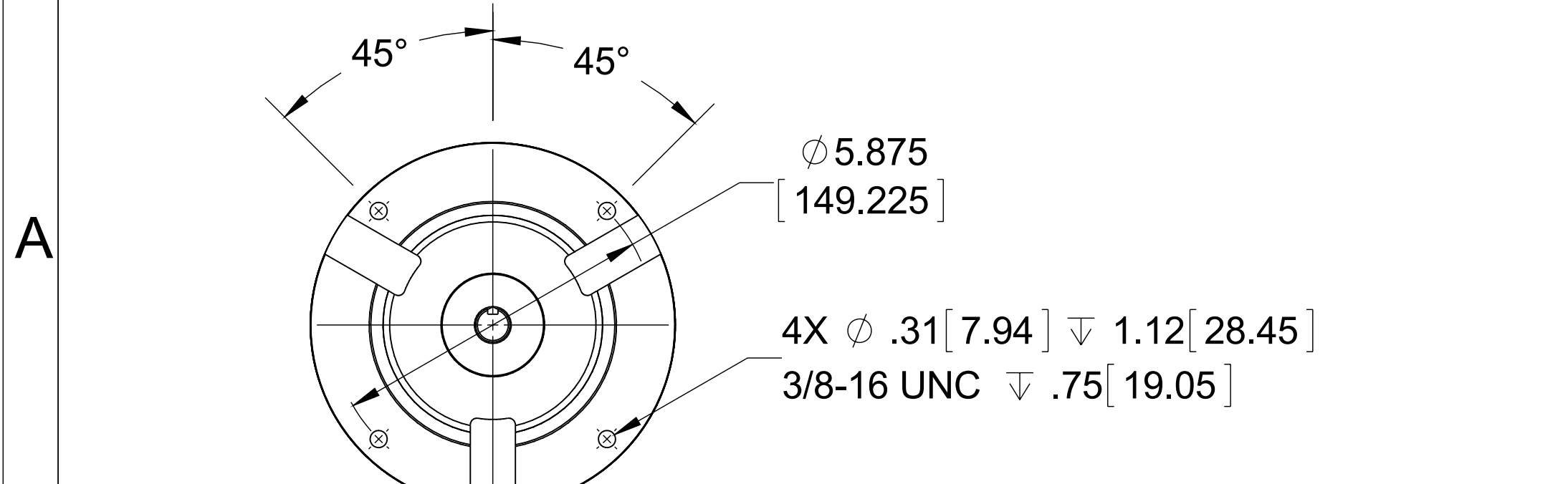
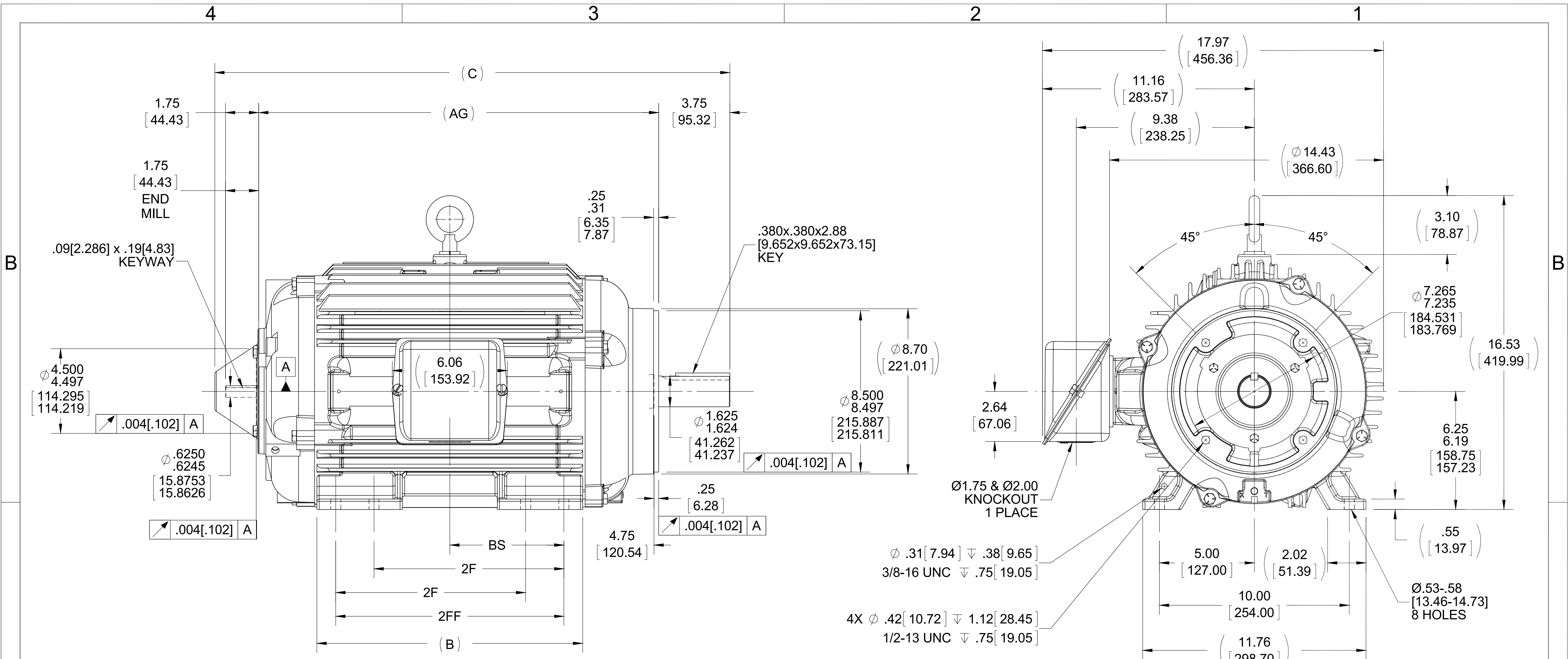
Regal and Marathon are trademarks of Regal Rexnord Corporation or one of its affiliated companies.
©2022 Regal Rexnord Corporation, All Rights Reserved. MC017097E

Nameplate Specifications

Output HP	20 Hp	Output KW	14.9 kW
Frequency	60 Hz	Voltage	230/460 V
Current	52.0/26.0 A	Speed	1770 rpm
Service Factor	1	Phase	3
Efficiency	93.6 %	Power Factor	77
Duty	Continuous	Insulation Class	F
Design Code	INV	KVA Code	N
Frame	256TC	Enclosure	Totally Enclosed Non Ventilated
Thermal Protection	No Protection	Ambient Temperature	40 °C
Drive End Bearing Size	6309	Opp Drive End Bearing Size	6210
UL	Recognized	CSA	Y
CE	Y	IP Code	43
Number of Speeds	1		

Technical Specifications

Electrical Type	Squirrel Cage Inverter Duty	Starting Method	Inverter Only
Poles	4	Rotation	Reversible
Resistance Main	.29 Ohms	Mounting	Rigid Base
Motor Orientation	Horizontal	Drive End Bearing	Ball
Opp Drive End Bearing	Ball	Frame Material	Cast Iron
Shaft Type	T	Overall Length	27.13 in
Frame Length	14.25 in	Shaft Diameter	1.625 in
Shaft Extension	3.75 in	Assembly/Box Mounting	F1/F2 Capable
Inverter Load	CONSTANT 1000:1		
Connection Drawing	A-EE7308T	Outline Drawing	B-SS203839-1425



NOTES:
 1. CONDUIT BOX CAN BE ROTATED IN 90° STEPS.
 2. NAMEPLATE TO BE READ FROM CONDUIT BOX SIDE OF MOTOR.
 3. MOTOR HAS F2 CAPABILITY.

DRAWING REVISION J	REVISION BY W. JOERGER	DATE 08-01-2015
ECO ECO-0082432	APPROVED BY E. HEIL	DATE 08-01-2015
ECO DESCRIPTION CORRECTED 'BS' DIM- WAS 4.75		
<small>COPYRIGHT REGAL BELOIT AMERICA, INC. ALL RIGHTS RESERVED. PROPRIETARY AND CONFIDENTIAL INFORMATION - THIS DOCUMENT IS THE PROPERTY OF REGAL BELOIT AMERICA, INC. ("OWNER") AND CONTAINS OWNER'S PROPRIETARY INFORMATION. ANY PERSON, CORPORATION OR OTHER FIRM RECEIVING IT IS DEEMED, BY RECEIVING IT, TO AGREE THAT IT, AND/OR ANY PART OF IT, SHALL NOT BE DISCLOSED TO ANY PERSON, CORPORATION OR OTHER ENTITY, DUPLICATED, AND/OR USED, EXCEPT AS EXPRESSLY APPROVED IN WRITING IN ADVANCE BY OWNER. THIS DOCUMENT SHALL BE RETURNED TO OWNER UPON REQUEST. IT MAY BE SUBJECT TO CERTAIN RESTRICTIONS UNDER APPLICABLE EXPORT CONTROL LAWS AND REGULATIONS.</small>		

TOLERANCES UNLESS OTHERWISE SPECIFIED:			
DEC.	INCH	mm	ANGLE
.X	± 0.1	$[\pm 2.5]$	$\pm 7' 30''$
.XX	± 0.03	$[\pm 0.76]$	
.XXX	± 0.005	$[\pm 0.127]$	
.XXXX	± 0.0005	$[\pm 0.0127]$	
REMOVE BURRS & BREAK SHARP EDGES: $.003/.015 [0.076/.381] \times 45^\circ$			
CORNER FILLETS: R.02 [51]			
MACHINED SURFACES: 200 INCH/mm 5.1			
mm SHOWN IN [BRACKETS]			

DRAWN BY CTO
DATE 01-02-2004
APPROVED BY TB
DATE 01-06-2004
REFERENCE
THIRD ANGLE PROJECTION

REGAL ™ Regal Beloit America, Inc.	
DESCRIPTION OUTLINE	
250TC FR. - TENV - C'FACE - STL. C'BOX - BB	
MATERIAL	PROCESS/FINISH
SIZE B	DRAWING NUMBER SS203839
	SHEET 1 OF 1

DASH	FRAME	C	AG	B	2F	2FF	BS
1425	256TC	27.13 [689.10]	21.07 [535.18]	14.00 [355.60]	10.00 [254.00]	---	6.01 [152.65]

HIGH VOLTAGE



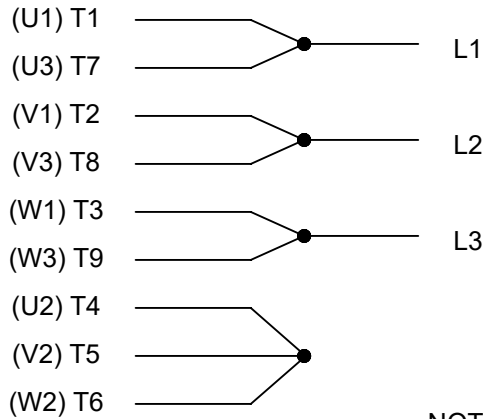
**THREE PHASE
DUAL VOLTAGE MOTOR**

THERMO-PROTECTORS
CONNECTED IN SERIES



NOTE FOR FACTORY USE ONLY:
TO SURGE TEST FOR COMMON CONNECT:
HIGH VOLT: CONNECT P1 TO T1
THEN P2 TO L1
LOW VOLT: CONNECT P1 TO T1 & T7,
THEN P2 TO L1

LOW VOLTAGE



VIEW OF TERMINAL END

NOTE: LEAD'S COLOR CAN BE YELLOW OR WHITE FOR MT2 PLANT

DRAWING REVISION T	REVISION BY ZR	DATE 01-14-2019		DRAWN BY SMC	Regal Beloit America, Inc.
ECO ECO-0159915	APPROVED BY DR	DATE 01-15-2019		DATE 05-13-1992	
ECO DESCRIPTION ADDED TERMINAL CONNECTION DIAGRAM				APPROVED BY TB	DESCRIPTION CONN DIAGRAM-INTERNAL 3 PHASE - DUAL VOLTAGE MOTOR
<small>COPYRIGHT REGAL BELOIT AMERICA, INC. ALL RIGHTS RESERVED. PROPRIETARY AND CONFIDENTIAL INFORMATION - THIS DOCUMENT IS THE PROPERTY OF REGAL BELOIT AMERICA, INC. ("OWNER") AND CONTAINS OWNER'S PROPRIETARY INFORMATION. ANY PERSON, CORPORATION OR OTHER FIRM RECEIVING IT IS DEEMED, BY RECEIVING IT, TO AGREE THAT IT, AND/OR ANY PART OF IT, SHALL NOT BE DISCLOSED TO ANY PERSON, CORPORATION OR OTHER ENTITY, DUPLICATED, AND/OR USED, EXCEPT AS EXPRESSLY APPROVED IN WRITING IN ADVANCE BY OWNER. THIS DOCUMENT SHALL BE RETURNED TO OWNER UPON REQUEST. IT MAY BE SUBJECT TO CERTAIN RESTRICTIONS UNDER APPLICABLE EXPORT CONTROL LAWS AND REGULATIONS.</small>			DATE 05-13-1992	MATERIAL	PROCESS/FINISH
			REFERENCE EE7308/EE7300	THIRD ANGLE PROJECTION	SIZE A

CERTIFICATION DATA SHEET

Model#: 256THTNA7026 EC WINDING#: K2564267 NONE 1
 CONN. DIAGRAM: A-EE7308T ASSEMBLY: F1/F2 CAPABLE
 OUTLINE: B-SS203839-1425

TYPICAL MOTOR PERFORMANCE DATA

HP	KW	SYNC. RPM	F.L. RPM	FRAME	ENCLOSURE	KVA CODE	DESIGN
20	14.9	1800	1770	256TC	TENV	N	INV

PH	Hz	VOLTS	FL AMPS	START TYPE	DUTY	INSL	S.F	AMB°C	ELEVATION
3	60	230/460	52/26	INVERTER ONLY	CONTINUOUS	F3	1.0	40	3300

FULL LOAD EFF: 93.6	3/4 LOAD EFF: 93.6	1/2 LOAD EFF: 93	GTD. EFF	ELEC. TYPE	NO LOAD AMPS
FULL LOAD PF: 77	3/4 LOAD PF: 70	1/2 LOAD PF: 57	93	SQ CAGE INV DUTY	29 / 14.5

F.L. TORQUE	LOCKED ROTOR AMPS	L.R. TORQUE	B.D. TORQUE	F.L. RISE°C
59.5 LB-FT	600 / 300	200 LB-FT 336	325 LB-FT 546	90

SOUND PRESSURE @ 3 FT.	SOUND POWER	ROTOR WK^2	MAX. WK^2	SAFE STALL TIME	STARTS /HOUR	APPROX. MOTOR WGT
62 dBA	72 dBA	3.7 LB-FT^2	- LB-FT^2	- SEC.	-	300 LBS.

EQUIVALENT WYE CKT.PARAMETERS (OHMS PER PHASE)

R1	R2	X1	X2	XM
0.2201	0.1917	0.6745	0.68444	18.2044

RM	ZREF	XR	TD	TD0
1689.8	14.2	3.4	0.01	0.26

*** SUPPLEMENTAL INFORMATION ***

DE BRACKET TYPE	ODE BRACKET TYPE	MOUNT TYPE	ORIENTATION	SEVERE DUTY	HAZARDOUS LOCATION	DRIP COVER	SCREENS	PAINT
C-FACE	BRAKE OR ENCODER	RIGID	HORIZONTAL	FALSE	NONE	FALSE	NONE	BLACK (ENAMEL)

BEARINGS		GREASE	SHAFT TYPE	SPECIAL DE	SPECIAL ODE	SHAFT MATERIAL	FRAME MATERIAL
DE	OPE						
BALL	BALL	POLYREX EM	T	NONE	NONE	1045 HOT ROLLED (C-204)	CAST IRON
6309	6210						

THERMO-PROTECTORS				THERMISTORS	CONTROL	SPACE /n HEATERS
THERMOSTATS	PROTECTORS	WDG RTDs	BRG RTDs			
TSTATS (N/C)	NOT	NONE	NONE	NONE	FALSE	NONE VOLTS

If Inverter equals NONE, contact factory for further information

INVERTER TORQUE: CONSTANT 1000:1 INV. HP SPEED RANGE: 2.0 X BASE SPEED
ENCODER: PROVISIONS ONLY NORTHSTAR ST56 NONE NONE PPR
BRAKE: PROVISIONS ONLY NONE STEARNS P/N NONE

*
N
O
T
E
S
*

Uncontrolled Copy

56,000	NONE	
10 FT-LB	NONE V	NONE Hz

DATE: 06/23/2017 04:58:12 AM
FORM 3531 REV.3 02/07/99
** Subject to change without notice.

Data Sheet

Date: 6/20/2017

256THTNA7026

Customer: _____



Attention: _____

Submittal

Submitted by: FAREEDA DUDEKULA

Data @ 460 V

Motor Load Data

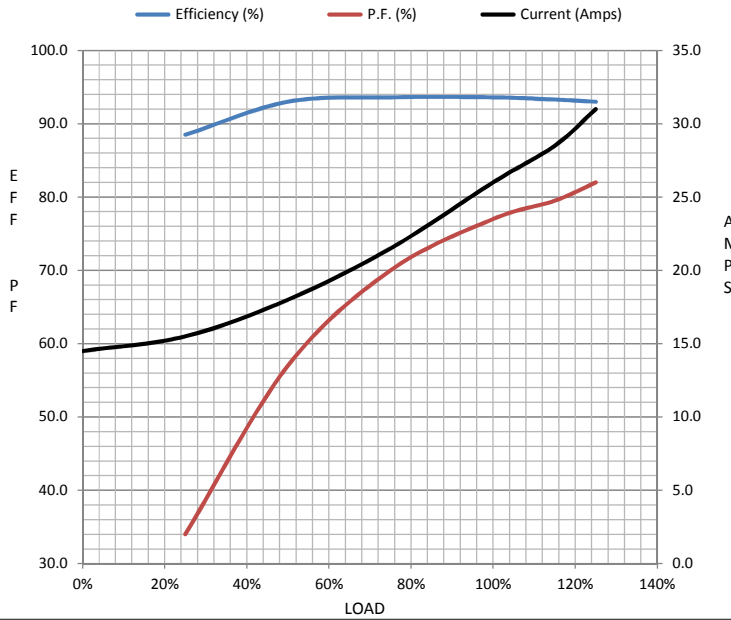
Load	0%	25%	50%	75%	100%	115%	125%	LR
Current (Amps)	14.5	15.5	18.0	21.5	26.0	28.5	31.0	300
Torque (ft-lb)	0.00	14.6	29.5	44.5	59.5	67.0	74.5	200
RPM	1800	1792	1785	1778	1770	1,766	1760	0
Efficiency (%)		88.5	93.0	93.6	93.6	93.3	93.0	
P.F. (%)	3.5	34.0	57.0	70.0	77.0	79.5	82.0	41.0

Motor Speed Data

	LR	Pull-Up	BD	Rated	Idle
Speed (RPM)	0	700	1550	1770	1800
Current (Amps)	300	275	175	26.0	14.5
Torque (ft-lb)	200	175	325	59.5	0.00

Information Block

HP	20.0
Sync. RPM	1800
Frame	256
Enclosure	TENV
Construction	TTN
Voltage	230/460 V
Frequency	60 Hz
Design	A
LR Code letter	N
Service Factor	1.0
Temp Rise @ FL	95 °C
Duty	CONT
Ambient	40 °C
Elevation	1,000 feet
Rotor/Shaft wk ²	3.7 Lb-Ft ²
Ref Wdg	K2564267 NONE
Sound Pressure @ 1M	62 dBA
VFD Rating	CONSTANT 1000:1
Outline Dwg	B-SS203839-1425
Conn. Diag	A-EE7308T



Additional Specifications:

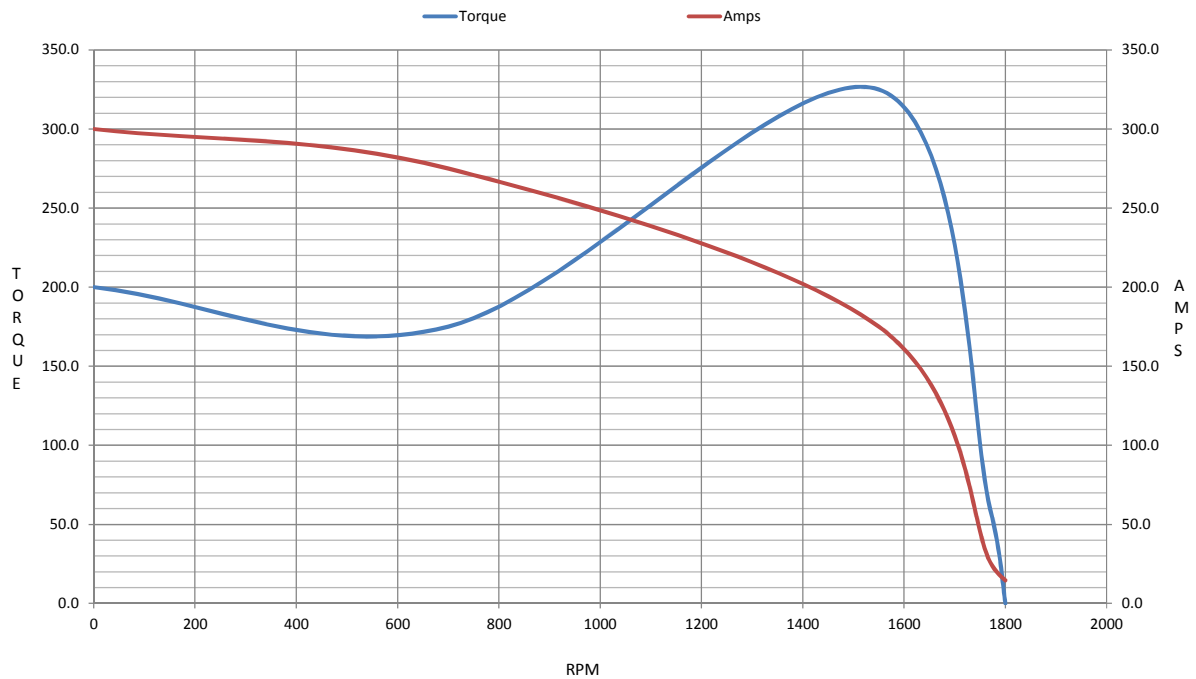
0

0

EQUIV CKT (OHMS / PHASE)

R1	R2	X1	X2	Xm
0.2200	0.1920	0.6750	0.6840	18.2040

Speed -Torque Curve



EC Declaration of Conformity

The undersigned representing
the manufacturer:

Regal Beloit America
100 East Randolph St.
Wausau, WI 54401

and the authorized representative
established within the Community:

Marathon Electric UK
6F Thistleton Road Ind. Estate
Market Overton
Oakham, Rutland LE15 7PP UK

are committed to providing customers with products that comply with applicable regulations and international protocols to which they are subject, including the requirements of the European Parliament Directive on the Harmonization of the laws relating to electrical equipment designed for use within certain voltage limits (2014/35/EU).

Regal Beloit America declares that the following product(s), to which this declaration relates, are in conformity with the relevant sections of the EC standards listed below.

This statement supersedes any statements previously issued pertaining to the product(s) listed below and is subject to change without notice.

Model No : 256THTNA7026

(Model No. may contain prefix and/or suffix characters)

Catalog No : Y552

Rework No : N/A

Directives :

Low Voltage Directive 2014/35/EU

Harmonized Standards Used :

EN 60034-1: 2010 (IEC 60034-1: 2010)

EN 60034-5: 2001/A1:2007 (IEC 60034-5: 2000/A1:2006)

Authorized Representative:



Michael A. Logsdon
Vice President, Technology

Authorized Representative in the Community:



Julian Clark
Marketing Engineer

Created on 09/01/2022

CE 22