

PRODUCT INFORMATION PACKET

Model No: 256THFNA9001
Catalog No: W551
20 HP, Severe Duty Motors, 3 phase, 3600 RPM, 460 V, 256T Frame, TEFC
Severe Duty Motors



Regal and Marathon are trademarks of Regal Rexnord Corporation or one of its affiliated companies.
©2021 Regal Rexnord Corporation, All Rights Reserved. MC017097E



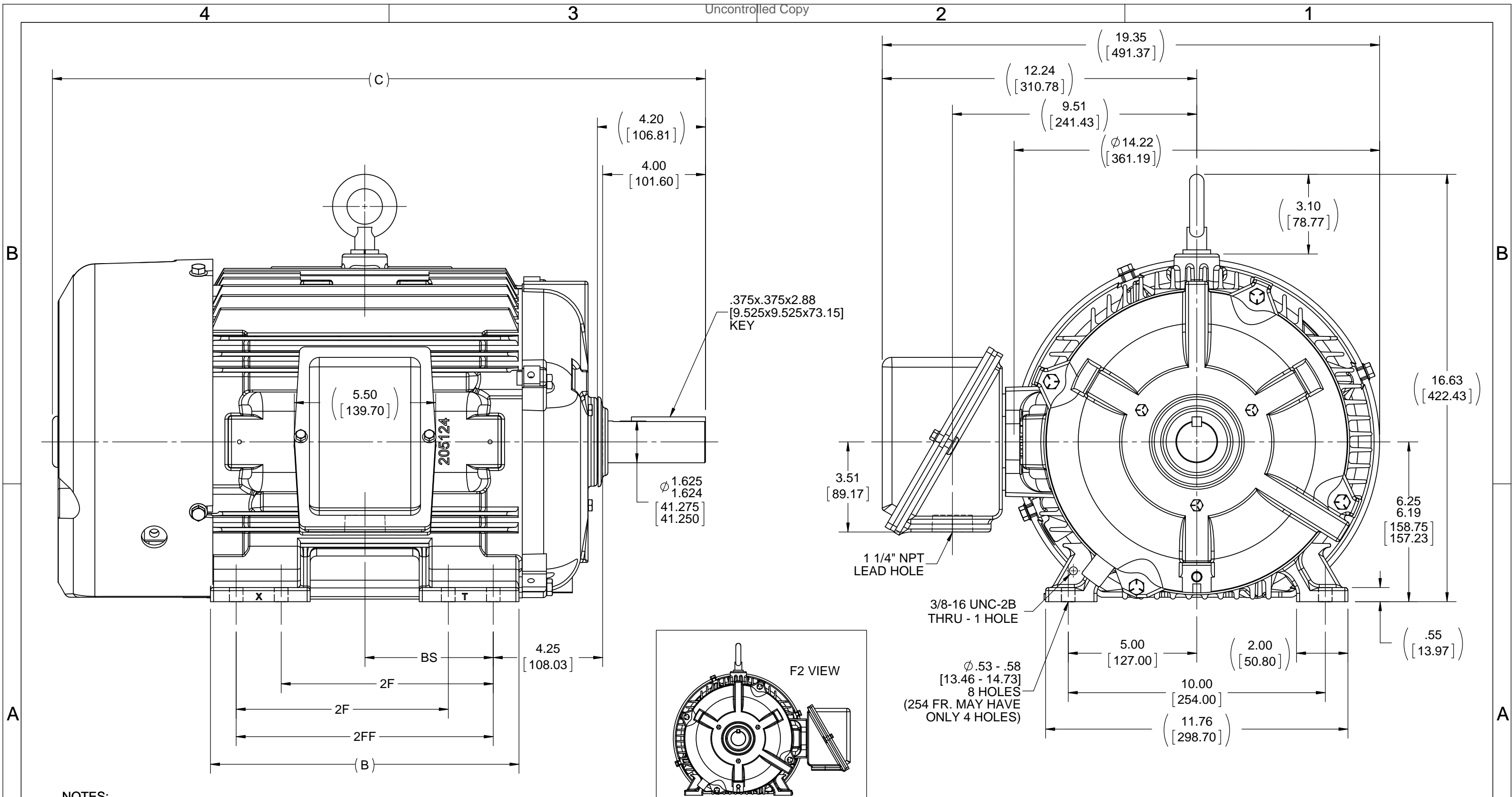
Nameplate Specifications

Output HP	20 Hp	Output KW	14.9 kW
Frequency	60 Hz	Voltage	460 V
Current	23.4 A	Speed	3537 rpm
Service Factor	1.15	Phase	3
Efficiency	92.4 %	Power Factor	86
Duty	Continuous	Insulation Class	F
Design Code	B	KVA Code	G
Frame	256T	Enclosure	Totally Enclosed Fan Cooled
Thermal Protection	No	Ambient Temperature	40 °C
Drive End Bearing Size	6309	Opp Drive End Bearing Size	6210
UL	Recognized	CSA	Y
CE	Y	IP Code	56
Number of Speeds	1		

Technical Specifications

Electrical Type	Squirrel Cage Inverter Rated	Starting Method	Line Or Inverter
Poles	2	Rotation	Reversible
Resistance Main	.394 Ohms	Mounting	Rigid Base
Motor Orientation	Horizontal	Drive End Bearing	Ball
Opp Drive End Bearing	Ball	Frame Material	Cast Iron
Shaft Type	T	Overall Length	25.40 in
Frame Length	12.25 in	Shaft Diameter	1.625 in
Shaft Extension	4.2 in	Assembly/Box Mounting	F1/F2 Capable
Outline Drawing	B-SS203002-1225	Connection Drawing	A-EE7300

This is an uncontrolled document once printed or downloaded and is subject to change without notice. Date Created:11/30/2021



- NOTES:
 1. CONDUIT BOX CAN BE ROTATED ON ITS AXIS.
 2. CONDUIT BOX CAN BE MOUNTED ON OPPOSITE SIDE BY REMOVING BRACKETS AND TURNING FRAME 180°.
 3. NAMEPLATE TO BE READ FROM CONDUIT BOX SIDE OF MOTOR.

1050	254T	23.65 [600.71]	10.25 [260.35]	---	8.25 [209.55]	4.25 [107.95]
1225	254/256T	25.40 [645.16]	12.00 [304.80]	8.25 [209.55]	10.00 [254.00]	5.00 [127.00]
DASH	FRAME	C	B	2F	2FF	BS
		4				

DRAWING REVISION E	REVISION BY M GERTSCHEN	DATE 11-17-2016
ECO ECO-0112972	APPROVED BY T VUE	DATE 11-17-2016
ECO DESCRIPTION UPDATED TO CURRENT STANDARDS COPYRIGHT REGAL BELOIT AMERICA, INC. ALL RIGHTS RESERVED. PROPRIETARY AND CONFIDENTIAL INFORMATION - THIS DOCUMENT IS THE PROPERTY OF REGAL BELOIT AMERICA, INC. (OWNER) AND CONTAINS OWNER'S PROPRIETARY INFORMATION. ANY PERSON, CORPORATION OR OTHER FIRM RECEIVING IT IS DEEMED, BY RECEIVING IT, TO AGREE THAT IT, AND/OR ANY PART OF IT, SHALL NOT BE DISCLOSED TO ANY PERSON, CORPORATION OR OTHER ENTITY, DUPLICATED, AND/OR USED, EXCEPT AS EXPRESSLY APPROVED IN WRITING IN ADVANCE BY OWNER. THIS DOCUMENT SHALL BE RETURNED TO OWNER UPON REQUEST. IT MAY BE SUBJECT TO CERTAIN RESTRICTIONS UNDER APPLICABLE EXPORT CONTROL LAWS AND REGULATIONS.		

TOLERANCES UNLESS OTHERWISE SPECIFIED:

DEC.	INCH	mm	ANGLE
.X	±0.1	[±2.5]	±7° 30"
.XX	±0.03	[±0.76]	
.XXX	±0.005	[±0.127]	
.XXXX	±0.0005	[±0.0127]	

REMOVE BURRS & BREAK SHARP EDGES: .003/.015 [0.076/.381] X 45°
 CORNER FILLETS: R.02 [51]
 MACHINED SURFACES: 200 INCH 5.1 mm SHOWN IN [BRACKETS]

DRAWN BY TVUE
DATE 12-18-2013
APPROVED BY TBROWN
DATE 12-18-2013
REFERENCE
THIRD ANGLE PROJECTION

REGAL ™ Regal Beloit America, Inc.	
DESCRIPTION OUTLINE 250T FR. - TEFC - BB - STD.	
MATERIAL	PROCESS/FINISH
SIZE B	DRAWING NUMBER SS203002
	SHEET 1 OF 1

**THREE PHASE - SINGLE VOLTAGE
MOTOR - CONDUIT BOX @ 'A'**

**TO REVERSE ROTATION:
INTERCHANGE ANY TWO
LINE LEAD CONNECTIONS.**

TERMINAL BLOCK WHEN SPECIFIED



VIEW OF TERMINAL END

**IF MOTOR HAS
6 LEADS**



A-9806 DECAL

**OPTIONAL CORD
CONNECTION**



DRAWING REVISION AB	REVISION BY JJB	DATE 06-27-2017
ECO ECO-0125361	APPROVED BY TB	DATE 06-27-2017
ECO DESCRIPTION UPDATED TO CURRENT STANDARDS		
<small>COPYRIGHT REGAL BELOIT AMERICA, INC. ALL RIGHTS RESERVED. PROPRIETARY AND CONFIDENTIAL INFORMATION - THIS DOCUMENT IS THE PROPERTY OF REGAL BELOIT AMERICA, INC. ("OWNER") AND CONTAINS OWNER'S PROPRIETARY INFORMATION. ANY PERSON, CORPORATION OR OTHER FIRM RECEIVING IT IS DEEMED, BY RECEIVING IT, TO AGREE THAT IT, AND/OR ANY PART OF IT, SHALL NOT BE DISCLOSED TO ANY PERSON, CORPORATION OR OTHER ENTITY, DUPLICATED, AND/OR USED, EXCEPT AS EXPRESSLY APPROVED IN WRITING IN ADVANCE BY OWNER. THIS DOCUMENT SHALL BE RETURNED TO OWNER UPON REQUEST. IT MAY BE SUBJECT TO CERTAIN RESTRICTIONS UNDER APPLICABLE EXPORT CONTROL LAWS AND REGULATIONS.</small>		



DRAWN BY DA
DATE 03-26-1993
APPROVED BY TB
DATE 03-26-1993
REFERENCE
THIRD ANGLE PROJECTION

Regal Beloit America, Inc.		
		DESCRIPTION CONNECTION DIAGRAM EXTERNAL - SINGLE VOLTAGE - 3Ø MOTOR
MATERIAL	PROCESS/FINISH	
SIZE A	DRAWING NUMBER EE7300	SHEET 1 OF 1

CERTIFICATION DATA SHEET

Model#: 256THFNA9001 AE
CONN. DIAGRAM: A-EE7300
OUTLINE: B-SS203002-1225

WINDING#: K256288 NONE 7
ASSEMBLY: F1/F2 CAPABLE

TYPICAL MOTOR PERFORMANCE DATA

Table with 8 columns: HP, KW, SYNC. RPM, F.L. RPM, FRAME, ENCLOSURE, KVA CODE, DESIGN. Includes rows for PH, Hz, VOLTS, FL AMPS, START TYPE, DUTY, INSL, S.F, AMB°C, ELEVATION and various efficiency and torque metrics.

*** SUPPLEMENTAL INFORMATION ***

Table with 9 columns: DE BRACKET TYPE, ODE BRACKET TYPE, MOUNT TYPE, ORIENTATION, SEVERE DUTY, HAZARDOUS LOCATION, DRIP COVER, SCREENS, PAINT.

Table with 8 columns: BEARINGS (DE, OPE), GREASE, SHAFT TYPE, SPECIAL DE, SPECIAL ODE, SHAFT MATERIAL, FRAME MATERIAL.

Table with 7 columns: THERMO-PROTECTORS (THERMOSTATS, PROTECTORS, WDG RTDs, BRG RTDs), THERMISTORS, CONTROL, SPACE /n HEATERS.

If Inverter equals NONE, contact factory for further information

*
N
O
T
E
S
*

Table with 4 columns: INVERTER TORQUE: CONSTANT 20:1, INV. HP SPEED RANGE: NONE, ENCODER: NONE, BRAKE: NONE NONE, NONE P/N NONE, NONE NONE, NONE FT-LB NONE V NONE Hz.

DATE: 06/23/2017 04:42:24 AM
FORM 3531 REV.3 02/07/99
** Subject to change without notice.

Data Sheet

Date: 19-06-2017
Customer: _____
Attention: _____
Submitted by: FAREEDA DUDEKULA



256THFNA9001

Submittal

Data @ **460 V**

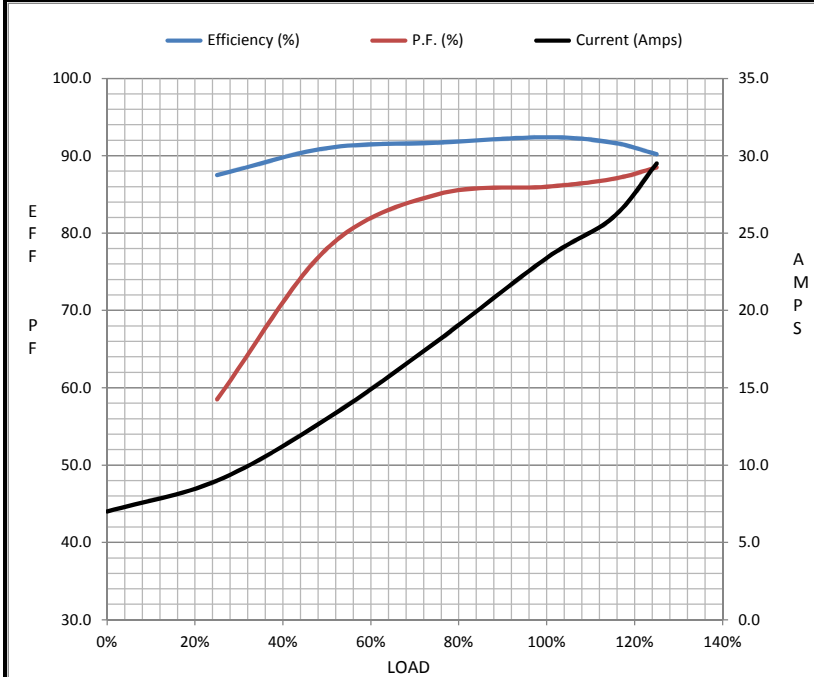
Motor Load Data

Load	0%	25%	50%	75%	100%	115%	125%	LR
Current (Amps)	7.0	9.0	13.0	18.0	23.4	26.0	29.5	145
Torque (ft-lb)	0.00	7.5	15.0	22.0	29.7	31.0	37.5	55.0
RPM	3600	3585	3570	3555	3537	3,525	3515	0
Efficiency (%)		87.5	91.0	91.7	92.4	91.7	90.2	
P.F. (%)	10.5	58.5	78.0	85.0	86.0	87.0	88.5	37.0

Motor Speed Data

	LR	Pull-Up	BD	Rated	Idle
Speed (RPM)	0	1800	3155	3537	3600
Current (Amps)	145	131	100	23.4	7.0
Torque (ft-lb)	55.0	50.0	84.0	29.7	0.00

Information Block				
HP	20.0			
Sync. RPM	3600			
Frame	256			
Enclosure	TEFC			
Construction	TFN			
Voltage	460 V			
Frequency	60 Hz			
Design	B			
LR Code letter	G			
Service Factor	1.15			
Temp Rise @ FL	55 ° C			
Duty	CONT			
Ambient	40 ° C			
Elevation	1,000 feet			
Rotor/Shaft wk ²	1.30 Lb-Ft ²			
Ref Wdg	K256288 NONE			
Sound Pressure @ 1M	72 dBA			
VFD Rating	CONSTANT 20:1			
Outline Dwg	B-SS203002-1225			
Conn. Diag	A-EE7300			
Additional Specifications:				
0				
365THFS8036				
EQUIV CKT (OHMS / PHASE)				
R1	R2	X1	X2	Xm
0.2530	0.2230	1.0790	1.1190	37.7720



Speed - Torque Curve

