

PRODUCT INFORMATION PACKET



Model No: 256THFNA18008
Catalog No: 256THFNA18008
20,3600,TEFC,256T,3/60/230/460

Regal and Marathon are trademarks of Regal Rexnord Corporation or one of its affiliated companies.
©2024 Regal Rexnord Corporation, All Rights Reserved. MC017097E



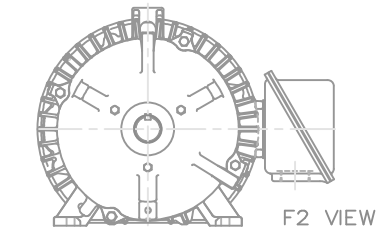
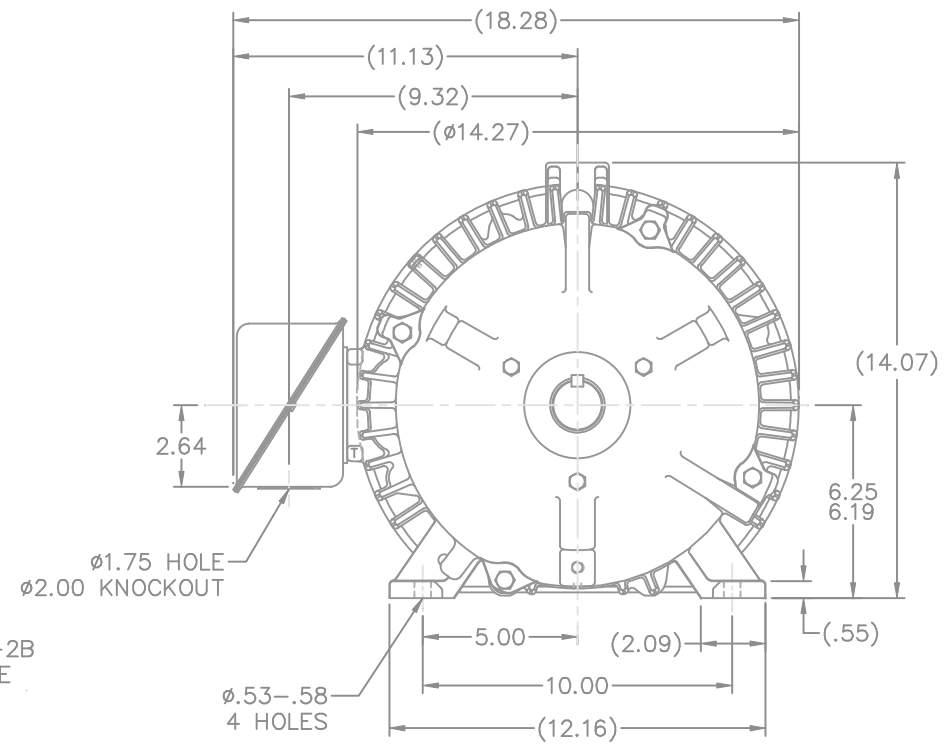
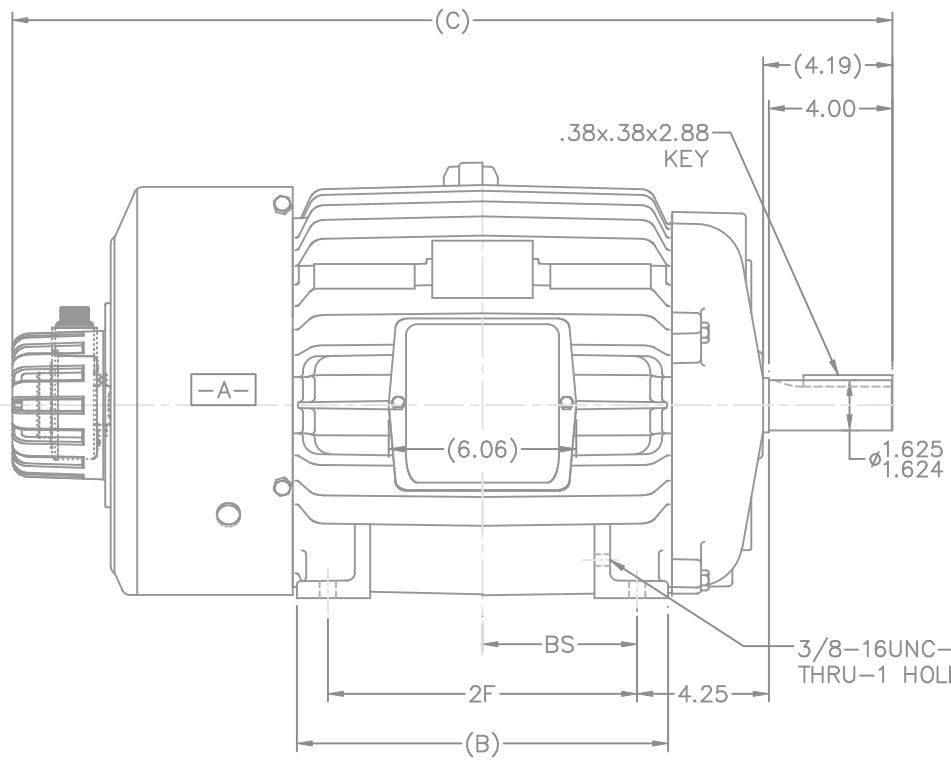
Nameplate Specifications

Phase	3	Output HP	20 Hp
Output KW	14.9 kW	Voltage	230/460 V
Speed	3537 rpm	Service Factor	1
Frame	256T	Enclosure	Totally Enclosed Fan Cooled
Thermal Protection	Thermostat	Efficiency	92.4 %
Ambient Temperature	40 °C	Frequency	60 Hz
Current	47.0/23.4 A	Power Factor	86
Duty	Continuous	Insulation Class	H
Design Code	A	KVA Code	G
Drive End Bearing Size	309	Opp Drive End Bearing Size	210
UL	Recognized	CSA	Y
CE	Y	IP Code	43
Number of Speeds	1		

Technical Specifications

Electrical Type	Squirrel Cage Inverter Duty	Starting Method	Inverter Only
Poles	2	Rotation	Reversible
Resistance Main	.394 Ohms	Mounting	Rigid Base
Motor Orientation	Horizontal	Drive End Bearing	Ball
Opp Drive End Bearing	Ball	Frame Material	Cast Iron
Shaft Type	T	Assembly/Box Mounting	F1/F2 CAPABLE
Outline Drawing	B-SS203659-1225	Connection Drawing	A-EE7308T

This is an uncontrolled document once printed or downloaded and is subject to change without notice. Date Created:09/07/2024



- NOTES:
 1. BOX CAN BE ROTATED ON ITS AXIS.
 2. BOX CAN BE MOUNTED ON OPPOSITE SIDE BY REMOVING BRACKETS AND TURNING FRAME 180°.
 3. NAMEPLATE TO BE READ FROM CONDUIT BOX SIDE OF MOTOR.

DASH	FRAME	B	C	2F	BS
1050	254T	10.25	26.70	8.25	4.12
1225	256T	12.00	28.45	10.00	5.00

		TOLERANCES UNLESS SPECIFIED		MARATHON ELECTRIC		DRAWN DAH 05-22-2001	
		DEC.	INCHES			CHK	ML 05-23-2001
		.X	±.1			APPD	BW 05-23-2001
		.XX	±.03	TITLE OUTLINE -TEFC - TFNA		SCALE	1=4
		.XXX	±.005	250T FR. -BB -		REF	
		.XXXX	±.0005	MAT'L		FMF	
		NO.	REVISION	CHK	ANG ±7'30"	PREV	
1		NEW DRAWING	MU37426	BY & DATE	DAH 05-23-2001	RFP	05-23-2001
		THIS DRAWING IN DESIGN AND DETAIL IS OUR PROPERTY AND MUST NOT BE USED EXCEPT IN CONNECTION WITH OUR WORK ALL RIGHTS OF DESIGN AND INVENTION ARE RESERVED THIS IS AN ELECTRONICALLY GENERATED DOCUMENT - DO NOT SCALE THIS PRINT		CHK	ANG ±7'30"	CAD FILE	ss203659
				SIZE	DRAWING NO.	PAGE	OF
				B	SS203659	1	1

HIGH VOLTAGE



**THREE PHASE
DUAL VOLTAGE MOTOR**

THERMO-PROTECTORS
CONNECTED IN SERIES



NOTE FOR FACTORY USE ONLY:
TO SURGE TEST FOR COMMON CONNECT:
HIGH VOLT: CONNECT P1 TO T1
THEN P2 TO L1
LOW VOLT: CONNECT P1 TO T1 & T7,
THEN P2 TO L1

LOW VOLTAGE



VIEW OF TERMINAL END

NOTE: LEAD'S COLOR CAN BE YELLOW OR WHITE FOR MT2 PLANT

DRAWING REVISION T	REVISION BY ZR	DATE 01-14-2019		DRAWN BY SMC	Regal Beloit America, Inc.
ECO ECO-0159915	APPROVED BY DR	DATE 01-15-2019		DATE 05-13-1992	
ECO DESCRIPTION ADDED TERMINAL CONNECTION DIAGRAM				APPROVED BY TB	DESCRIPTION CONN DIAGRAM-INTERNAL 3 PHASE - DUAL VOLTAGE MOTOR
<small>COPYRIGHT REGAL BELOIT AMERICA, INC. ALL RIGHTS RESERVED. PROPRIETARY AND CONFIDENTIAL INFORMATION - THIS DOCUMENT IS THE PROPERTY OF REGAL BELOIT AMERICA, INC. ("OWNER") AND CONTAINS OWNER'S PROPRIETARY INFORMATION. ANY PERSON, CORPORATION OR OTHER FIRM RECEIVING IT IS DEEMED, BY RECEIVING IT, TO AGREE THAT IT, AND/OR ANY PART OF IT, SHALL NOT BE DISCLOSED TO ANY PERSON, CORPORATION OR OTHER ENTITY, DUPLICATED, AND/OR USED, EXCEPT AS EXPRESSLY APPROVED IN WRITING IN ADVANCE BY OWNER. THIS DOCUMENT SHALL BE RETURNED TO OWNER UPON REQUEST. IT MAY BE SUBJECT TO CERTAIN RESTRICTIONS UNDER APPLICABLE EXPORT CONTROL LAWS AND REGULATIONS.</small>			DATE 05-13-1992	MATERIAL	PROCESS/FINISH
			REFERENCE EE7308/EE7300	SIZE A	DRAWING NUMBER EE7308T
			THIRD ANGLE PROJECTION		