

PRODUCT INFORMATION PACKET

Model No: 254UTFPA8026

Catalog No: P332

Automotive Duty Motor, 7.50 HP, 3 Ph, 60 Hz, 460 V, 1800 RPM, 254U Frame, TEFC

Regal and are trademarks of Regal Rexnord Corporation or one of its affiliated companies.
©2022 Regal Rexnord Corporation, All Rights Reserved. MC017097E

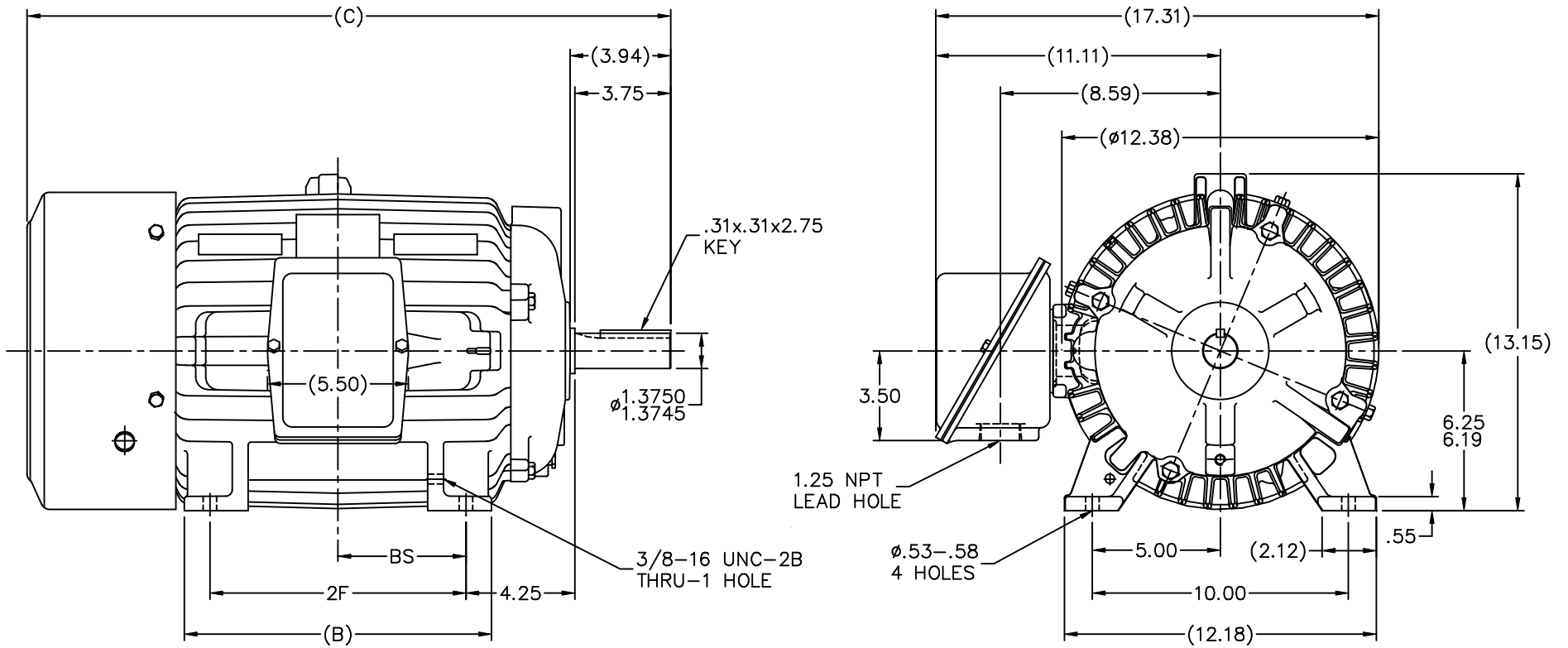


Nameplate Specifications

Output HP	7.50 Hp	Output KW	5.6 kW
Frequency	60 Hz	Voltage	460 V
Current	9.6 A	Speed	1770 rpm
Service Factor	1	Phase	3
Efficiency	90.2 %	Power Factor	80
Duty	Continuous	Insulation Class	F
Design Code	B	KVA Code	H
Frame	254U	Enclosure	Totally Enclosed Fan Cooled
Thermal Protection	No Protection	Ambient Temperature	65 °C
Drive End Bearing Size	6309	Opp Drive End Bearing Size	6207
UL	Recognized	CSA	Y
CE	Y	IP Code	43
Number of Speeds	1		

Technical Specifications

Electrical Type	Squirrel Cage Induction Run	Starting Method	Across The Line
Poles	4	Rotation	Reversible
Resistance Main	1.17 Ohms	Mounting	Rigid Base
Motor Orientation	Horizontal	Drive End Bearing	Ball
Opp Drive End Bearing	Ball	Frame Material	Cast Iron
Shaft Type	U	Overall Length	23.44 in
Frame Length	11.75 in	Shaft Diameter	1.375 in
Shaft Extension	3.94 in	Assembly/Box Mounting	F1/F2 CAPABLE
Outline Drawing	B-SS203580-1175	Connection Drawing	A-EE7300



- NOTES:
1. C.BOX CAN BE ROTATED IN 90° STEPS
 2. C.BOX CAN BE MOUNTED ON OPPOSITE SIDE BY REMOVING BRACKETS AND TURNING FRAME 180°
 3. NAMEPLATES TO BE READ FROM CONDUIT BOX SIDE OF MOTOR

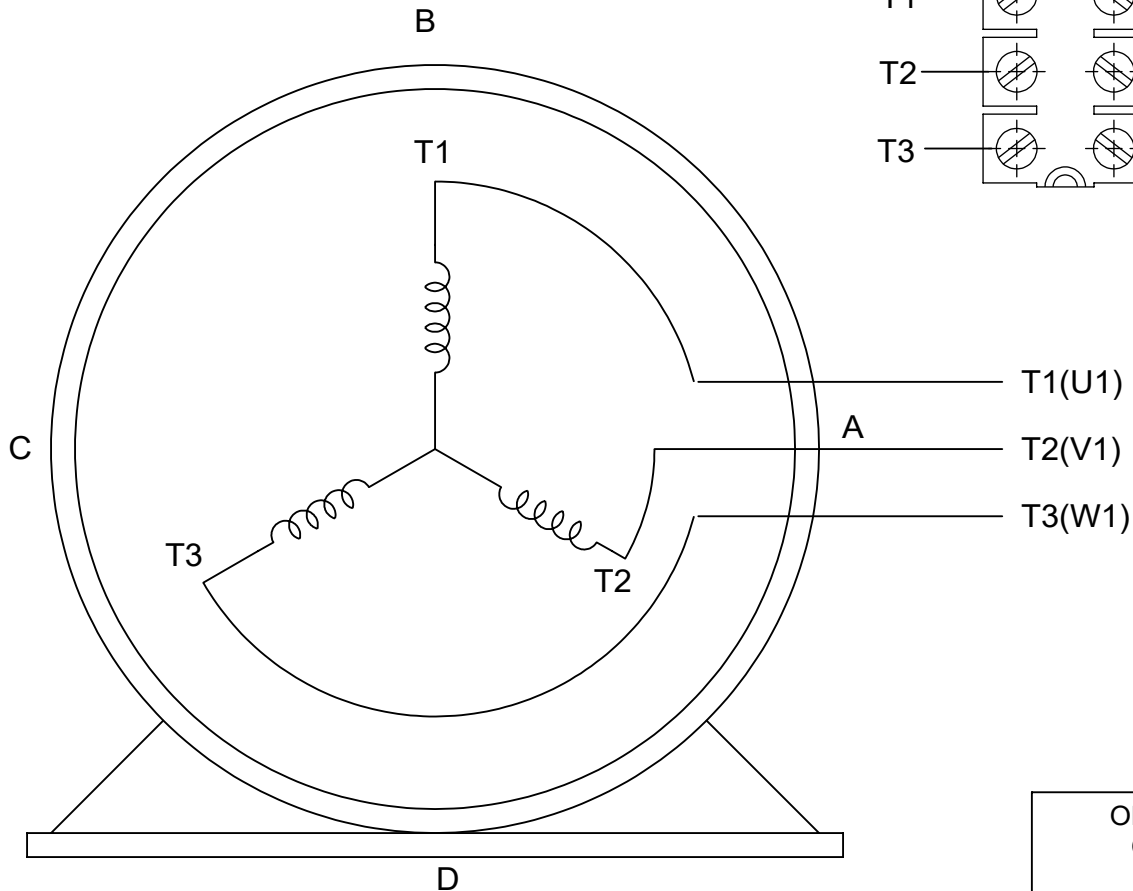
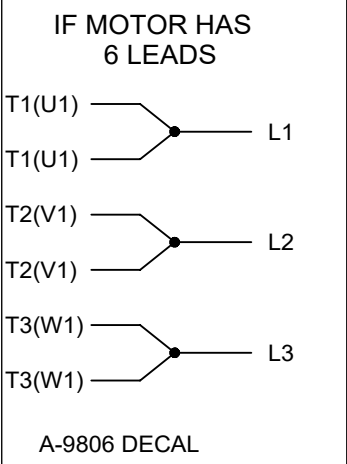
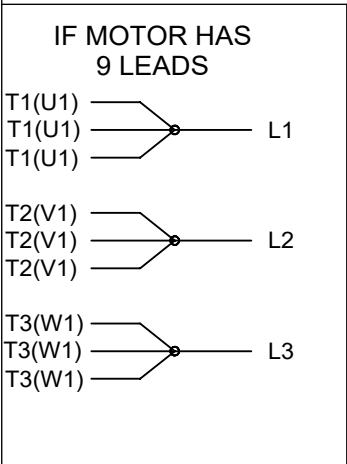
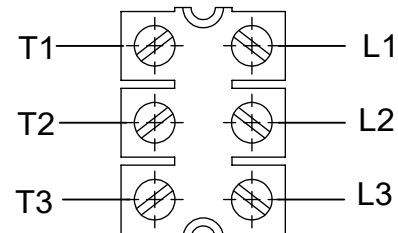
DASH	FRAME	B	C	2F	BS
1175	254U	10.25	23.44	8.25	4.12
1350	256U	12.00	25.19	10.00	5.00

		TOLERANCES UNLESS SPECIFIED			DRAWN MSG 03-21-2001	
		DEC.	INCHES		CHK	ML 03-21-2001
		.X	±.1		APPD	GK 03-21-2001
		.XX	±.03		SCALE	1=4
2	REDRAWN IN AUTOCAD	TAT	05-19-2005	ML	.XXX	±.005
1	NEW DRAWING	MSG	03-21-2001		.XXXX	±.0005
NO.	REVISION	BY & DATE	CHK	ANG	±7'30"	FINISH
THIS DRAWING IN DESIGN AND DETAIL IS OUR PROPERTY AND MUST NOT BE USED EXCEPT IN CONNECTION WITH OUR WORK ALL RIGHTS OF DESIGN AND INVENTION ARE RESERVED THIS IS AN ELECTRONICALLY GENERATED DOCUMENT - DO NOT SCALE THIS PRINT				RFP	CAD FILE	ss203580
				DIST	LB	
				SIZE	DRAWING NO.	PAGE OF
				B	SS203580	2
					REV.	

THREE PHASE - SINGLE VOLTAGE
MOTOR - CONDUIT BOX @ 'A'

TERMINAL BLOCK WHEN SPECIFIED

TO REVERSE ROTATION:
INTERCHANGE ANY TWO LINE
LEAD CONNECTIONS



VIEW OF TERMINAL END

OPTIONAL CORD CONNECTION

L1	WHITE
L2	RED
L3	BLACK

DRAWING REVISION AC	REVISION BY BS	REV DATE/© DATE 26/07/2022
REQUEST NUMBER CR-0010402	APPROVED BY SN	DATE 26/07/2022
REQUEST NUMBER DESCRIPTION DRAWING UPDATED		
<small>COPYRIGHT (PER REVISION DATE) REGAL BELOIT AMERICA, INC. ALL RIGHTS RESERVED. PROPRIETARY AND CONFIDENTIAL INFORMATION - THIS DOCUMENT IS THE PROPERTY OF REGAL BELOIT AMERICA, INC. ("OWNER") AND CONTAINS OWNER'S PROPRIETARY INFORMATION. ANY PERSON, CORPORATION OR OTHER FIRM RECEIVING IT IS DEEMED, BY RECEIVING IT, TO AGREE THAT IT, AND/OR ANY PART OF IT, SHALL NOT BE DISCLOSED TO ANY PERSON, CORPORATION OR OTHER ENTITY, DUPLICATED, AND/OR USED, EXCEPT AS EXPRESSLY APPROVED IN WRITING IN ADVANCE BY OWNER. THIS DOCUMENT SHALL BE RETURNED TO OWNER UPON REQUEST. IT MAY BE SUBJECT TO CERTAIN RESTRICTIONS UNDER APPLICABLE EXPORT CONTROL LAWS AND REGULATIONS.</small>		

PRIMARY DIMENSIONS ARE INCH
mm DIMENSIONS IN [BRACKETS]
ARE FOR REFERENCE ONLY

DRAWN BY DA
DATE 03-26-1993
APPROVED BY TB
DATE 03-26-1993
REFERENCE
THIRD ANGLE PROJECTION

		Regal Beloit America, Inc.	
DESCRIPTION CONNECTION DIAGRAM EXTERNAL - SINGLE VOLTAGE - 3Ø MOTOR			
MATERIAL		PROCESS/FINISH	
SIZE A	DRAWING NUMBER EE7300		SHEET 1 OF 1