

PRODUCT INFORMATION PACKET

marathon®
Motors

Model No: 254TTGN4076

Catalog No: U044

Other Purpose Motor, 7.50 & 5 HP, 3 Ph, 60 & 50 Hz, 230/460 & 190/380 V, 1200 & 1000 RPM,
254T Frame, EPFC

Regal and Marathon are trademarks of Regal Rexnord Corporation or one of its affiliated companies.

©2023 Regal Rexnord Corporation, All Rights Reserved. MC017097E

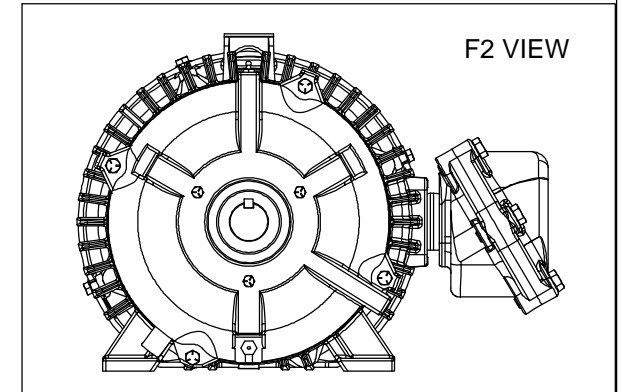
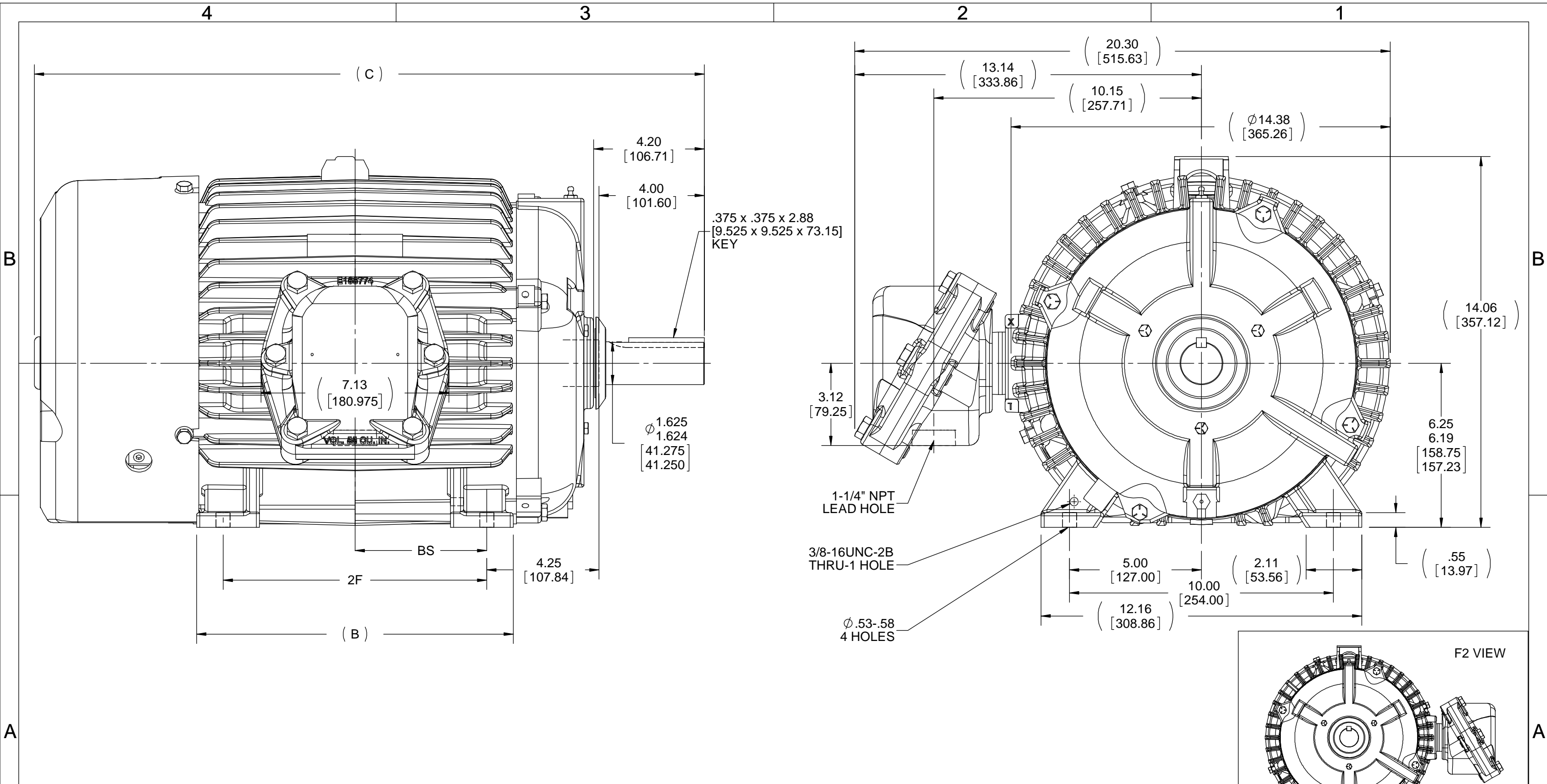
The logo for Regal Rexnord, featuring a stylized 'R' icon followed by the text 'RegalRexnord'.

Nameplate Specifications

Phase	3	Output HP	7.50 & 5 Hp
Output KW	5.6 & 3.7 kW	Voltage	230/460 & 190/380 V
Speed	1170 & 975 rpm	Service Factor	1.15 & 1.15
Frame	254T	Enclosure	Explosion Proof Fan cooled
Thermal Protection	No Protection	Efficiency	89.5 & 87.5 %
Ambient Temperature	40 °C	Frequency	60 & 50 Hz
Current	20/10 & 17/8.5 A	Power Factor	78
Duty	Continuous	Insulation Class	F
Design Code	B	KVA Code	H
Drive End Bearing Size	6309	Opp Drive End Bearing Size	6210
UL	Listed	CSA	Y
CE	N	IP Code	54
Number of Speeds	1		

Technical Specifications

Electrical Type	Squirrel Cage Inverter Rated	Starting Method	Line Or Inverter
Poles	6	Rotation	Reversible
Resistance Main	1.355 Ohms	Mounting	Rigid Base
Motor Orientation	Horizontal	Drive End Bearing	Ball
Opp Drive End Bearing	Ball	Frame Material	Cast Iron
Shaft Type	T	Overall Length	23.52 in
Frame Length	10.50 in	Shaft Diameter	1.625 in
Shaft Extension	4.2 in	Assembly/Box Mounting	F1 ONLY
Outline Drawing	B-SS203001-1050	Connection Drawing	A-EE7308AD



NOTES:
 1. CONDUIT BOX CAN ONLY BE ROTATED CLOCKWISE UP TO 270° FROM ITS ORIGINAL POSITION.
 2. NAMEPLATES TO BE READ FROM CONDUIT BOX SIDE OF MOTOR.

DASH	FRAME	B	C	2F	2FF	BS
1050	254T	10.25 [260.35]	23.65 [600.71]	---	8.25 [209.55]	4.12 [104.65]
1225	256T	12.00 [304.80]	25.40 [645.16]	---	10.00 [254.00]	5.00 [127.00]

DRAWING REVISION F	REVISION BY SD	DATE 11/18/2019
ECO ECO-0177002	APPROVED BY VMR	DATE 11/18/2019
ECO DESCRIPTION OUTLINE DESCRIPTION AND C DIMENSION UPDATED		
<small>COPYRIGHT REGAL BELOIT AMERICA, INC. ALL RIGHTS RESERVED. PROPRIETARY AND CONFIDENTIAL INFORMATION - THIS DOCUMENT IS THE PROPERTY OF REGAL BELOIT AMERICA, INC. ("OWNER") AND CONTAINS OWNER'S PROPRIETARY INFORMATION. ANY PERSON, CORPORATION OR OTHER FIRM RECEIVING IT IS DEEMED, BY RECEIVING IT, TO AGREE THAT IT, AND/OR ANY PART OF IT, SHALL NOT BE DISCLOSED TO ANY PERSON, CORPORATION OR OTHER ENTITY, DUPLICATED, AND/OR USED, EXCEPT AS EXPRESSLY APPROVED IN WRITING IN ADVANCE BY OWNER. THIS DOCUMENT SHALL BE RETURNED TO OWNER UPON REQUEST. IT MAY BE SUBJECT TO CERTAIN RESTRICTIONS UNDER APPLICABLE EXPORT CONTROL LAWS AND REGULATIONS.</small>		

TOLERANCES UNLESS OTHERWISE SPECIFIED:

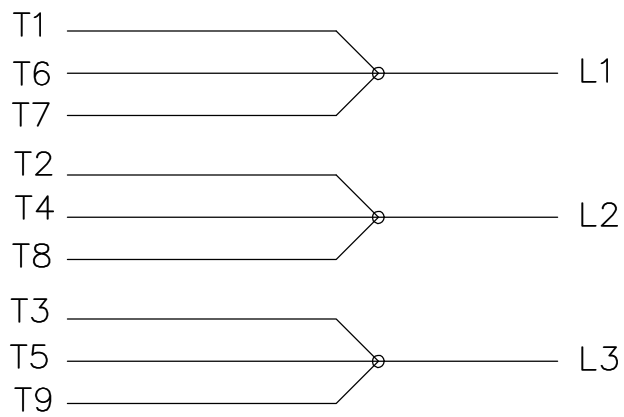
DEC.	INCH	mm	ANGLE
.X	±0.1	[±2.5]	±7° 30"
.XX	±0.03	[±0.76]	
.XXX	±0.005	[±0.127]	
.XXXX	±0.0005	[±0.0127]	

REMOVE BURRS & BREAK SHARP
 EDGES: .003/.015 [.076/.381]
 CORNER FILLETS: .02 [.51]
 MACHINED SURFACES: 200 INCH/mm 5.1
 mm SHOWN IN [BRACKETS]

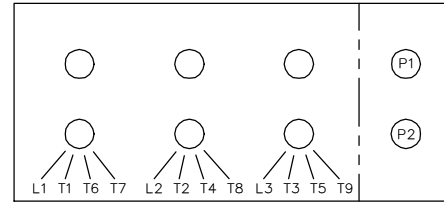
DRAWN BY RM
DATE 12-14-1993
APPROVED BY FG
DATE 12-15-1993
REFERENCE
THIRD ANGLE PROJECTION

REGAL ™ Regal Beloit America, Inc.	
DESCRIPTION OUTLINE 250T FR. EXP. PR. - BB - T - STD.	
MATERIAL	PROCESS/FINISH
SIZE B	DRAWING NUMBER SS203001
SHEET 1 OF 1	

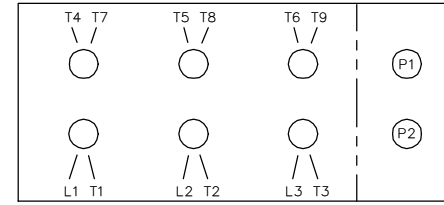
LOW VOLTAGE



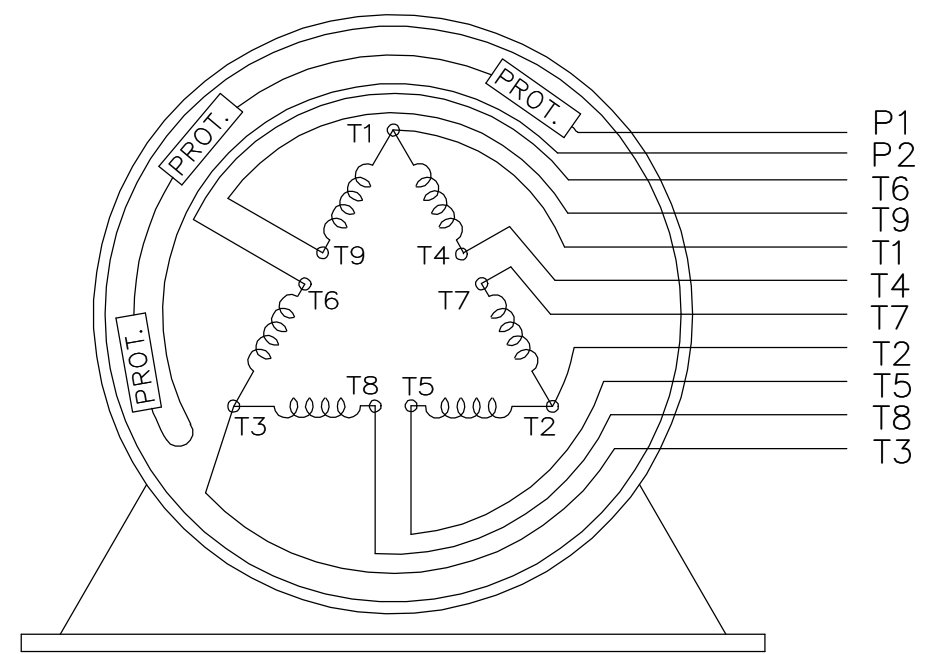
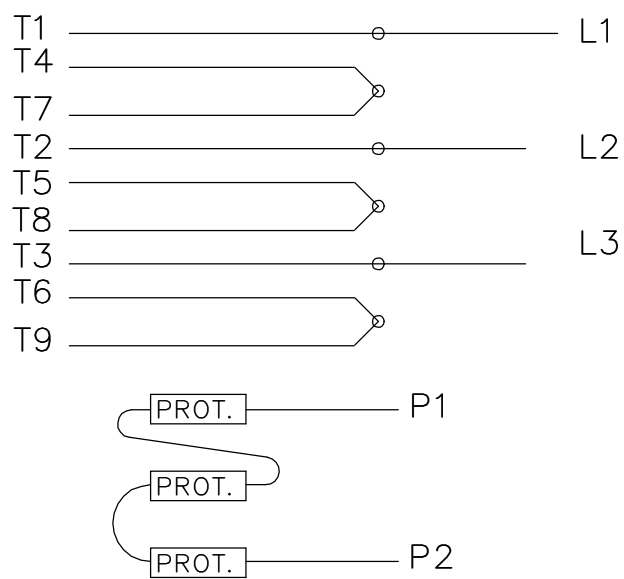
LOW VOLTAGE



HIGH VOLTAGE



HIGH VOLTAGE



VIEW OF TERMINAL END

WHEN MORE THAN ONE PROT. IS USED; PROT. ARE CONNECTED IN SERIES

DRAWING REVISION L		REVISION BY JP	REV DATE/© DATE 06-21-2019	TOLERANCES (EXCEPT AS NOTED): DEC. INCH mm ANGLE		DRAWN BY MJD		Regal Beloit America, Inc.			
ECO ECO-0168744		APPROVED BY MH	DATE 06-21-2019	.X ±0.1 [±3]	±7' 30"	DATE 12-19-1997	DESCRIPTION CONN DIAGRAM-EXTERNAL				
ECO DESCRIPTION UPDATED TO CURRENT STANDARDS				.XX ±0.02 [±0.5]		APPROVED BY GK		MATERIAL			
COPYRIGHT (PER REVISION DATE) REGAL BELOIT AMERICA, INC. ALL RIGHTS RESERVED. PROPRIETARY AND CONFIDENTIAL INFORMATION - THIS DOCUMENT IS THE PROPERTY OF REGAL BELOIT AMERICA, INC. ("OWNER") AND CONTAINS OWNER'S PROPRIETARY INFORMATION. ANY PERSON, CORPORATION OR OTHER FIRM RECEIVING IT IS DEEMED, BY RECEIVING IT, TO AGREE THAT IT, AND/OR ANY PART OF IT, SHALL NOT BE DISCLOSED TO ANY PERSON, CORPORATION OR OTHER ENTITY, DUPLICATED, AND/OR USED, EXCEPT AS EXPRESSLY APPROVED IN WRITING IN ADVANCE BY OWNER. THIS DOCUMENT SHALL BE RETURNED TO OWNER UPON REQUEST. IT MAY BE SUBJECT TO CERTAIN RESTRICTIONS UNDER APPLICABLE EXPORT CONTROL LAWS AND REGULATIONS.				.XXX ±0.005 [±0.13]		DATE 01-07-1998		PROCESS/FINISH			
				.XXXX ±0.0005 [±0.013]		REFERENCE		SIZE		DRAWING NUMBER	
				REMOVE BURRS & BREAK SHARP EDGES: .003/.015 [.08/.38] X 45° CORNER FILLETS: R.02 [.5] MACHINED SURFACES: 200/ 5.1 INCH mm mm DIMENSIONS IN [BRACKETS] ARE FOR REFERENCE ONLY		THIRD ANGLE PROJECTION		A		EE7308AD	