

PRODUCT INFORMATION PACKET

marathon®
Motors

Model No: 254TTGCD16034

Catalog No: C327C

Hazardous Duty® Explosion Proof Motor, 15 & 10 HP, 3 Ph, 60 & 50 Hz, 230/460 & 190/380 V,
1800 & 1500 RPM, 254TC Frame, EPFC



Regal and Marathon are trademarks of Regal Rexnord Corporation or one of its affiliated companies.
©2024 Regal Rexnord Corporation, All Rights Reserved. MC017097E

RegalRexnord

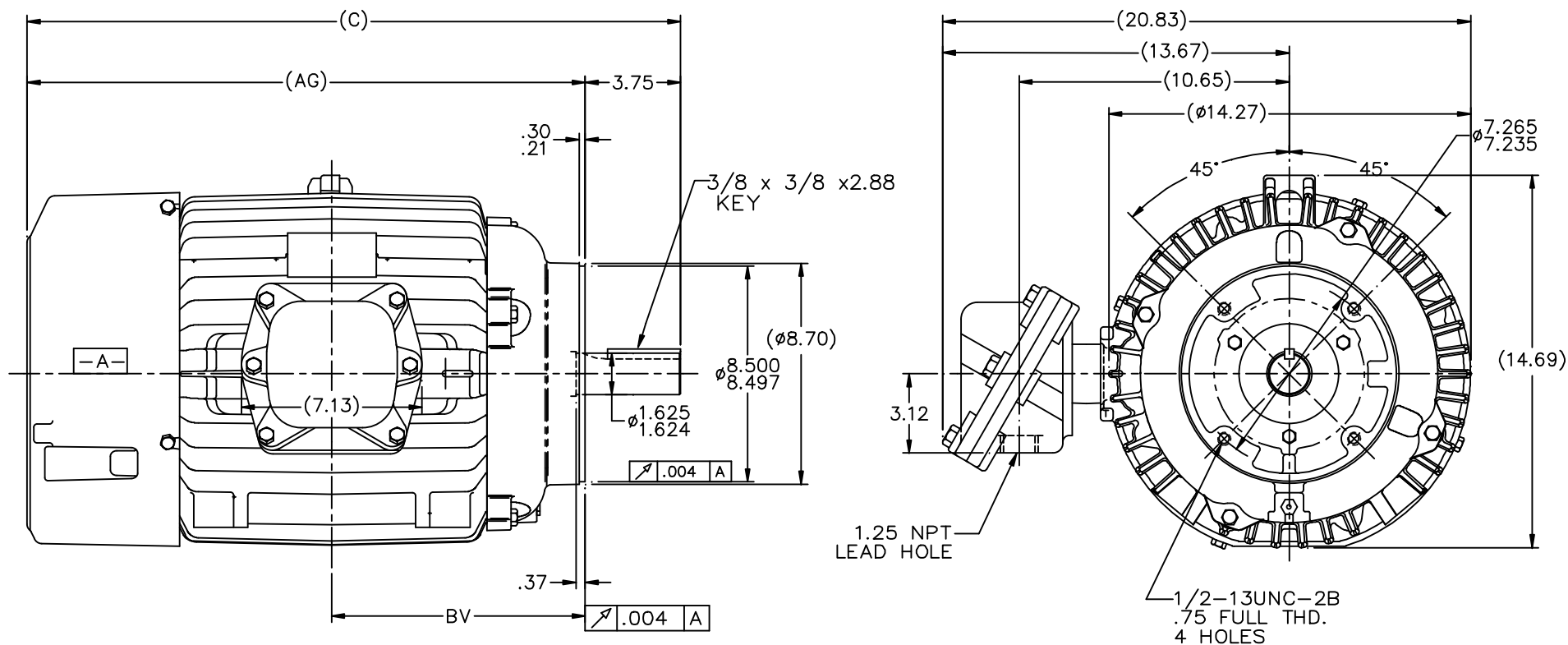
Nameplate Specifications

Phase	3	Output HP	15 & 10 Hp
Output KW	11.2 & 7.5 kW	Voltage	230/460 & 190/380 V
Speed	1770 & 1475 rpm	Service Factor	1.00 & 1.00
Frame	254TC	Enclosure	Explosion Proof Fan cooled
Thermal Protection	Thermostat	Efficiency	92.4 & 91.8 %
Ambient Temperature	50 °C	Frequency	60 & 50 Hz
Current	36.5/18.4 & 31/15.5 A	Power Factor	83
Duty	Continuous	Insulation Class	F
Design Code	B	KVA Code	G
Drive End Bearing Size	6309	Opp Drive End Bearing Size	6210
UL	UL Listed And CSA Certified	CSA	Y
CE	N	IP Code	54
Number of Speeds	1	Hazardous Location	DIV 1 EXP PROOF CL I GR CD CL II GR FG T3C

Technical Specifications

Electrical Type	Squirrel Cage Inverter Rated	Starting Method	Line Or Inverter
Poles	4	Rotation	Reversible
Resistance Main	.713 Ohms	Mounting	Round
Motor Orientation	Horizontal	Drive End Bearing	Ball
Opp Drive End Bearing	Ball	Frame Material	Cast Iron
Shaft Type	T	Shaft Diameter	1.625 in
Assembly/Box Mounting	F1 ONLY	Inverter Load	CONSTANT 10:1
Outline Drawing	SS207446-1225	Connection Drawing	A-EE7308T


This is an uncontrolled document once printed or downloaded and is subject to change without notice. Date Created:11/05/2024



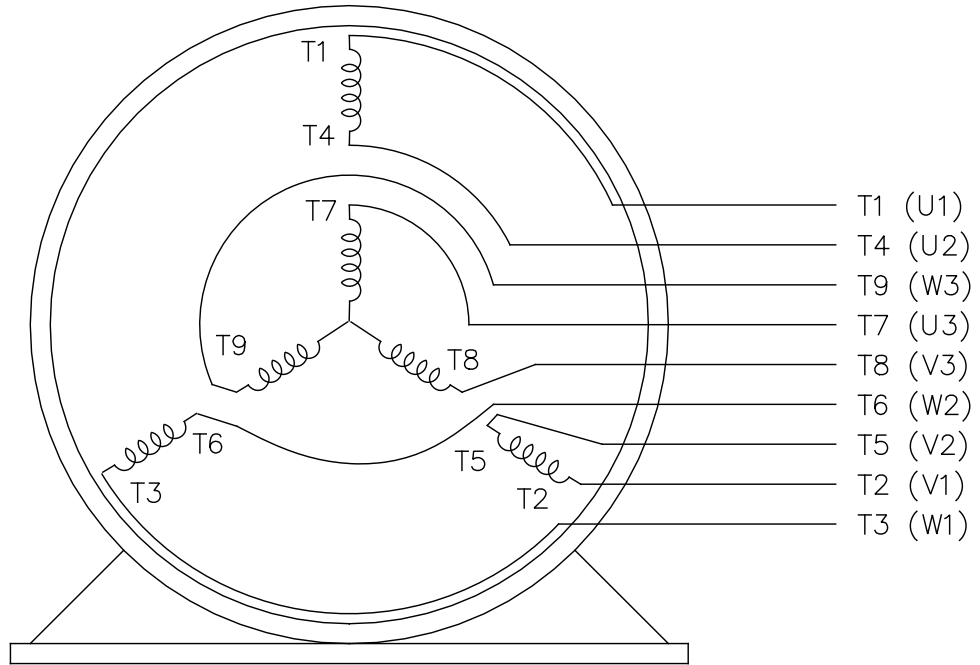
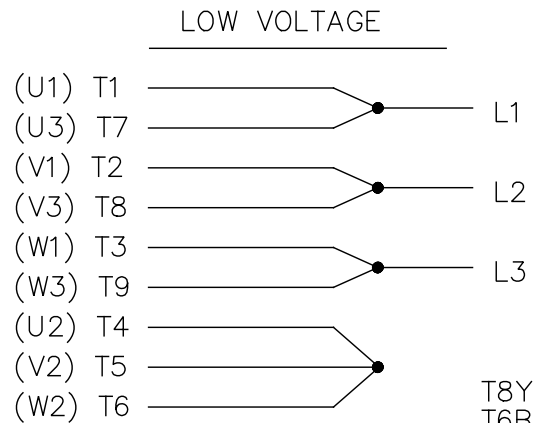
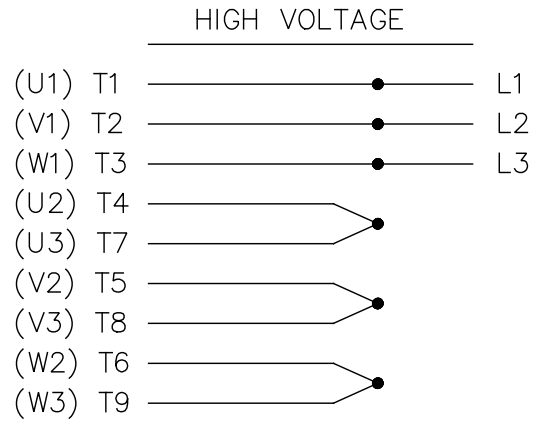
NOTES:

1. BOX CAN BE ROTATED CLOCKWISE UP TO 270° FROM ITS ORIGINAL POSITION.
2. NAMEPLATE TO BE READ FROM CONDUIT BOX SIDE OF MOTOR

DASH	FRAME	C	AG	BV
1225	254-6TC	25.77	22.02	10.00

		TOLERANCES UNLESS SPECIFIED		 ELECTRIC MOTORS GEARMOTORS AND DRIVES	DRAWN KS 10-27-2011
		DEC.	INCHES		CHK SJW 10-27-2011
		.X	±.1	APPD MSG 10-27-2011	SCALE 1=4
		.XX	±.03	TITLE OUTLINE	REF SS207446
		.XXX	±.005	254-6TC FR. -EXP. PR. - 'C' FACE	FMF MU104844
		.XXXX	±.0005	MAT'L	PREV
NO.	REVISION	BY & DATE	CHK ANG ±7°30'	FINISH	
THIS DRAWING IN DESIGN AND DETAIL IS OUR PROPERTY AND MUST NOT BE USED EXCEPT IN CONNECTION WITH OUR WORK ALL RIGHTS OF DESIGN AND INVENTION ARE RESERVED THIS IS AN ELECTRONICALLY GENERATED DOCUMENT - DO NOT SCALE THIS PRINT				RFP 10-27-2011	CAD FILE SS207446LE
				DIST LB	SIZE B
				DRAWING NO. B	PAGE 1 OF 1
				SS207446LE	REV. 0

THREE PHASE
DUAL VOLTAGE MOTOR



VIEW OF TERMINAL END

REF.
WINDING DIAGRAM

T8Y, T2Y, T2BL, T4BX, T2EC, T2G
T6BZ, T2B, T6BL, T4AV, T6B, T4B

OPTIONAL CORD
CONNECTION

L1 WHITE
L2 RED
L3 BLACK

DRAWING REVISION	REVISION BY	DATE	TOLERANCES UNLESS OTHERWISE SPECIFIED	DRAWN BY:	Trans-Power
ECO	APPROVED BY	DATE	DEC. mm INCH ANGLE .X ±2.5 [±0.1] ±0.5° .XX ±0.51 [±0.02] .XXX ±0.127 [±0.005] .XXXX ±0.0127 [±0.0005]	AS DATE: 02/20/2017	
ECO DESCRIPTION NEW DRAWING			REMOVE BURRS & BREAK SHARP EDGES .08/.38 [0.03/.015] X 45° CORNER FILLETS R.51 [0.2]	APPROVED BY:	DESCRIPTION
COPYRIGHT KAMAN INDUSTRIAL TECHNOLOGIES INC. VENDOR IDENTIFICATION TNP ALL RIGHTS RESERVED. PROPRIETARY AND CONFIDENTIAL INFORMATION - THIS DOCUMENT IS THE PROPERTY OF VENDOR IDENTIFICATION TNP ("OWNER") AND CONTAINS OWNER'S PROPRIETARY INFORMATION. ANY PERSON, CORPORATION OR OTHER FIRM RECEIVING IT IS DEEMED, BY RECEIVING IT, TO AGREE THAT IT, AND/OR ANY PART OF IT, SHALL NOT BE DISCLOSED TO ANY PERSON, CORPORATION OR OTHER ENTITY, DUPLICATED, AND/OR USED, EXCEPT AS EXPRESSLY APPROVED IN WRITING IN ADVANCE BY OWNER. THIS DOCUMENT SHALL BE RETURNED TO OWNER UPON REQUEST. IT MAY BE SUBJECT TO CERTAIN RESTRICTIONS UNDER APPLICABLE EXPORT CONTROL LAWS AND REGULATIONS.			MACHINED SURFACES INCH $\sqrt[125]{mm}$ $\sqrt[3.2]{}$	DATE: 02/20/2017	3 PHASE - UAL VOLTAGE
			INCH SHOWN IN [BRACKETS]	REFERENCE EE7308	MATERIAL
				THIRD ANGLE PROJECTION	SIZE DWG NO A EE7308TP
					SHEET 1



P.O. BOX 8003
 WAUSAU, WI 54401-8003
 PH. 715-675-3311

DATA VOLTS: 460

CERTIFICATION DATA SHEET

CUSTOMER: _____ **CUSTOMER P.O. #:** _____
ORDER #: _____ **REFERENCE MODEL #:** 254TTGCD16034
CONN. DIAGRAM: A-EE7308T **CAT #:** C327C
OUTLINE: B-SS207446-1225 **CUSTOMER PART #:** _____
WINDING: HA31604019 NONE 8 **MOUNTING:** F1 ONLY
SPEED: _____ **FAN:** 504205B

TYPICAL MOTOR PERFORMANCE DATA

HP	KW	SYNC RPM	FL RPM	FRAME	ENCLOSURE	TYPE	KVA CODE	DESIGN
15	11.2	1800	1772	254TC	EPFC	TFC	G	B

PH	HZ	VOLTS	AMPS	START TYPE	DUTY	INSL	S.F.	AMB	ELEV.
3	60/50	230/460#190/380	37.5/18.8&31/15.4	ACROSS THE LINE	CONT	F	1.0	50	3300

F.L. EFF	92.4	3/4 LD EFF	92.4	1/2 LD EFF	91.7	GTD EFF	ELECT. TYPE
F.L. PF	83.0	3/4 LD PF	76.5	1/2 LD PF	65.5	91.7	SQ CAGE IND RUN

F.L. TORQUE	LR AMPS @ 460 V	L.R. TORQUE	B.D. TORQUE	F.L. RISE (° C)
44.5 LB-FT	116	110 LB-FT 247%	138 LB-FT 310%	55

SOUND PRESSURE @	SOUND	ROTOR WK²	MAX. LOAD WK²	SAFE STALL TIME	STARTS/HOUR	APROX.
65 dBA	74 dBA	2.40 LB-FT²	110 LB-FT²	20 SEC.	2	400 LB.

***** SUPPLEMENTAL INFORMATION *****

DE BRACKET TYPE	ODE BRACKET TYPE	MOUNT TYPE	MOTOR ORIENTATION	SEVERE DUTY	HAZARDOUS LOCATION	DRIP COVER	SCREENS	PAINT
C-FACE	STANDARD	ROUND	HORIZONTAL	NO	PROOF CL I GR CD CL II	NO	NONE	BLUE (ENAMEL)

BEARINGS		GREASE	SHAFT TYPE	SPECIAL DE	SPECIAL ODE	SHAFT MATERIAL	FRAME MATERIAL
DE	ODE	POLYREX EM	T	NONE	NONE	1045 HOT ROLLED (C-204)	CAST IRON
BALL	BALL						
6309	6210						

THERMOSTATS	PROTECTORS	WDG RTD's	BRG RTD's	THERMISTORS	CONTROL	SPACE HEATERS
TSTATS (N/C)	NOT	NONE	NONE	NONE	FALSE	NA

R1 (ohms/ph)	R2 (ohms/ph)	X1 (ohms/ph)	X2 (ohms/ph)	Xm (ohms/ph)	VIBRATION (in/sec)	FLOAT
0.44	0.244	1.304	1.467	31.563	0.150	ODE

* N O T E S *	INVERTER TORQUE: NONE INV. HP SPEED RANGE: NONE					
	ENCODER: NONE NONE NONE					
	NONE PPR					
	BRAKE: NONE NONE					
	FT-LB: NA VOLTAGE: NONE					

PREPARED BY: _____ DATE: 8/1/2022	HZ: _____ UL: NONE LETTER - ALL BRANDS-UL LISTED AND CSA CERTIFIED DIV
----------------------------------------------------	-----------------------------------------------------------------------------------------

FORM: 3531 REV_4 2/27/06

CERTIFICATE OF COMPLIANCE

Certificate Number 20220311- E12044
Report Reference E12044-19950413
Issue Date 2022-MARCH-11

Issued to: REGAL BELOIT AMERICA INC
1946 W COOK RD
FORT WAYNE IN 46818

Tradename: Marathon

**This certificate confirms that
representative samples of**

MOTORS FOR USE IN HAZARDOUS LOCATIONS
Electric motors for use in hazardous locations; Class I,
Groups C and D; Class II, Groups F and G; Inclusive of
Model Number 254TTGCD16034 (may have prefix and/or
suffix characters).

Have been investigated by UL in accordance with the
Standard(s) indicated on this Certificate.

Standard(s) for Safety: UL 674 - Electric Motors and Generators for Use in Division
1 Hazardous (Classified) Locations,
CSA C22.2 No. 145, Electric Motors and Generators for
Use in Hazardous (Classified) Locations

Additional Information: See the UL Online Certifications Directory at
<https://iq.ulprospector.com> for additional information.

This *Certificate of Compliance* does not provide authorization to apply the UL Mark. Only the UL Follow-Up
Services Procedure provides authorization to apply the UL Mark.

Only those products bearing the UL Mark should be considered as being UL Certified and covered under UL's
Follow-Up Services.

Look for the UL Certification Mark on the product.

This is to certify that representative samples of the product as specified on this certificate were tested
according to the current UL requirements.



Bruce Mahrenholz, Director North American Certification Program
UL LLC

Any information and documentation involving UL Mark services are provided on behalf of UL LLC (UL) or any authorized licensee of UL. For questions, please
contact a local UL Customer Service Representative at <http://ul.com/aboutul/locations/>

