

PRODUCT INFORMATION PACKET



Model No: 254TTFPA7225
Catalog No: 254TTFPA7225
10,3600,TEFC,254T,3/60/460

Regal and Marathon are trademarks of Regal Rexnord Corporation or one of its affiliated companies.
©2024 Regal Rexnord Corporation, All Rights Reserved. MC017097E



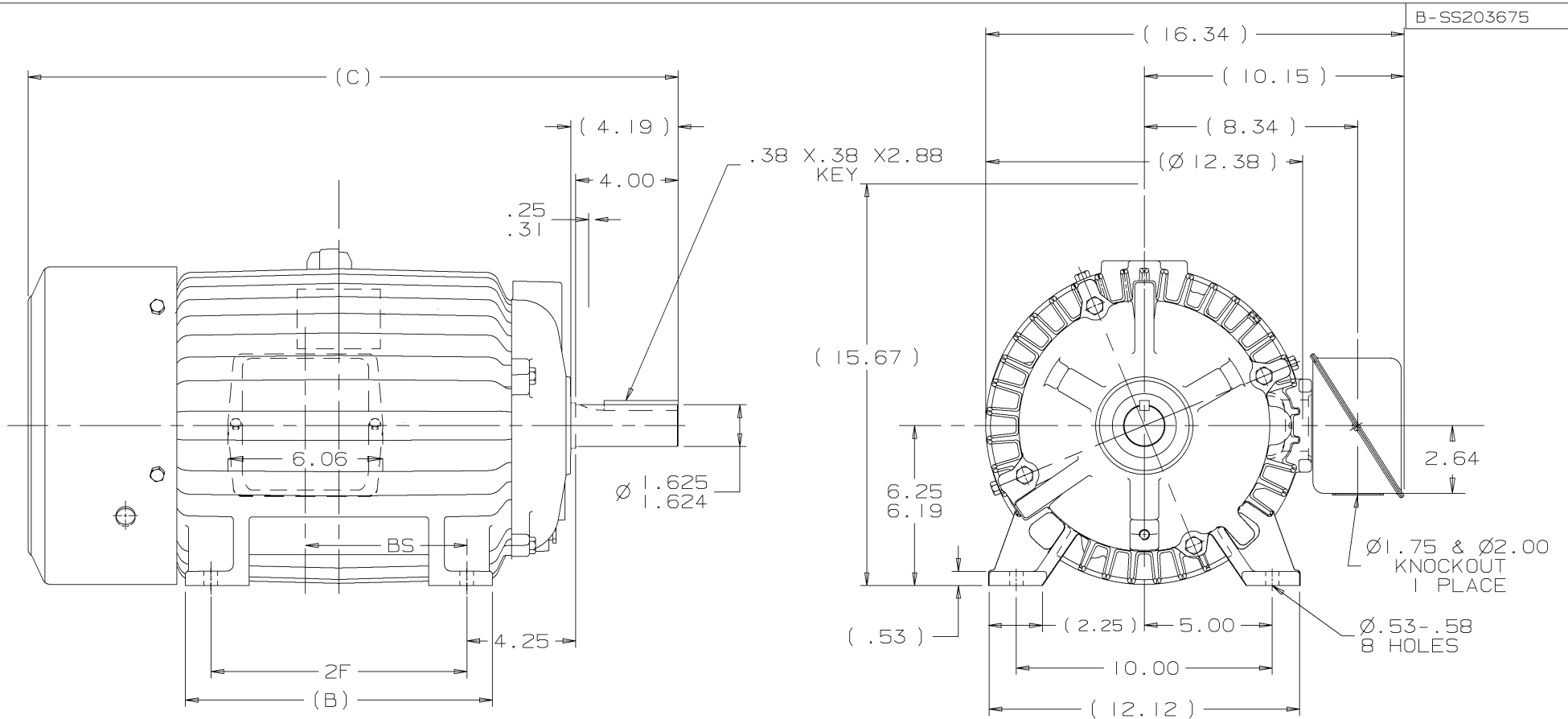
Nameplate Specifications

Phase	3	Output HP	10,5 Hp
Output KW	7.5 kW	Voltage	460 V
Speed	3525,1775 rpm	Service Factor	1.15
Frame	254T	Enclosure	Totally Enclosed Fan Cooled
Thermal Protection	No Protection	Efficiency	81.5 %
Ambient Temperature	40 °C	Frequency	60 Hz
Current	12.8,6.8 A	Power Factor	88
Duty	Continuous	Insulation Class	F
Design Code	1CT	KVA Code	G
Drive End Bearing Size	309	Opp Drive End Bearing Size	207
UL	Recognized	CSA	Y
IP Code	43	Number of Speeds	2

Technical Specifications

Electrical Type	Squirrel Cage Induction Run	Starting Method	Across The Line
Poles	2/4	Rotation	Reversible
Resistance Main	1.59 Ohms	Mounting	Rigid Base
Motor Orientation	Shaft Down	Drive End Bearing	Ball
Opp Drive End Bearing	Ball	Frame Material	Cast Iron
Shaft Type	T	Assembly/Box Mounting	W7
Outline Drawing	B-SS203675-1175	Connection Drawing	A-EE7324

This is an uncontrolled document once printed or downloaded and is subject to change without notice. Date Created:09/07/2024

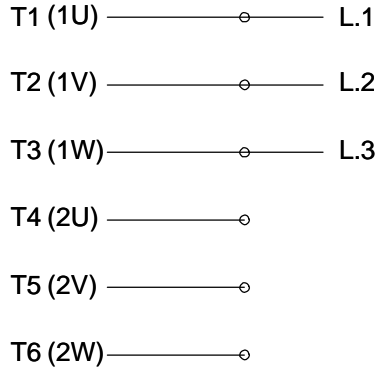


B-SS203675

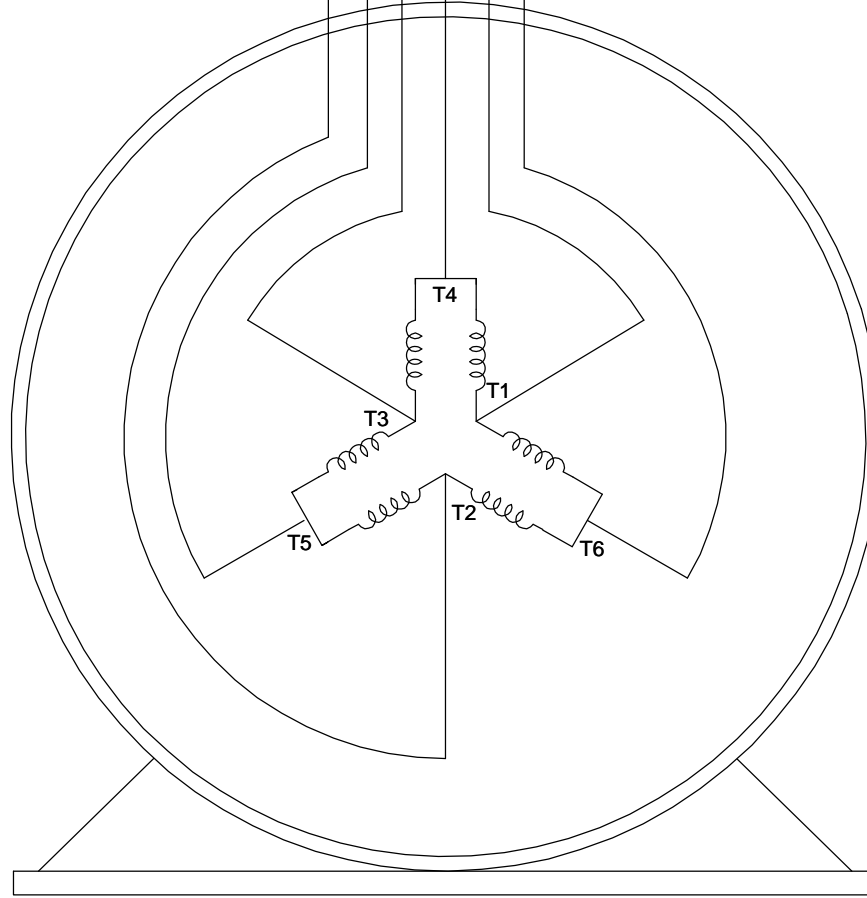
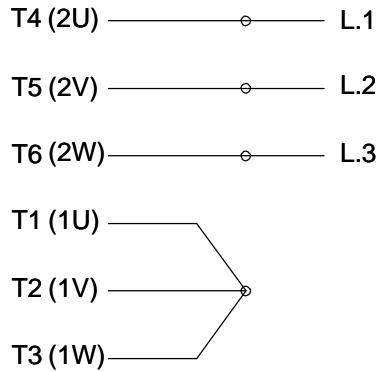
DASH	FRAME	B	C	2F	BS	REV	DATE	CHANGE	NAME	MATL SPEC	FINISH	PART NAME	DRWG NO
						3	10-15-2001	REMOVED LIFTING LUGS CN29100-21B3	CAV	✓		OUTLINE - TEFC	B-SS203675
						2	07-27-2001	REVISED FRAME FROM 14.27 TO 12.38 ADDED LIFTING LUGS TO FR. MU37793	CAV			250TV FRAME - BB	B-SS203675
						1	07-10-2001	NEW DRAWING MU37793	CAV				B-SS203675
										MAX. SURFACE ROUGHNESS UNLESS NOTED OTHERWISE		UNLESS OTHERWISE SPECIFIED DIMENSIONS ARE IN INCHES TOL. ON XX±.03 XXX±.005 XXXX±.0005 ANGLES± 7'30"	
										SHEET METAL CONDUIT BOX		DRAWN BY CAV 07-10-2001	
										MARATHON ELECTRIC		CHKD BY ML 07-10-2001	
										WAUSAU, WISCONSIN 54401		APPD BY CAV 07-10-2001	
										SHOP BOOK		PURCHASED	
										DISTRIBUTION - WA - LB - WP - LM - BR		CADD FILE NO. SS203675	

T2 (1V)
T5 (2V)
T3 (1W)
T4 (2U)
T1 (1U)
T6 (2W)

LOW SPEED:



HIGH SPEED:



VIEW OF TERMINAL END

DRAWING REVISION N	REVISION BY TRK	DATE 10-24-2017		DRAWN BY CAV	Regal Beloit America, Inc.		
ECO ECO-0133089	APPROVED BY MH	DATE 10-24-2017		DATE 05-12-2000			
ECO DESCRIPTION UPDATED TO CURRENT STANDARDS				APPROVED BY GK	DESCRIPTION CONNECTION DIAGRAM 3Ø 2 SPD. 1 WDG. - C.T. - SGL. VOLT		
COPYRIGHT REGAL BELOIT AMERICA, INC. ALL RIGHTS RESERVED. PROPRIETARY AND CONFIDENTIAL INFORMATION - THIS DOCUMENT IS THE PROPERTY OF REGAL BELOIT AMERICA, INC. ("OWNER") AND CONTAINS OWNER'S PROPRIETARY INFORMATION. ANY PERSON, CORPORATION OR OTHER FIRM RECEIVING IT IS DEEMED, BY RECEIVING IT, TO AGREE THAT IT, AND/OR ANY PART OF IT, SHALL NOT BE DISCLOSED TO ANY PERSON, CORPORATION OR OTHER ENTITY, DUPLICATED, AND/OR USED, EXCEPT AS EXPRESSLY APPROVED IN WRITING IN ADVANCE BY OWNER. THIS DOCUMENT SHALL BE RETURNED TO OWNER UPON REQUEST. IT MAY BE SUBJECT TO CERTAIN RESTRICTIONS UNDER APPLICABLE EXPORT CONTROL LAWS AND REGULATIONS.				DATE 05-15-2000	MATERIAL	PROCESS/FINISH	
			THIRD ANGLE PROJECTION		SIZE A	DRAWING NUMBER EE7324	SHEET 1 OF 1