

# PRODUCT INFORMATION PACKET

**marathon**<sup>®</sup>  
Motors

Model No: 254TTFPA7015  
Catalog No: 254TTFPA7015  
15,3600,TEFC,254TCVZ,3/60/230/460

Regal and Marathon are trademarks of Regal Rexnord Corporation or one of its affiliated companies.  
©2024 Regal Rexnord Corporation, All Rights Reserved. MC017097E

The logo for Regal Rexnord, featuring a stylized 'R' icon followed by the text 'RegalRexnord'.

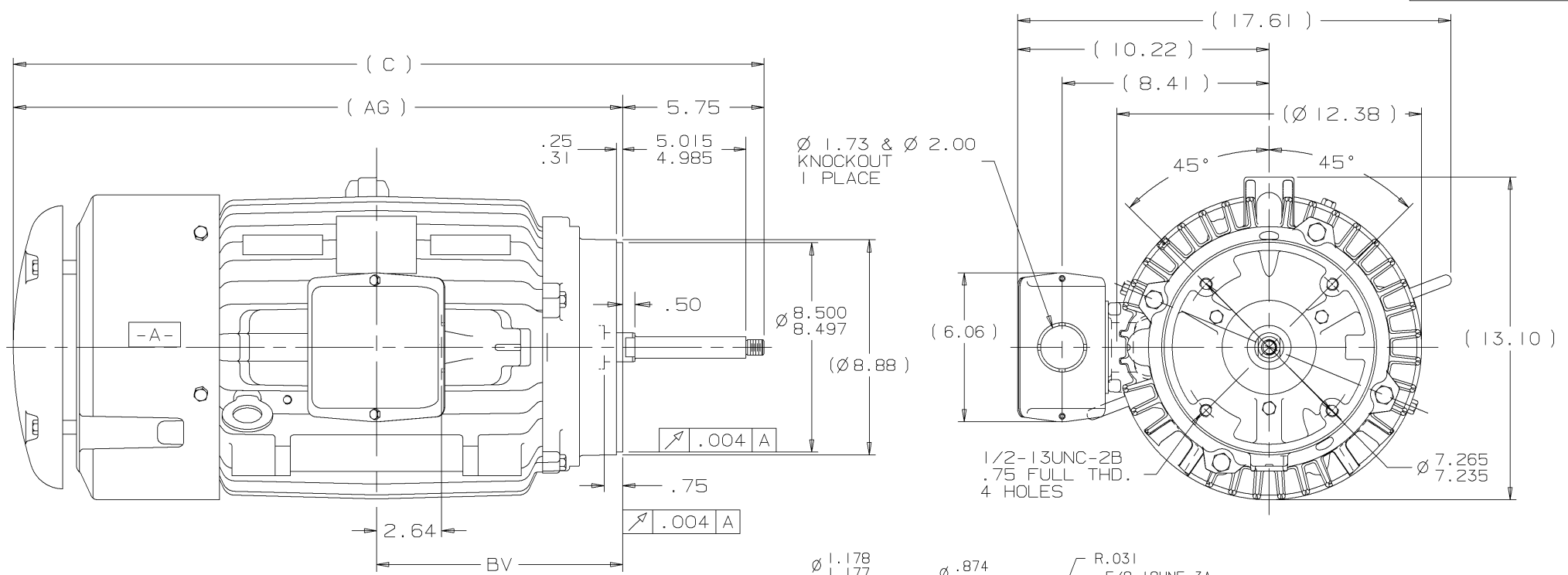
### Nameplate Specifications

Phase	<b>3</b>	Output HP	<b>15 Hp</b>
Output KW	<b>11.2 kW</b>	Voltage	<b>230/460 V</b>
Speed	<b>3515 rpm</b>	Service Factor	<b>1.15</b>
Frame	<b>254TCVZ</b>	Enclosure	<b>Totally Enclosed Fan Cooled</b>
Thermal Protection	<b>No Protection</b>	Efficiency	<b>85.5 %</b>
Ambient Temperature	<b>40 °C</b>	Frequency	<b>60 Hz</b>
Current	<b>39.0/19.4 A</b>	Power Factor	<b>85</b>
Duty	<b>Continuous</b>	Insulation Class	<b>F</b>
Design Code	<b>B</b>	KVA Code	<b>G</b>
Drive End Bearing Size	<b>309</b>	Opp Drive End Bearing Size	<b>207</b>
UL	<b>Recognized</b>	CSA	<b>Y</b>
IP Code	<b>43</b>	Number of Speeds	<b>1</b>

### Technical Specifications

Electrical Type	<b>Squirrel Cage Induction Run</b>	Starting Method	<b>Across The Line</b>
Poles	<b>2</b>	Rotation	<b>Reversible</b>
Resistance Main	<b>.894 Ohms</b>	Mounting	<b>Round</b>
Motor Orientation	<b>Shaft Down</b>	Drive End Bearing	<b>Ball</b>
Opp Drive End Bearing	<b>Ball</b>	Frame Material	<b>Cast Iron</b>
Shaft Type	<b>Single Special Extension</b>	Assembly/Box Mounting	<b>F1/F2 CAPABLE</b>
Outline Drawing	<b>B-SS203693-1175</b>	Connection Drawing	<b>A-EE7308</b>

This is an uncontrolled document once printed or downloaded and is subject to change without notice. Date Created:09/07/2024



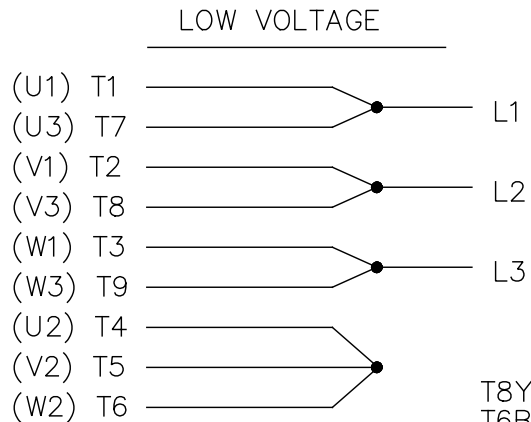
NOTES:  
 1. C BOX CAN BE ROTATED IN 90° STEPS.  
 2. NAMEPLATE TO BE READ FROM CONDUIT BOX SIDE OF MOTOR

SHAFT  
 DETAIL  
 1.5x

DASH	FRAME	C	AG	BV			3	10-15-2001	ADDED .50 DIM TO DRAWING	MU38635	CAV	✓	MAX. SURFACE ROUGHNESS UNLESS NOTED OTHERWISE	UNLESS OTHERWISE SPECIFIED DIMENSIONS ARE IN INCHES TOL. ON XX±.03 XXX±.005 XXXX±.0005 ANGLES± 7'30"
1175	254TCZ	31.12	23.00	9.12			2	09-11-2001	DASH 1350 FRAME SIZE WAS 254TCZ		DRS	MATL SPEC	MET PRO - SK1350-A	DRAWN BY MSG 08-28-2001
1350	256TCZ	32.88	24.76	10.00			1	09-05-2001	NEW DRAWING	MU38635	MSG	FINISH		CHKD BY DRS 09-04-2001
							REV	DATE	CHANGE		NAME	PART NAME	OUTLINE - TEFC	DRWG NO
												250TCZ FR. - BB - TS - STD. - 'C' FACE	B-SS203693	
									SHOP BOOK					
														DISTRIBUTION - WA - LB - WP - LM - BR   CADD FILE NO.   SS203693

EE7308

THREE PHASE  
DUAL VOLTAGE MOTOR



VIEW OF TERMINAL END

REF.  
WINDING DIAGRAM

T8Y, T2Y, T2BL, T4BX, T2EC, T2G  
T6BZ, T2B, T6BL, T4AV, T6B, T4B

OPTIONAL CORD  
CONNECTION

L1 — WHITE  
L2 — RED  
L3 — BLACK

NO.	REVISION	BY & DATE	CHK	ANG	TOLERANCES UNLESS SPECIFIED		FINISH	DRAWN RM 11/20/1990				
					DEC.	INCHES						
5	CHG TO REGAL LOGO	SL 09/10/2015	AB					CHK ML 11/21/1990				
4	REVISED IEC NOTATIONS	MSG 11/15/2011	CMN	.X	±.1			APPD SAS 04/24/2003				
3	ADDED IEC NOTATIONS... (U1), (V1) ETC. MU95194	MSG 5/10/2010	MJS	.XX	±.02		TITLE CONNECTION DIAGRAM	SCALE 1=1				
2	ADDED THE OPTIONAL CORD CONNECTION MU46318	RDH 04/24/2003	DRS	.XXX	±.005		3Ø - DUAL VOLTAGE MOTOR	REF				
1	REDRAWN	RM 11/20/1990		.XXXX	±.0005		MAT'L.	FMF				
					±7'30"			PREV				
THIS DRAWING IN DESIGN AND DETAIL IS OUR PROPERTY AND MUST NOT BE USED EXCEPT IN CONNECTION WITH OUR WORK ALL RIGHTS OF DESIGN AND INVENTION ARE RESERVED THIS IS AN ELECTRONICALLY GENERATED DOCUMENT - DO NOT SCALE THIS PRINT							RFP	CAD FILE ee7308	SIZE A	DRAWING NO. EE7308	PAGE OF 5	REV. 5
							DIST WP					



Regal Beloit America, Inc.