

PRODUCT INFORMATION PACKET

Model No: 254TTFNA7078

Catalog No: M883

Other Purpose Motor, 7.50 HP, 3 Ph, 60 Hz, 230/460 V, 1200 RPM, 254HPV Frame, TEFC

Regal and are trademarks of Regal Rexnord Corporation or one of its affiliated companies.
©2022 Regal Rexnord Corporation, All Rights Reserved. MC017097E

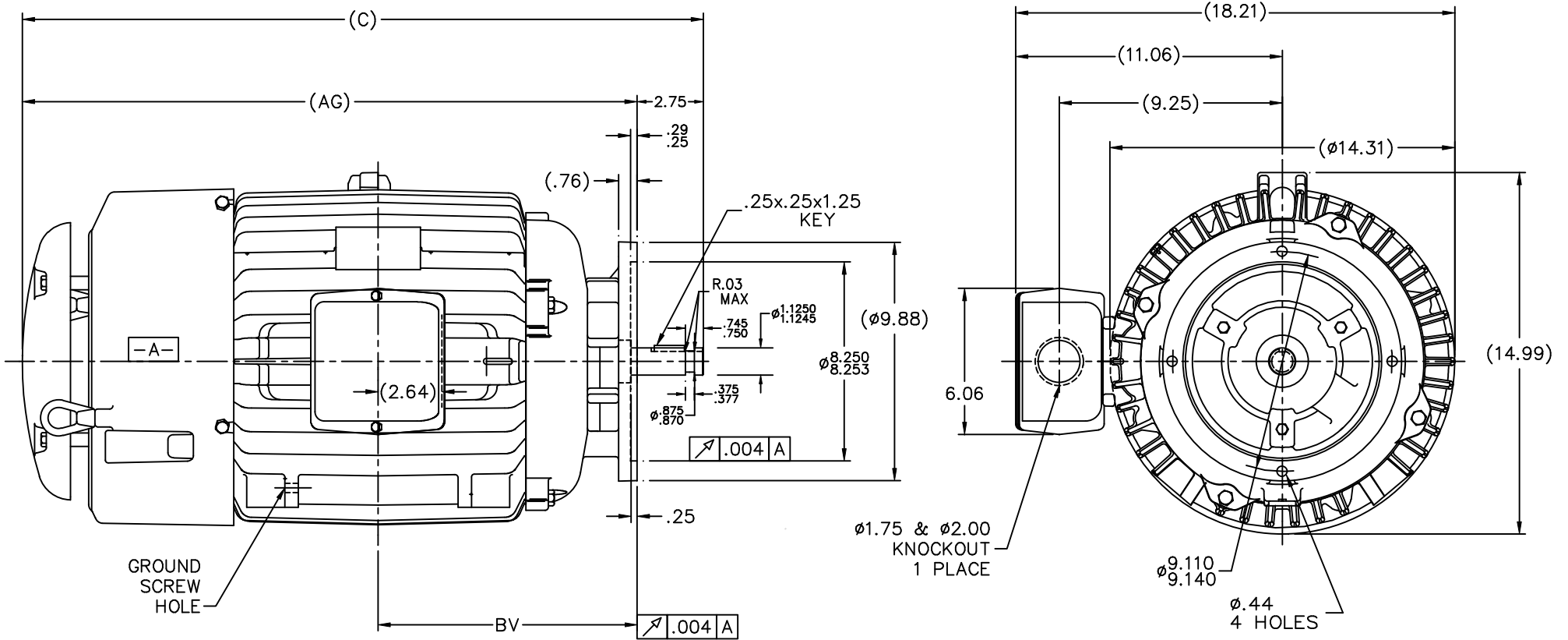


Nameplate Specifications

Output HP	7.50 Hp	Output KW	5.6 kW
Frequency	60 Hz	Voltage	230/460 V
Current	20.0/10.0 A	Speed	1170 rpm
Service Factor	1.15	Phase	3
Efficiency	88.5 %	Power Factor	79.5
Duty	Continuous	Insulation Class	F
Design Code	B	KVA Code	G
Frame	254HPV	Enclosure	Totally Enclosed Fan Cooled
Thermal Protection	No Protection	Ambient Temperature	40 °C
Drive End Bearing Size	6309	Opp Drive End Bearing Size	6210
UL	Recognized	CSA	Y
CE	Y	IP Code	43
Number of Speeds	1		

Technical Specifications

Electrical Type	Squirrel Cage Induction Run	Starting Method	Across The Line
Poles	6	Rotation	Reversible
Resistance Main	1.54 Ohms	Mounting	Round
Motor Orientation	Shaft Down	Drive End Bearing	Ball
Opp Drive End Bearing	Ball	Frame Material	Cast Iron
Shaft Type	HP	Overall Length	28.26 in
Frame Length	12.25 in	Shaft Diameter	1.125 in
Shaft Extension	2.75 in	Assembly/Box Mounting	F1/F2 CAPABLE
Connection Drawing	A-EE7308	Outline Drawing	B-SS203116-1225



- NOTES:
 1. BOX CAN ONLY BE ROTATED CLOCKWISE UP TO 270° FROM ITS ORIGINAL POSITION.
 2. NAMEPLATE TO BE READ FROM CONDUIT BOX SIDE OF MOTOR.

DASH	FRAME	C	AG	BV	NO.	REVISION	BY & DATE	CHK	ANG	TOLERANCES UNLESS SPECIFIED	FINISH	PREV
					8	REVISED DRAWING	RJW 04-04-2007			INCHES		
					7	ROTATED C'BOX 90° CN 32714	DRS 06-02-2004	ML	DEC.	±.1		
					6	ADDED GROUND SCREW HOLE CN 31554	TJB 05-03-2001		.X			
					5	.29/.25 WAS .19/.25 CN 29300-133	DRS 09-05-2000		.XX	±.03	TITLE OUTLINE - TEFC	SCALE 1=4
					4	UPDATED CONDUIT BOX CN 28427	TJB 01-25-2000		.XXX	±.005	250HP FR. - BB - TS - P'BASE	REF 280 HI MT. FR.
					3	REV. PART DESCRIPTION TEFC WAS			.XXXX	±.0005	MAT'L	FMF
									±7'30"			
					THIS DRAWING IN DESIGN AND DETAIL IS OUR PROPERTY AND MUST NOT BE USED EXCEPT IN CONNECTION WITH OUR WORK ALL RIGHTS OF DESIGN AND INVENTION ARE RESERVED THIS IS AN ELECTRONICALLY GENERATED DOCUMENT - DO NOT SCALE THIS PRINT		RFP			CAD FILE ss203116	SIZE B	DRAWING NO. SS203116
							DIST LB					PAGE OF 8



NO.		REVISION		BY & DATE		CHK		ANG		FINISH		PREV			
5	CHG TO REGAL LOGO	SL	09/10/2015	AB											
4	REVISED IEC NOTATIONS	MSG	11/15/2011	CMN	.X	±.1									
3	ADDED IEC NOTATIONS... (U1), (V1) ETC. MU95194	MSG	5/10/2010	MJS	.XX	±.02									
2	ADDED THE OPTIONAL CORD CONNECTION MU46318	RDH	04/24/2003	DRS	.XXX	±.005									
1	REDRAWN	RM	11/20/1990		.XXXX	±.0005									
THIS DRAWING IN DESIGN AND DETAIL IS OUR PROPERTY AND MUST NOT BE USED EXCEPT IN CONNECTION WITH OUR WORK ALL RIGHTS OF DESIGN AND INVENTION ARE RESERVED THIS IS AN ELECTRONICALLY GENERATED DOCUMENT - DO NOT SCALE THIS PRINT										RFP	CAD FILE ee7308	SIZE A	DRAWING NO. EE7308	PAGE OF 5	REV. 5
										DIST WP					

REGAL™ Regal Beloit America, Inc.

DRAWN RM 11/20/1990
 CHK ML 11/21/1990
 APPD SAS 04/24/2003
 SCALE 1=1
 REF
 FMF
 PREV

TITLE CONNECTION DIAGRAM
 3Ø - DUAL VOLTAGE MOTOR