

PRODUCT INFORMATION PACKET

marathon[®]
Motors

Model No: 254TTFNA6546
Catalog No: 254TTFNA6546
15 HP, Severe Duty Motors, 3 phase, 1800 RPM, 460 V, 254HPVZ Frame, TEFC
Severe Duty Motors

Regal and Marathon are trademarks of Regal Rexnord Corporation or one of its affiliated companies.
©2021 Regal Rexnord Corporation, All Rights Reserved. MC017097E

RegalRexnord

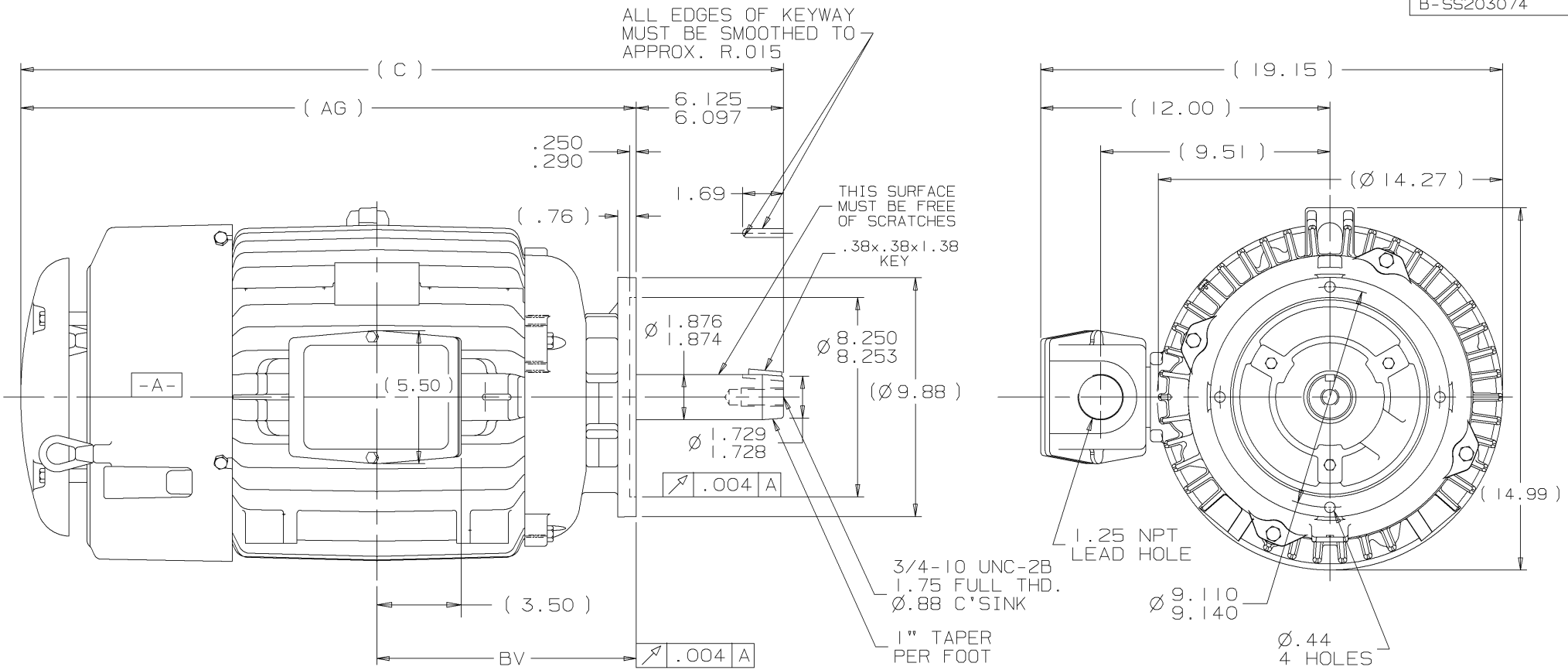
Nameplate Specifications

Output HP	15 Hp	Output KW	11.2 kW
Frequency	60 Hz	Voltage	460 V
Current	18.8 A	Speed	1775 rpm
Service Factor	1.15	Phase	3
Efficiency	92.4 %	Power Factor	81
Duty	Continuous	Insulation Class	F
Design Code	B	KVA Code	G
Frame	254HPVZ	Enclosure	Totally Enclosed Fan Cooled
Thermal Protection	No	Ambient Temperature	40 °C
Drive End Bearing Size	5311	Opp Drive End Bearing Size	210
UL	Recognized	CSA	Y
CE	Y	IP Code	54
Number of Speeds	1		

Technical Specifications

Electrical Type	Squirrel Cage Induction Run	Starting Method	Across The Line
Poles	4	Rotation	Reversible
Resistance Main	.649 Ohms	Mounting	Round
Motor Orientation	Shaft Down	Drive End Bearing	Double Angular Contact
Opp Drive End Bearing	Ball	Frame Material	Cast Iron
Shaft Type	HP Special Extension	Assembly/Box Mounting	F1/F2 CAPABLE
Outline Drawing	B-SS203074-1225	Connection Drawing	A-EE7300

This is an uncontrolled document once printed or downloaded and is subject to change without notice. Date Created:11/30/2021



- NOTES:
1. BOX CAN ONLY BE ROTATED CLOCKWISE UP TO 270° FROM ITS ORIGINAL POSITION.
 2. NAMEPLATE TO BE READ FROM CONDUIT BOX SIDE OF MOTOR.

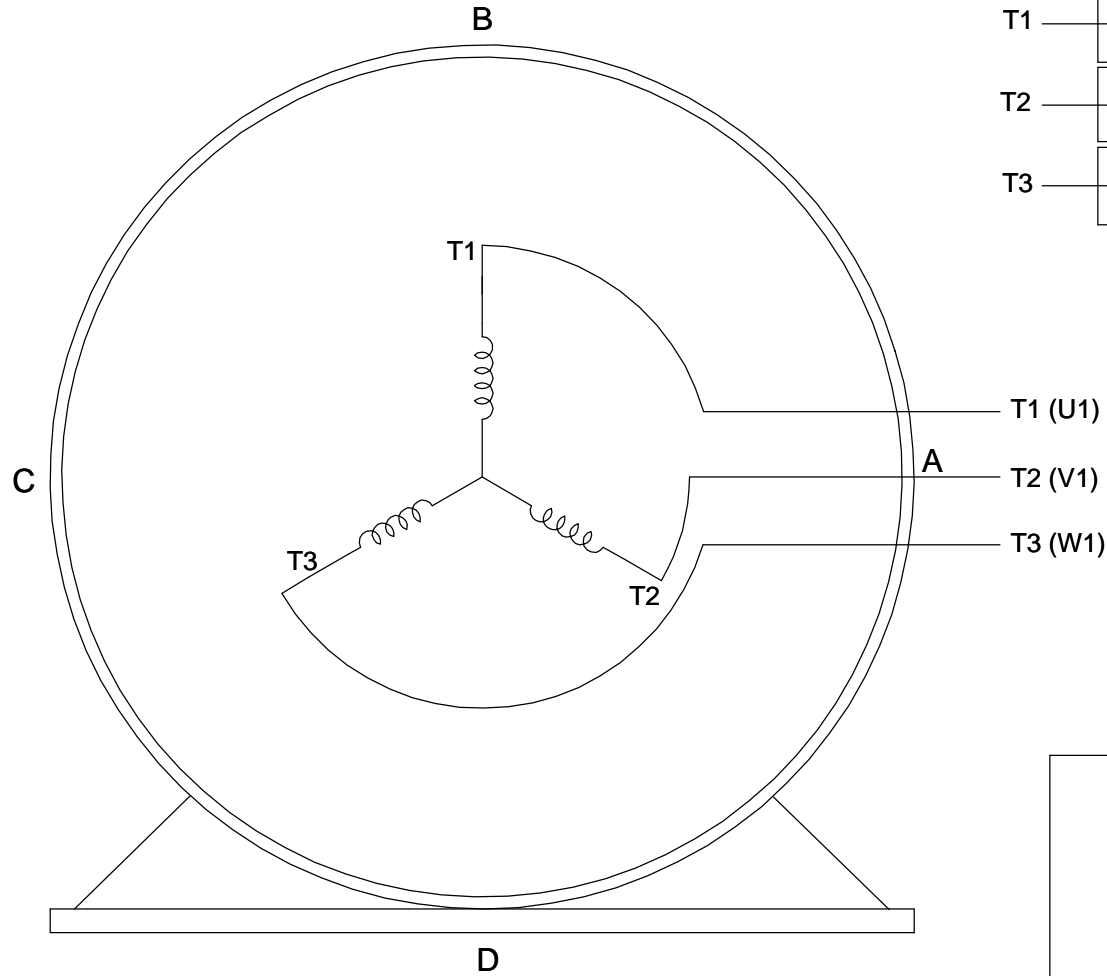
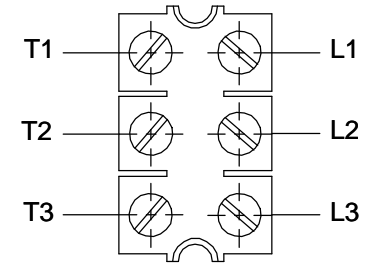
(SHAFT EXT. PER S&L 60C83-B REV.H)

DASH	FRAME	C	AG	BV	REV	DATE	CHANGE	NAME	STATUS	DESCRIPTION	APPROVAL	DATE
1225	254-6HPZ	31.62	25.51	10.75	2	03-04-1999	REMOVED EXP.PR. FROM PART NAME	MRB	✓	MAX. SURFACE ROUGHNESS UNLESS NOTED OTHERWISE	UNLESS OTHERWISE SPECIFIED DIMENSIONS ARE IN INCHES TOL. ON XX±.03 XXX±.005 XXXX±.0005 ANGLES± 7'30"	
					1	04-04-1996	NEW DRAWING	BLR		FINISH	DRAWN BY BLR	04-02-1996
							4375939	BLR		280 HI MOUNT FR.	CHKD BY ML	04-04-1996
								BLR		PART NAME OUTLINE	APPD BY BW	04-04-1996
										250HPZ FR. - BB - TS - 'P' BASE	DRWG NO B-SS203074	
										DISTRIBUTION - WA - LB - WP - LM	CADD FILE NO. SS203074	

**THREE PHASE - SINGLE VOLTAGE
MOTOR - CONDUIT BOX @ 'A'**

**TO REVERSE ROTATION:
INTERCHANGE ANY TWO
LINE LEAD CONNECTIONS.**

TERMINAL BLOCK WHEN SPECIFIED



VIEW OF TERMINAL END

**IF MOTOR HAS
6 LEADS**



A-9806 DECAL

**OPTIONAL CORD
CONNECTION**



DRAWING REVISION AB	REVISION BY JJB	DATE 06-27-2017
ECO ECO-0125361	APPROVED BY TB	DATE 06-27-2017
ECO DESCRIPTION UPDATED TO CURRENT STANDARDS		
<small>COPYRIGHT REGAL BELOIT AMERICA, INC. ALL RIGHTS RESERVED. PROPRIETARY AND CONFIDENTIAL INFORMATION - THIS DOCUMENT IS THE PROPERTY OF REGAL BELOIT AMERICA, INC. ("OWNER") AND CONTAINS OWNER'S PROPRIETARY INFORMATION. ANY PERSON, CORPORATION OR OTHER FIRM RECEIVING IT IS DEEMED, BY RECEIVING IT, TO AGREE THAT IT, AND/OR ANY PART OF IT, SHALL NOT BE DISCLOSED TO ANY PERSON, CORPORATION OR OTHER ENTITY, DUPLICATED, AND/OR USED, EXCEPT AS EXPRESSLY APPROVED IN WRITING IN ADVANCE BY OWNER. THIS DOCUMENT SHALL BE RETURNED TO OWNER UPON REQUEST. IT MAY BE SUBJECT TO CERTAIN RESTRICTIONS UNDER APPLICABLE EXPORT CONTROL LAWS AND REGULATIONS.</small>		



DRAWN BY DA
DATE 03-26-1993
APPROVED BY TB
DATE 03-26-1993
REFERENCE
THIRD ANGLE PROJECTION

Regal Beloit America, Inc.	
DESCRIPTION CONNECTION DIAGRAM EXTERNAL - SINGLE VOLTAGE - 3Ø MOTOR	
MATERIAL	PROCESS/FINISH
SIZE A	DRAWING NUMBER EE7300
SHEET 1 OF 1	