

PRODUCT INFORMATION PACKET

marathon[®]
Motors

Model No: 254TTFL4035

Catalog No: U723

15 HP General Purpose Motor, 3 phase, 1800 RPM, 575 V, 254TC Frame, TEFC
General Purpose Motors

Regal and Marathon are trademarks of Regal Rexnord Corporation or one of its affiliated companies.
©2021 Regal Rexnord Corporation, All Rights Reserved. MC017097E

RegalRexnord



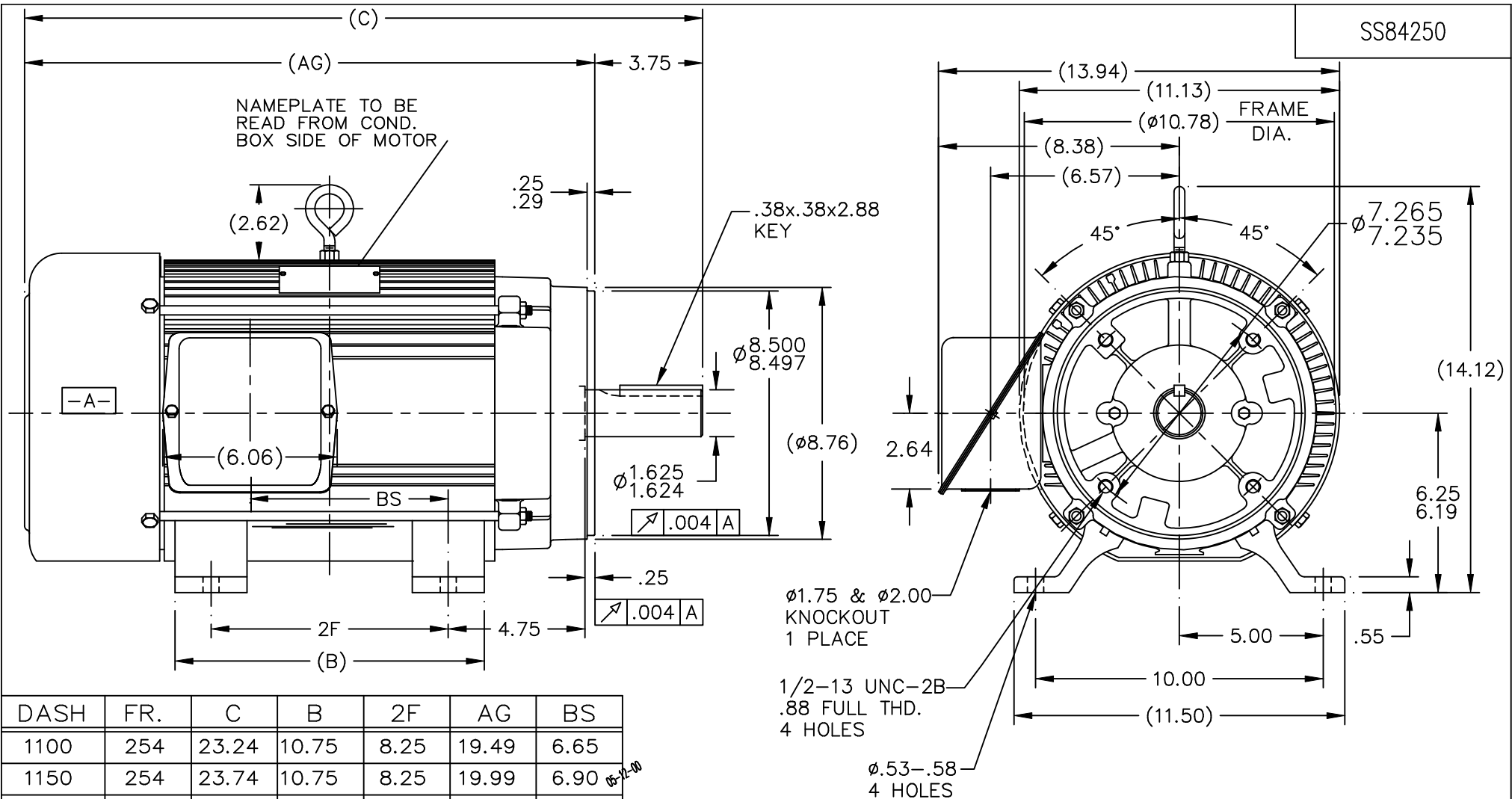
Nameplate Specifications

Output HP	15 Hp	Output KW	11.2 kW
Frequency	60 Hz	Voltage	575 V
Current	16.0 A	Speed	1750 rpm
Service Factor	1.15	Phase	3
Efficiency	91 %	Power Factor	78
Duty	Continuous	Insulation Class	F
Design Code	B	KVA Code	G
Frame	254TC	Enclosure	Totally Enclosed Fan Cooled
Thermal Protection	No	Ambient Temperature	40 °C
Drive End Bearing Size	6309	Opp Drive End Bearing Size	6207
UL	Recognized	CSA	Y
CE	N	IP Code	43
Number of Speeds	1		

Technical Specifications

Electrical Type	Squirrel Cage Induction Run	Starting Method	Across The Line
Poles	4	Rotation	Reversible
Resistance Main	.757 Ohms	Mounting	Rigid Base
Motor Orientation	Horizontal	Drive End Bearing	Ball
Opp Drive End Bearing	Ball	Frame Material	Aluminum
Shaft Type	T	Overall Length	23.24 in
Frame Length	11.00 in	Shaft Diameter	1.625 in
Shaft Extension	4 in	Assembly/Box Mounting	F1/F2 Capable
Outline Drawing	A-SS84250-1100	Connection Drawing	A-EE7300

This is an uncontrolled document once printed or downloaded and is subject to change without notice. Date Created:10/06/2021



DASH	FR.	C	B	2F	AG	BS
1100	254	23.24	10.75	8.25	19.49	6.65
1150	254	23.74	10.75	8.25	19.99	6.90
1275	256	24.99	12.50	10.00	21.24	8.40
1325	256	25.49	13.00	10.00	21.74	8.90
1475	256	26.99	14.25	10.00	23.24	10.40
1500	256	27.24	14.75	10.00	23.49	10.65

NOTES:

- BOX CAN BE ROTATED IN 180° STEPS.
- BOX CAN BE MOUNTED ON OPPOSITE SIDE BY REMOVING BRACKETS & TURNING FRAME 180°.

NO.	REVISION	BY & DATE	CHK	ANG	TOLERANCES UNLESS SPECIFIED	FINISH	PREV
10	-1150; 'B' DIMENSION WAS 11.25	CN 33571	DRS	06-12-2004	ML		
9	REVISED DASH 1475	CN 31995	TJB	06-03-2004	TB	DEC. INCHES	
8	REMOVED 2.50 DIM. ON THE FEET	CN 31875	TJB	10-18-2002	ML	.X ±.1	
7	UPDATED CONDUIT BOX	CN 28427	CAV	02-11-2000		.XX ±.03	
6	REVISED TABULATED FRAME SIZES AND 2F DIMENSIONS	MRB 05-25-1999				.XXX ±.005	
5	UPDATED SHAFT HEIGHT	CN 165763	RM	10-16-1996		.XXXX ±.0005	
						±7'30"	

THIS DRAWING IN DESIGN AND DETAIL IS OUR PROPERTY AND MUST NOT BE USED EXCEPT IN CONNECTION WITH OUR WORK ALL RIGHTS OF DESIGN AND INVENTION ARE RESERVED THIS IS AN ELECTRONICALLY GENERATED DOCUMENT - DO NOT SCALE THIS PRINT		RFP	CAD FILE ss84250	SIZE	DRAWING NO.	PAGE	OF	REV.
		DIST LB		A	SS84250			10



TITLE OUTLINE
254-56 FR. MTG. ALUM. - C'FACE - TEFC

DRAWN	RM 10-14-1992
CHK	ML 10-14-1992
APPD	GK 10-14-1992
SCALE	1=5
REF	
FMF	
PREV	

**THREE PHASE - SINGLE VOLTAGE
MOTOR - CONDUIT BOX @ 'A'**

**TO REVERSE ROTATION:
INTERCHANGE ANY TWO
LINE LEAD CONNECTIONS.**

TERMINAL BLOCK WHEN SPECIFIED



VIEW OF TERMINAL END

**IF MOTOR HAS
6 LEADS**



A-9806 DECAL

**OPTIONAL CORD
CONNECTION**



DRAWING REVISION AB	REVISION BY JJB	DATE 06-27-2017
ECO ECO-0125361	APPROVED BY TB	DATE 06-27-2017
ECO DESCRIPTION UPDATED TO CURRENT STANDARDS		
<small>COPYRIGHT REGAL BELOIT AMERICA, INC. ALL RIGHTS RESERVED. PROPRIETARY AND CONFIDENTIAL INFORMATION - THIS DOCUMENT IS THE PROPERTY OF REGAL BELOIT AMERICA, INC. ("OWNER") AND CONTAINS OWNER'S PROPRIETARY INFORMATION. ANY PERSON, CORPORATION OR OTHER FIRM RECEIVING IT IS DEEMED, BY RECEIVING IT, TO AGREE THAT IT, AND/OR ANY PART OF IT, SHALL NOT BE DISCLOSED TO ANY PERSON, CORPORATION OR OTHER ENTITY, DUPLICATED, AND/OR USED, EXCEPT AS EXPRESSLY APPROVED IN WRITING IN ADVANCE BY OWNER. THIS DOCUMENT SHALL BE RETURNED TO OWNER UPON REQUEST. IT MAY BE SUBJECT TO CERTAIN RESTRICTIONS UNDER APPLICABLE EXPORT CONTROL LAWS AND REGULATIONS.</small>		



DRAWN BY DA
DATE 03-26-1993
APPROVED BY TB
DATE 03-26-1993
REFERENCE
THIRD ANGLE PROJECTION

Regal Beloit America, Inc.		
DESCRIPTION CONNECTION DIAGRAM EXTERNAL - SINGLE VOLTAGE - 3Ø MOTOR		
MATERIAL	PROCESS/FINISH	
SIZE A	DRAWING NUMBER EE7300	SHEET 1 OF 1