

PRODUCT INFORMATION PACKET

Model No: 254TTFL17039

Catalog No: H623

Other Purpose Motor, 15 HP, 3 Ph, 60 Hz, 200 V, 1800 RPM, 254T Frame, TEFC

Regal and are trademarks of Regal Rexnord Corporation or one of its affiliated companies.
©2022 Regal Rexnord Corporation, All Rights Reserved. MC017097E



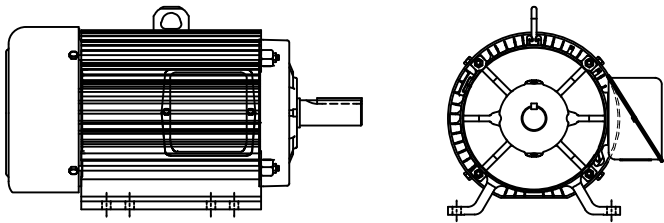
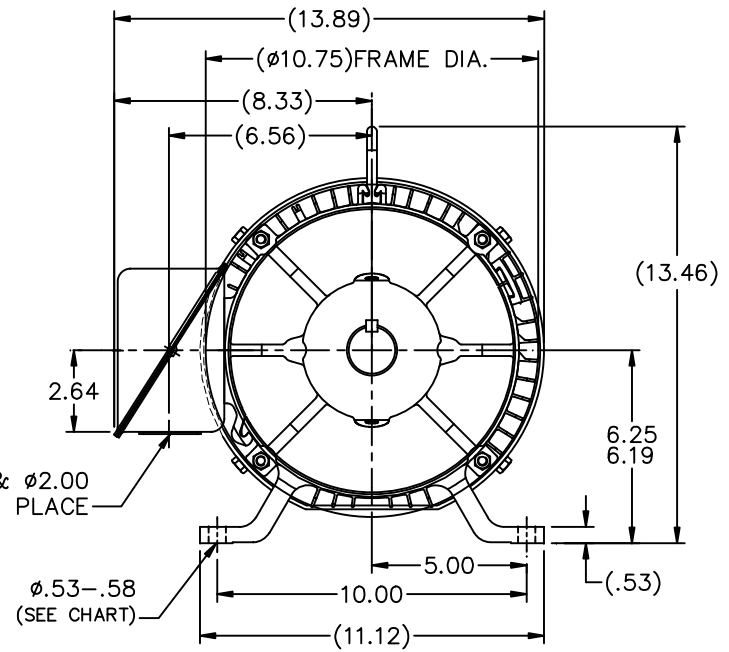
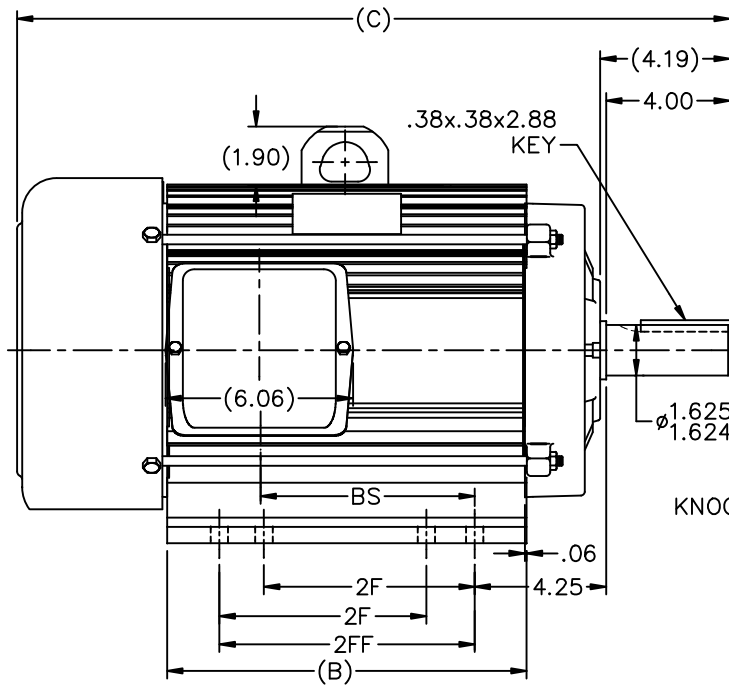
Nameplate Specifications

Output HP	15 Hp	Output KW	11.2 kW
Frequency	60 Hz	Voltage	200 V
Current	44.5 A	Speed	1740 rpm
Service Factor	1.15	Phase	3
Efficiency	88.5 %	Power Factor	81
Duty	Continuous	Insulation Class	F
Design Code	B	KVA Code	G
Frame	254T	Enclosure	Totally Enclosed Fan Cooled
Thermal Protection	No Protection	Ambient Temperature	40 °C
Drive End Bearing Size	6309	Opp Drive End Bearing Size	6309
UL	Recognized	CSA	Y
CE	Y	IP Code	43
Number of Speeds	1		

Technical Specifications

Electrical Type	Squirrel Cage Induction Run	Starting Method	Across The Line
Poles	4	Rotation	Reversible
Resistance Main	.785 Ohms	Mounting	Rigid Base
Motor Orientation	Horizontal	Drive End Bearing	Ball
Opp Drive End Bearing	Ball	Frame Material	Aluminum
Shaft Type	T	Overall Length	22.49 in
Frame Length	11.00 in	Shaft Diameter	1.625 in
Shaft Extension	4 in	Assembly/Box Mounting	F1/F2 CAPABLE
Connection Drawing	A-EE7300	Outline Drawing	B-SS330109-1100

This is an uncontrolled document once printed or downloaded and is subject to change without notice. Date Created:09/07/2022



F2 CONDUIT BOX LOCATION

NOTES:

1. CONDUIT BOX CAN BE ROTATED IN 180° STEPS.
2. NAMEPLATE TO BE READ FROM CONDUIT BOX SIDE OF MOTOR
3. SEE CHART FOR F2 CAPABILITY. IF YES, BOX CAN BE MOUNTED ON OPPOSITE SIDE BY REMOVING BRACKETS AND TURNING FRAME 180°

DASH	FRAME	B	C	2F	2FF	BS	F2 CAPABLE	NO. OF MTG. HOLES
1100	254T	11.12	22.49	8.25	-	6.46	NO	4
1150	254T	11.62	22.99	8.25	-	6.96	YES	4
1275	254T	12.87	24.24	8.25	-	8.21	NO	4
1275	254T	12.87	24.24	8.25	-	8.21	YES	8
1275	256T	12.87	24.24	10.00	-	8.21	NO	4
1325	254T	13.37	24.74	8.25	10.00	8.25	YES	8
1325	256T	13.37	24.74	10.00	-	8.71	YES	4
1375	256T	13.87	25.24	10.00	-	9.21	YES	4
1475	256T	14.87	26.24	10.00	-	10.21	YES	8

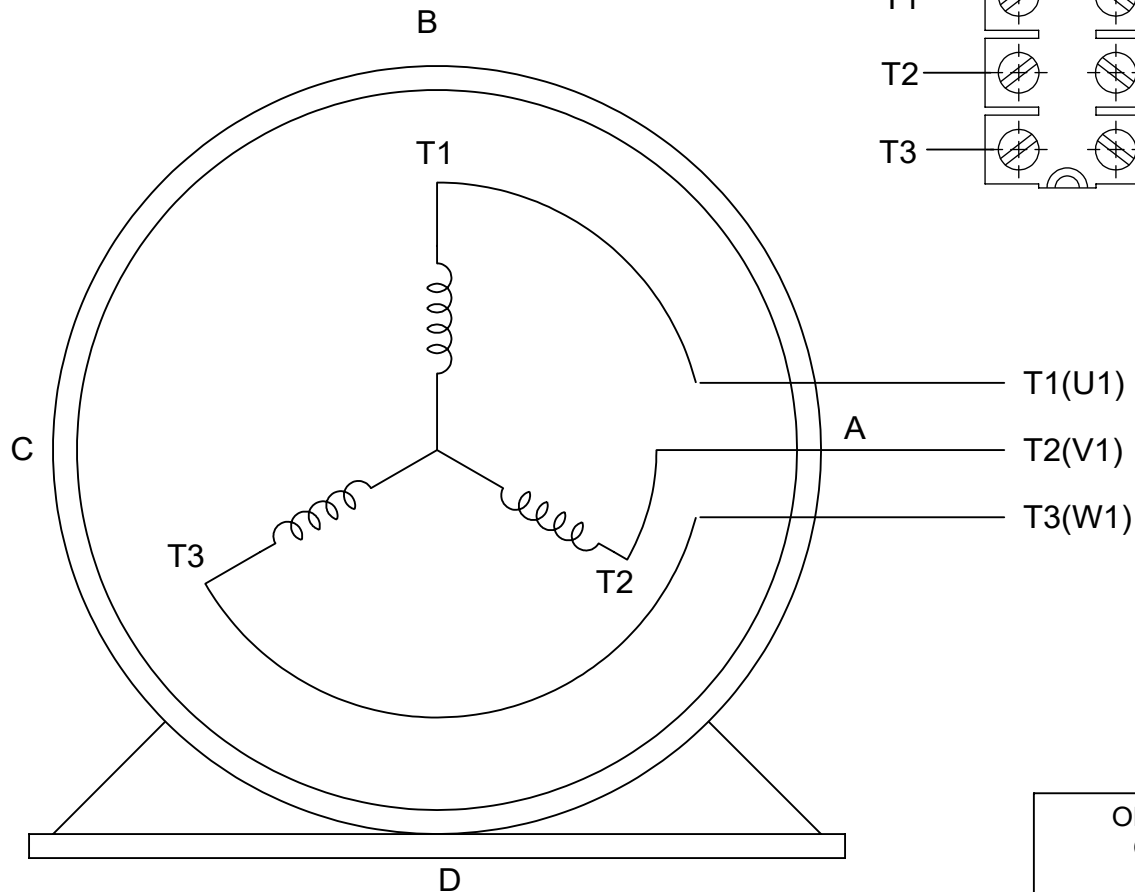
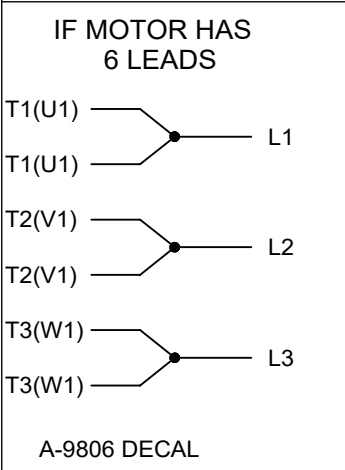
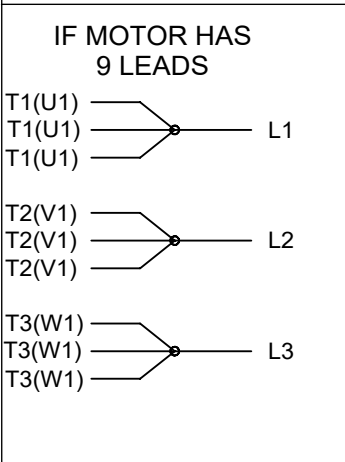
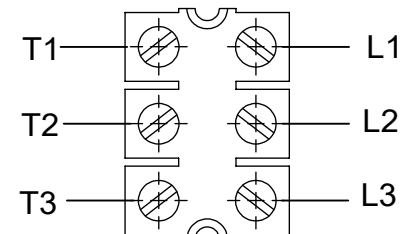
NO.	REVISION	BY & DATE	CHK	ANG	±7°30'	FINISH	PREV
8	REMOVED DIMENSION 9.50 FROM -1275 / 2FF	RJW 6/17/2008	ML				
7	UPDATED DRAWING	RJW 04-12-2007	DEC.				
6	REVISED DASH 1275 (2F) WAS 10.00 ECN8752 CN40215	RJW 06-21-2006	ML	.XX	±.1		
5	ADDED "2FF" COLUMN CN 40215	JJB 06/01/2006	ML	.XX	±.03		
4	-1475; '2F' DIMENSION WAS 12.00 CN 46434	DRS 05-08-2006	ML	.XXX	±.005		
3	REVISED DASH 1475 / 2F WAS 11.50 CN46368	RJW 02-14-2006	ML	.XXXX	±.0005		
TOLERANCES UNLESS SPECIFIED		MARATHON ELECTRIC		TITLE OUTLINE		DRAWN MJK 04-13-2005	
CAD FILE ss330109		SCALE 1=4		210 FR.-254/56 MTG. ALUMINUM FR.-TEFC		CHK ML 08-18-2005	
DIST LB		APPD CGD 08-18-2005		REF		SCALE 1=4	
SIZE B		DRAWING NO. SS330109		PAGE OF 8		REV.	

THIS DRAWING IN DESIGN AND DETAIL IS OUR PROPERTY AND MUST NOT BE USED EXCEPT IN CONNECTION WITH OUR WORK ALL RIGHTS OF DESIGN AND INVENTION ARE RESERVED THIS IS AN ELECTRONICALLY GENERATED DOCUMENT - DO NOT SCALE THIS PRINT

THREE PHASE - SINGLE VOLTAGE
MOTOR - CONDUIT BOX @ 'A'

TERMINAL BLOCK WHEN SPECIFIED

TO REVERSE ROTATION:
INTERCHANGE ANY TWO LINE
LEAD CONNECTIONS



VIEW OF TERMINAL END

OPTIONAL CORD CONNECTION

L1	WHITE
L2	RED
L3	BLACK

DRAWING REVISION AC	REVISION BY BS	REV DATE/© DATE 26/07/2022
REQUEST NUMBER CR-0010402	APPROVED BY SN	DATE 26/07/2022
REQUEST NUMBER DESCRIPTION DRAWING UPDATED		
<small>COPYRIGHT (PER REVISION DATE) REGAL BELOIT AMERICA, INC. ALL RIGHTS RESERVED. PROPRIETARY AND CONFIDENTIAL INFORMATION - THIS DOCUMENT IS THE PROPERTY OF REGAL BELOIT AMERICA, INC. ("OWNER") AND CONTAINS OWNER'S PROPRIETARY INFORMATION. ANY PERSON, CORPORATION OR OTHER FIRM RECEIVING IT IS DEEMED, BY RECEIVING IT, TO AGREE THAT IT, AND/OR ANY PART OF IT, SHALL NOT BE DISCLOSED TO ANY PERSON, CORPORATION OR OTHER ENTITY, DUPLICATED, AND/OR USED, EXCEPT AS EXPRESSLY APPROVED IN WRITING IN ADVANCE BY OWNER. THIS DOCUMENT SHALL BE RETURNED TO OWNER UPON REQUEST. IT MAY BE SUBJECT TO CERTAIN RESTRICTIONS UNDER APPLICABLE EXPORT CONTROL LAWS AND REGULATIONS.</small>		

PRIMARY DIMENSIONS ARE INCH
mm DIMENSIONS IN [BRACKETS]
ARE FOR REFERENCE ONLY

DRAWN BY DA
DATE 03-26-1993
APPROVED BY TB
DATE 03-26-1993
REFERENCE
THIRD ANGLE PROJECTION

		Regal Beloit America, Inc.	
DESCRIPTION CONNECTION DIAGRAM EXTERNAL - SINGLE VOLTAGE - 3Ø MOTOR			
MATERIAL		PROCESS/FINISH	
SIZE A	DRAWING NUMBER EE7300		SHEET 1 OF 1