

PRODUCT INFORMATION PACKET

marathon®
Motors

Model No: 254TTFL16008

Catalog No: U344A

Close-Coupled Pump Motor, 15 & 10 HP, 3 Ph, 60 & 50 Hz, 230/460 & 190/380 V, 3600 & 3000 RPM,
254JM Frame, TEFC



Regal and Marathon are trademarks of Regal Rexnord Corporation or one of its affiliated companies.

©2023 Regal Rexnord Corporation, All Rights Reserved. MC017097E

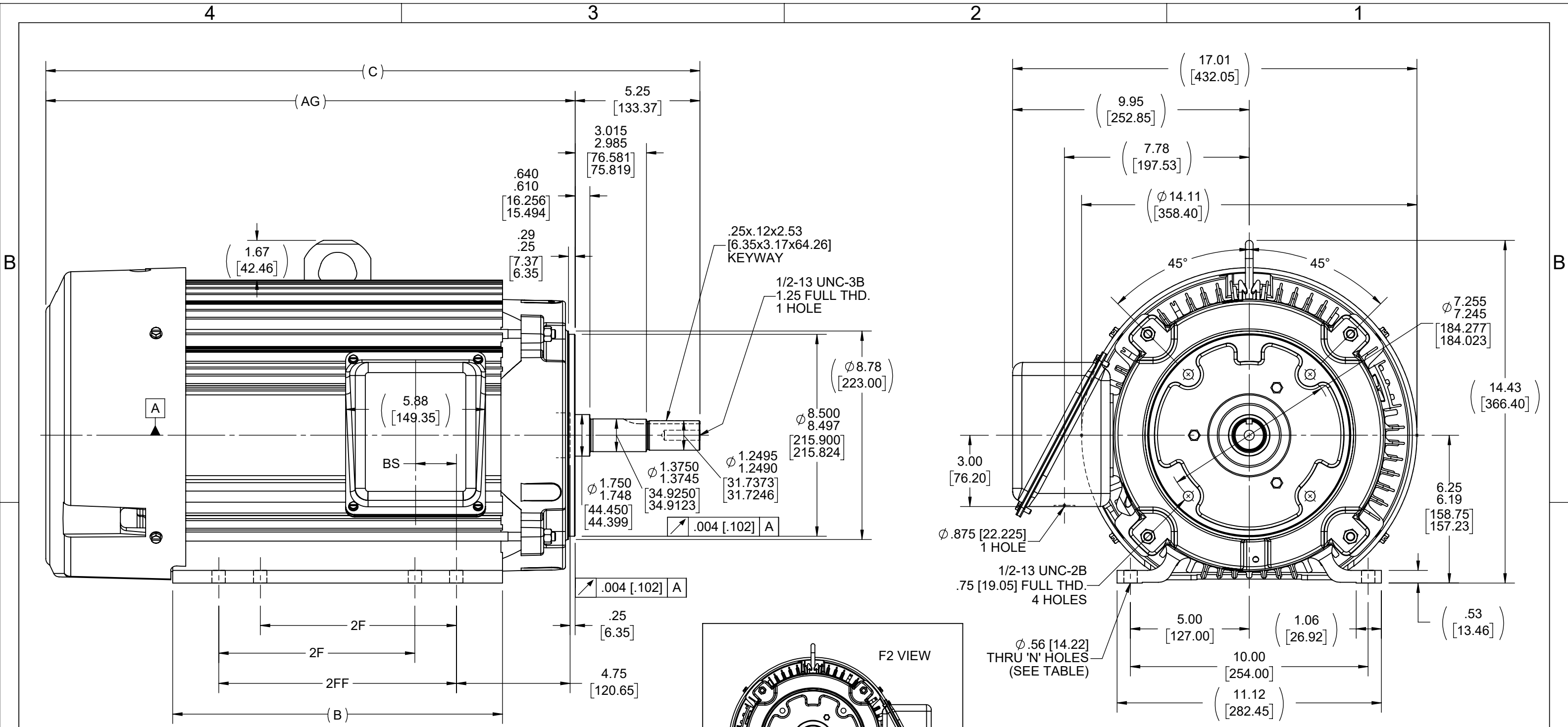
RegalRexnord

Nameplate Specifications

Phase	3	Output HP	15 & 10 Hp
Output KW	11.2 & 7.5 kW	Voltage	230/460 & 190/380 V
Speed	3535 & 2950 rpm	Service Factor	1.15 & 1.15
Frame	254JM	Enclosure	Totally Enclosed Fan Cooled
Thermal Protection	No Protection	Efficiency	91 & 90.2 %
Ambient Temperature	40 °C	Frequency	60 & 50 Hz
Current	36/18 & 30/15 A	Power Factor	86
Duty	Continuous	Insulation Class	F
Design Code	B	KVA Code	G
Drive End Bearing Size	6309	Opp Drive End Bearing Size	6208
UL	Recognized	CSA	Y
CE	Y	IP Code	43
Number of Speeds	1		

Technical Specifications

Electrical Type	Squirrel Cage Induction Run	Starting Method	Across The Line
Poles	2	Rotation	Reversible
Resistance Main	.66 Ohms	Mounting	Rigid Base
Motor Orientation	Horizontal	Drive End Bearing	Ball
Opp Drive End Bearing	Ball	Frame Material	Aluminum
Shaft Type	JM	Overall Length	25.52 in
Frame Length	12.00 in	Shaft Diameter	1.250 in
Shaft Extension	5.25 in	Assembly/Box Mounting	F1/F2 Capable
Connection Drawing	A-EE7308	Outline Drawing	B-SS321151-1200



- NOTES:
 1. CONDUIT BOX CAN BE ROTATED IN 90° STEPS.
 2. CONDUIT BOX CAN BE MOUNTED ON OPPOSITE SIDE BY REMOVING BRACKETS AND TURNING FRAME 180°.
 3. NAMEPLATES READ FROM CONDUIT BOX SIDE OF MOTOR.

1200	254JM	25.78 [654.70]	20.53 [521.34]	12.13 [308.10]	---	8.25 [209.55]	1.73 [43.94]	4
1375	254/256JM	27.53 [699.15]	22.76 [565.79]	13.88 [352.55]	8.25 [209.55]	10.00 [254.00]	1.73 [43.94]	8
DASH	FRAME	C	AG	B	2F	2FF	BS	N

DRAWING REVISION E	REVISION BY SP	DATE 05-26-2021
ECO CR-0001205	APPROVED BY AS	DATE 05-26-2021
ECO DESCRIPTION REPLACED FAN GAURD 3C223-E3 TO 205016B		
<small>COPYRIGHT REGAL BELOIT AMERICA, INC. ALL RIGHTS RESERVED PROPRIETARY AND CONFIDENTIAL INFORMATION - THIS DOCUMENT IS THE PROPERTY OF REGAL BELOIT AMERICA, INC. ("OWNER") AND CONTAINS OWNER'S PROPRIETARY INFORMATION. ANY PERSON, CORPORATION OR OTHER FIRM RECEIVING IT IS DEEMED, BY RECEIVING IT, TO AGREE THAT IT, AND/OR ANY PART OF IT, SHALL NOT BE DISCLOSED TO ANY PERSON, CORPORATION OR OTHER ENTITY, DUPLICATED, AND/OR USED, EXCEPT AS EXPRESSLY APPROVED IN WRITING IN ADVANCE BY OWNER. THIS DOCUMENT SHALL BE RETURNED TO OWNER UPON REQUEST. IT MAY BE SUBJECT TO CERTAIN RESTRICTIONS UNDER APPLICABLE EXPORT CONTROL LAWS AND REGULATIONS.</small>		

TOLERANCES UNLESS OTHERWISE SPECIFIED:
 DEC. INCH mm ANGLE
 .X ±0.1 [±2.5] ±7° 30"
 .XX ±0.03 [±0.76]
 .XXX ±0.005 [±0.127]
 .XXXX ±0.0005 [±0.0127]
 REMOVE BURRS & BREAK SHARP EDGES: .003/.015 [0.076/.381] X 45°
 CORNER FILLETS: R.02 [51]
 MACHINED SURFACES: 200 INCH mm 5.1
 mm SHOWN IN [BRACKETS]

DRAWN BY
RWR
DATE
07-10-2007
APPROVED BY
ML
DATE
07-11-2007
REFERENCE
THIRD ANGLE PROJECTION

REGAL™ Regal Beloit America, Inc.

DESCRIPTION
OUTLINE
250 JM FR. - TEFC - ALUMINUM FRAME

MATERIAL PROCESS/FINISH

SIZE **B** DRAWING NUMBER **SS321151** SHEET 1 OF 1

EE7308

THREE PHASE
DUAL VOLTAGE MOTOR



VIEW OF TERMINAL END

REF.
WINDING DIAGRAM

T8Y, T2Y, T2BL, T4BX, T2EC, T2G
T6BZ, T2B, T6BL, T4AV, T6B, T4B

OPTIONAL CORD
CONNECTION

L1 — WHITE
L2 — RED
L3 — BLACK

NO.	REVISION	BY & DATE	CHK	ANG	TOLERANCES UNLESS SPECIFIED		FINISH	DRAWN RM 11/20/1990				
					DEC.	INCHES						
5	CHG TO REGAL LOGO	SL 09/10/2015	AB					CHK ML 11/21/1990				
4	REVISED IEC NOTATIONS	MSG 11/15/2011	CMN	.X	±.1			APPD SAS 04/24/2003				
3	ADDED IEC NOTATIONS... (U1), (V1) ETC. MU95194	MSG 5/10/2010	MJS	.XX	±.02		TITLE CONNECTION DIAGRAM	SCALE 1=1				
2	ADDED THE OPTIONAL CORD CONNECTION MU46318	RDH 04/24/2003	DRS	.XXX	±.005		3Ø - DUAL VOLTAGE MOTOR	REF				
1	REDRAWN	RM 11/20/1990		.XXXX	±.0005		MAT'L.	FMF				
					±7'30"			PREV				
THIS DRAWING IN DESIGN AND DETAIL IS OUR PROPERTY AND MUST NOT BE USED EXCEPT IN CONNECTION WITH OUR WORK ALL RIGHTS OF DESIGN AND INVENTION ARE RESERVED THIS IS AN ELECTRONICALLY GENERATED DOCUMENT - DO NOT SCALE THIS PRINT							RFP	CAD FILE ee7308	SIZE A	DRAWING NO. EE7308	PAGE OF 5	REV. 5
							DIST WP					



Regal Beloit America, Inc.

CERTIFICATION DATA SHEET

Model#: 254TTFL16008 AN
CONN. DIAGRAM: A-EE7308
OUTLINE: B-SS321151-1200

WINDING#: K254296 R1 6
ASSEMBLY: F1/F2 CAPABLE

TYPICAL MOTOR PERFORMANCE DATA

HP	KW	SYNC. RPM	F.L. RPM	FRAME	ENCLOSURE	KVA CODE	DESIGN
15&10	11.2&7.5	3600	3535&2950	254JM	TEFC	G	B

PH	Hz	VOLTS	FL AMPS	START TYPE	DUTY	INSL	S.F	AMB°C	ELEVATION
3	60/50	230/460#190/ 380	36/18&30/15	ACROSS THE LINE	CONTINUOU S	F3	1.15/1.15	40	3300

FULL LOAD EFF: 91&90.2	3/4 LOAD EFF: 90.2	1/2 LOAD EFF: 88.5	GTD. EFF	ELEC. TYPE	NO LOAD AMPS
FULL LOAD PF: 86&84	3/4 LOAD PF: 82	1/2 LOAD PF: 73	90.2	SQ CAGE IND RUN	13.6 / 6.8

F.L. TORQUE	LOCKED ROTOR AMPS	L.R. TORQUE	B.D. TORQUE	F.L. RISE°C
22.2 LB-FT	232 / 116	38 LB-FT 170	62 LB-FT 280	65

SOUND PRESSURE @ 3 FT.	SOUND POWER	ROTOR WK^2	MAX. WK^2	SAFE STALL TIME	STARTS /HOUR	APPROX. MOTOR WGT
72 dBA	82 dBA	1.1 LB-FT^2	22 LB-FT^2	20 SEC.	2	- LBS.

***** SUPPLEMENTAL INFORMATION *****

DE BRACKET TYPE	ODE BRACKET TYPE	MOUNT TYPE	ORIENTATION	SEVERE DUTY	HAZARDOUS LOCATION	DRIP COVER	SCREENS	PAINT
C-FACE	STANDARD	RIGID	HORIZONTAL	FALSE	NONE	FALSE	NONE	BLUE (ENAMEL)

BEARINGS		GREASE	SHAFT TYPE	SPECIAL DE	SPECIAL ODE	SHAFT MATERIAL	FRAME MATERIAL
DE	OPE						
BALL	BALL	POLYREX EM	JM	NONE	NONE	1045 HOT ROLLED (C-204)	ALUMINUM
6309	6208						

THERMO-PROTECTORS				THERMISTORS	CONTROL	SPACE /n HEATERS
THERMOSTATS	PROTECTORS	WDG RTDs	BRG RTDs			
NONE	NOT	NONE	NONE	NONE	FALSE	NONE VOLTS

If Inverter equals NONE, contact factory for further information

*
N
O
T
E
S
*

INVERTER TORQUE: NONE
INV. HP SPEED RANGE: NONE
ENCODER: NONE
NONE NONE
NONE NONE PPR
BRAKE: NONE NONE
NONE P/N NONE
NONE NONE
NONE FT-LB NONE V NONE Hz

DATE: 06/23/2017 04:05:44 AM
 FORM 3531 REV.3 02/07/99
 ** Subject to change without notice.

Data Sheet

Date: 20-06-2017
Customer: _____
Attention: _____
Submitted by: FAREEDA DUDEKULA



254TTFL16008

Submittal

Data @ **460 V**

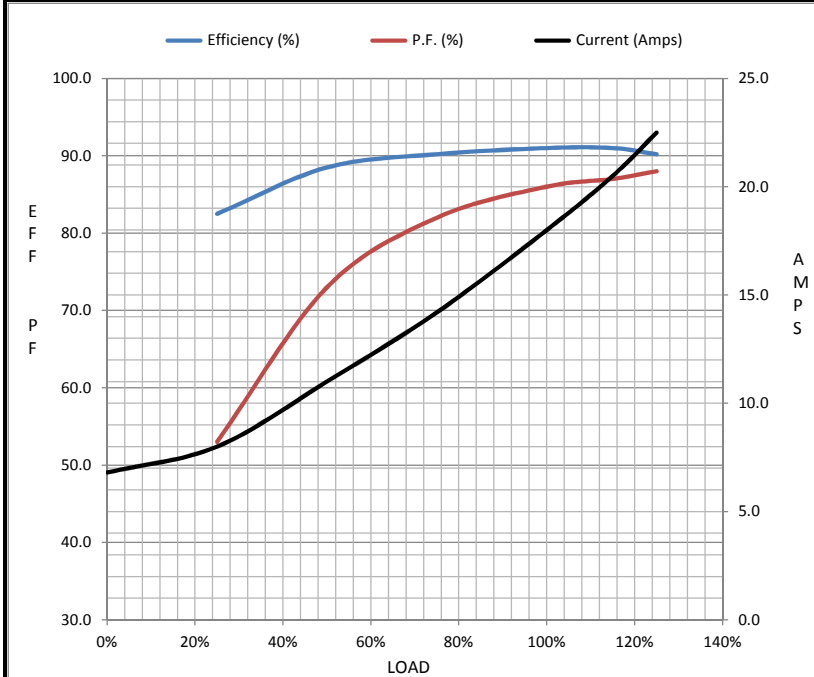
Motor Load Data

Load	0%	25%	50%	75%	100%	115%	125%	LR
Current (Amps)	6.8	8.0	11.0	14.2	18.0	20.5	22.5	116
Torque (ft-lb)	0.00	5.5	11.0	16.5	22.2	25.0	28.0	38.0
RPM	3600	3585	3570	3555	3535	3,525	3520	0
Efficiency (%)		82.5	88.5	90.2	91.0	91.0	90.2	
P.F. (%)	9.5	53.0	73.0	82.0	86.0	87.0	88.0	35.0

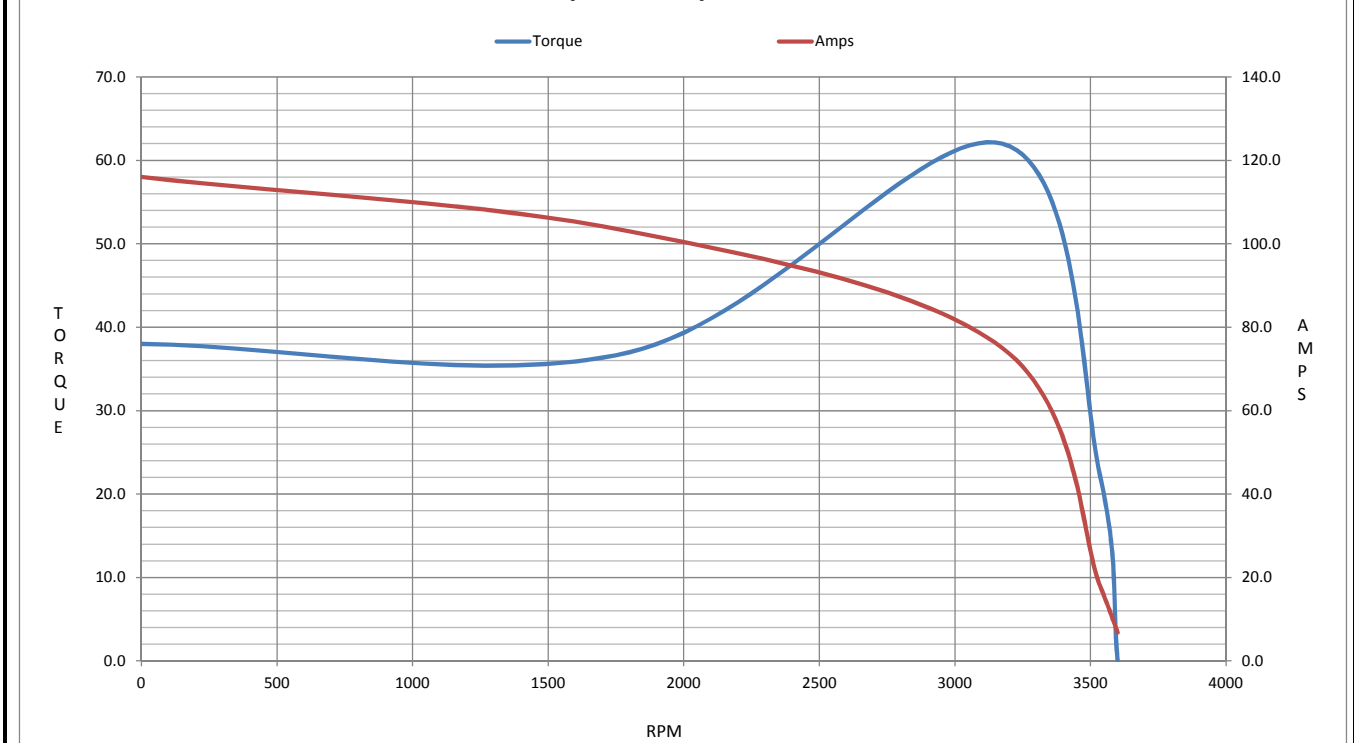
Motor Speed Data

	LR	Pull-Up	BD	Rated	Idle
Speed (RPM)	0	1800	3175	3535	3600
Current (Amps)	116	103	75.0	18.0	6.8
Torque (ft-lb)	38.0	37.0	62.0	22.2	0.00

Information Block	
HP	15.0
Sync. RPM	3600
Frame	254
Enclosure	TEFC
Construction	TFY
Voltage	230/460#190/38(V)
Frequency	60 Hz
Design	A
LR Code letter	G
Service Factor	1.15
Temp Rise @ FL	65 ° C
Duty	CONT
Ambient	40 ° C
Elevation	1,000 feet
Rotor/Shaft wk ²	1.10 Lb-Ft ²
Ref Wdg	K254296 R1
Sound Pressure @ 1M	72 dBA
VFD Rating	NONE
Outline Dwg	B-SS321151-1200
Conn. Diag	A-EE7308
Additional Specifications:	
0	
365THFS8036	
EQUIV CKT (OHMS / PHASE)	
R1	R2
0.4250	0.2680
X1	X2
1.4930	1.2470
Xm	
39.5390	



Speed - Torque Curve



EC Declaration of Conformity

The undersigned representing
the manufacturer:

Regal Beloit America
100 East Randolph St.
Wausau, WI 54401

and the authorized representative
established within the Community:

Marathon Electric UK
6F Thistleton Road Ind. Estate
Market Overton
Oakham, Rutland LE15 7PP UK

are committed to providing customers with products that comply with applicable regulations and international protocols to which they are subject, including the requirements of the European Parliament Directive on the Harmonization of the laws relating to electrical equipment designed for use within certain voltage limits (2014/35/EU).

Regal Beloit America declares that the following product(s), to which this declaration relates, are in conformity with the relevant sections of the EC standards listed below.

This statement supersedes any statements previously issued pertaining to the product(s) listed below and is subject to change without notice.

Model No : 254TTFL16008

(Model No. may contain prefix and/or suffix characters)

Catalog No : U344A

Rework No : N/A

Directives :

Low Voltage Directive 2014/35/EU

Harmonized Standards Used :

EN 60034-1: 2010 (IEC 60034-1: 2010)

EN 60034-5: 2001/A1:2007 (IEC 60034-5: 2000/A1:2006)

Authorized Representative:



Michael A. Logsdon
Vice President, Technology

Authorized Representative in the Community:



Julian Clark
Marketing Engineer

Created on 09/01/2022

CE 22