

# PRODUCT INFORMATION PACKET

Model No: 254TTFC6588

Catalog No: E037

Severe Duty Motor, 7.50 HP, 3 Ph, 60 Hz, 230/460 V, 254TC Frame, TEFC

Regal and are trademarks of Regal Rexnord Corporation or one of its affiliated companies.  
©2022 Regal Rexnord Corporation, All Rights Reserved. MC017097E



### Nameplate Specifications

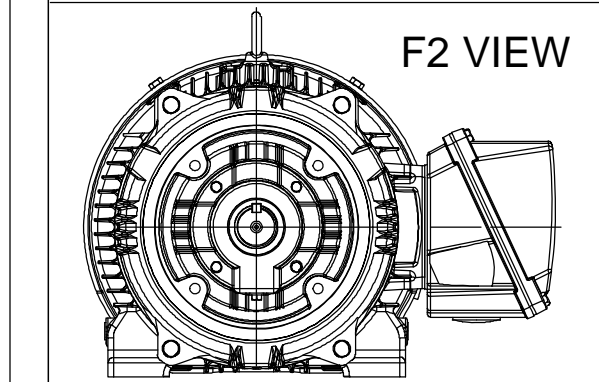
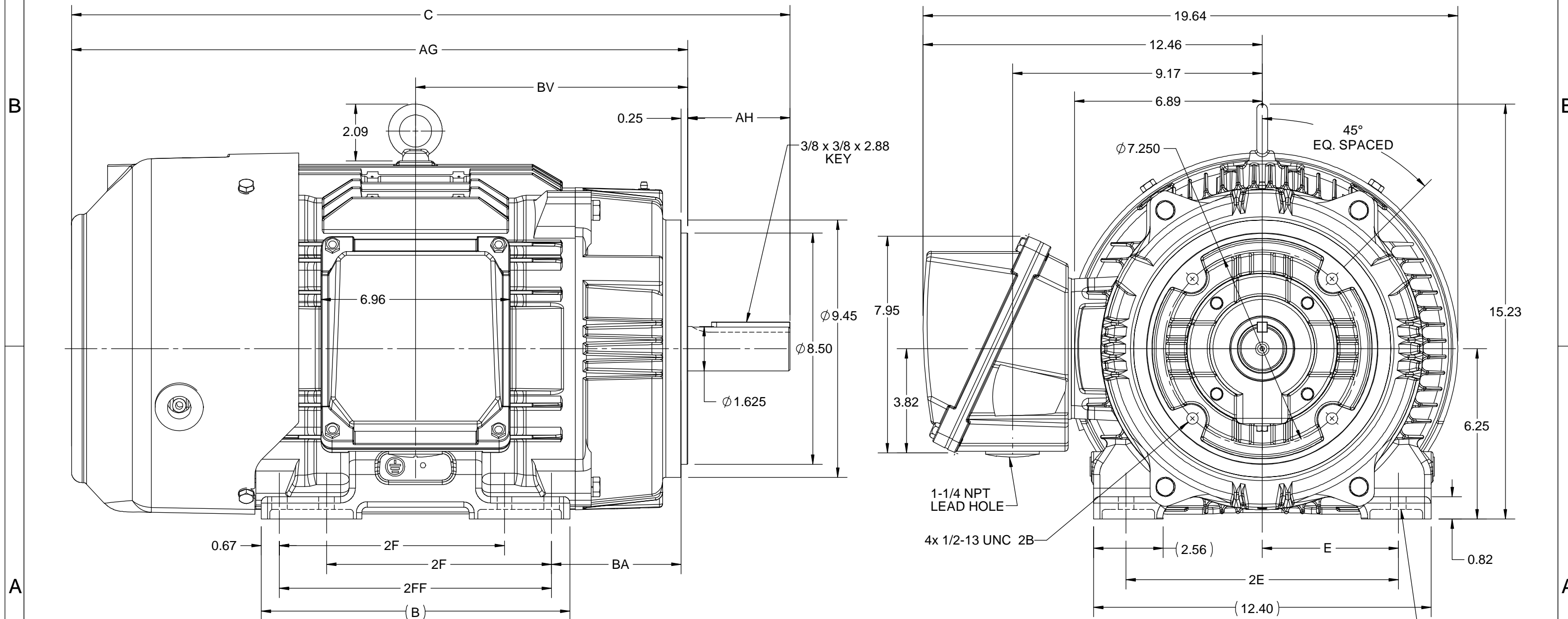
|                        |                       |                            |                                    |
|------------------------|-----------------------|----------------------------|------------------------------------|
| Output HP              | <b>7.50 Hp</b>        | Output KW                  | <b>5.6 kW</b>                      |
| Frequency              | <b>60 Hz</b>          | Voltage                    | <b>230/460 V</b>                   |
| Current                | <b>19.8/9.9 A</b>     | Speed                      | <b>1182 rpm</b>                    |
| Service Factor         | <b>1.15</b>           | Phase                      | <b>3</b>                           |
| Efficiency             | <b>91 %</b>           | Power Factor               | <b>78.5</b>                        |
| Duty                   | <b>Continuous</b>     | Insulation Class           | <b>H</b>                           |
| Design Code            | <b>B</b>              | KVA Code                   | <b>H</b>                           |
| Frame                  | <b>254TC</b>          | Enclosure                  | <b>Totally Enclosed Fan Cooled</b> |
| Thermal Protection     | <b>No Protection</b>  | Ambient Temperature        | <b>40 °C</b>                       |
| Drive End Bearing Size | <b>6309</b>           | Opp Drive End Bearing Size | <b>6209</b>                        |
| UL                     | <b>Listed</b>         | CSA                        | <b>Y</b>                           |
| CE                     | <b>Y</b>              | IP Code                    | <b>55</b>                          |
| Hazardous Location     | <b>DIVISION 2 T2B</b> | Number of Speeds           | <b>1</b>                           |

### Technical Specifications

|                       |                                     |                    |                            |
|-----------------------|-------------------------------------|--------------------|----------------------------|
| Electrical Type       | <b>Squirrel Cage Inverter Rated</b> | Starting Method    | <b>Line Or Inverter</b>    |
| Poles                 | <b>6</b>                            | Rotation           | <b>Selective Clockwise</b> |
| Resistance Main       | <b>1.366 Ohms</b>                   | Mounting           | <b>Rigid Base</b>          |
| Motor Orientation     | <b>Horizontal</b>                   | Drive End Bearing  | <b>Ball</b>                |
| Opp Drive End Bearing | <b>Ball</b>                         | Frame Material     | <b>Cast Iron</b>           |
| Shaft Type            | <b>T</b>                            | Shaft Diameter     | <b>1.626 in</b>            |
| Assembly/Box Mounting | <b>F1/F2 CAPABLE</b>                |                    |                            |
| Outline Drawing       | <b>SS208571-100</b>                 | Connection Drawing | <b>EE7308</b>              |

This is an uncontrolled document once printed or downloaded and is subject to change without notice. Date Created:11/14/2022

| DASH NO. | 4     |       | 3    |       |      |       |       | 2    |      | 1     |          |           |
|----------|-------|-------|------|-------|------|-------|-------|------|------|-------|----------|-----------|
|          | B     | C     | E    | 2E    | 2F   | 2FF   | AG    | AH   | BA   | BV    | MOUNTING | FRAME     |
| 100      | 9.60  | 24.65 | 5.00 | 10.00 | ---  | 8.25  | 20.90 | 3.75 | 4.75 | 9.14  | F1 OR F2 | 254TC     |
| 200      | 11.34 | 26.39 |      |       | 8.25 | 10.00 | 22.64 |      |      | 10.00 |          | 254/256TC |



|                                                                                                                                                                                                                                                                                                                                                                                                                                                                                                                                                                                                                                                                                                     |                      |                              |
|-----------------------------------------------------------------------------------------------------------------------------------------------------------------------------------------------------------------------------------------------------------------------------------------------------------------------------------------------------------------------------------------------------------------------------------------------------------------------------------------------------------------------------------------------------------------------------------------------------------------------------------------------------------------------------------------------------|----------------------|------------------------------|
| DRAWING REVISION<br>B                                                                                                                                                                                                                                                                                                                                                                                                                                                                                                                                                                                                                                                                               | REVISION BY<br>BISWA | REV DATE/© DATE<br>2109/2020 |
| ECO<br>ECO-0192056                                                                                                                                                                                                                                                                                                                                                                                                                                                                                                                                                                                                                                                                                  | APPROVED BY<br>SBD   | DATE<br>2109/2020            |
| ECO DESCRIPTION                                                                                                                                                                                                                                                                                                                                                                                                                                                                                                                                                                                                                                                                                     |                      |                              |
| DRAWING UPDATED                                                                                                                                                                                                                                                                                                                                                                                                                                                                                                                                                                                                                                                                                     |                      |                              |
| <small>COPYRIGHT (PER REVISION DATE) REGAL BELOIT AMERICA, INC. ALL RIGHTS RESERVED. PROPRIETARY AND CONFIDENTIAL INFORMATION - THIS DOCUMENT IS THE PROPERTY OF REGAL BELOIT AMERICA, INC. ("OWNER") AND CONTAINS OWNER'S PROPRIETARY INFORMATION. ANY PERSON, CORPORATION OR OTHER FIRM RECEIVING IT IS DEEMED, BY RECEIVING IT, TO AGREE THAT IT, AND/OR ANY PART OF IT, SHALL NOT BE DISCLOSED TO ANY PERSON, CORPORATION OR OTHER ENTITY, DUPLICATED, AND/OR USED, EXCEPT AS EXPRESSLY APPROVED IN WRITING IN ADVANCE BY OWNER. THIS DOCUMENT SHALL BE RETURNED TO OWNER UPON REQUEST. IT MAY BE SUBJECT TO CERTAIN RESTRICTIONS UNDER APPLICABLE EXPORT CONTROL LAWS AND REGULATIONS.</small> |                      |                              |

PRIMARY DIMENSIONS ARE INCH  
mm DIMENSIONS IN [BRACKETS]  
ARE FOR REFERENCE ONLY

|                        |                                                  |
|------------------------|--------------------------------------------------|
| DRAWN BY<br>BISWA      | <b>REGAL</b> ® Regal Beloit America, Inc.        |
| DATE<br>13/03/2019     |                                                  |
| APPROVED BY<br>SBD     | DESCRIPTION                                      |
| DATE<br>13/03/2019     | <b>OUTLINE</b><br>254/256TC FR-NEMA-SD & IEEE841 |
| REFERENCE              | MATERIAL                                         |
| THIRD ANGLE PROJECTION | PROCESS/FINISH                                   |
| SIZE<br>B              | DRAWING NUMBER<br><b>SS208571</b>                |
|                        | SHEET<br>1 OF 1                                  |

EE7308

THREE PHASE  
DUAL VOLTAGE MOTOR



VIEW OF TERMINAL END

REF.  
WINDING DIAGRAM

T8Y, T2Y, T2BL, T4BX, T2EC, T2G  
T6BZ, T2B, T6BL, T4AV, T6B, T4B

OPTIONAL CORD  
CONNECTION

L1 — WHITE  
L2 — RED  
L3 — BLACK

| NO.                                                                                                                                                                                                                              | REVISION                                       | BY & DATE      | CHK | ANG   | TOLERANCES<br>UNLESS SPECIFIED |        | FINISH                                              | DRAWN RM 11/20/1990 |        |                    |           |        |
|----------------------------------------------------------------------------------------------------------------------------------------------------------------------------------------------------------------------------------|------------------------------------------------|----------------|-----|-------|--------------------------------|--------|-----------------------------------------------------|---------------------|--------|--------------------|-----------|--------|
|                                                                                                                                                                                                                                  |                                                |                |     |       | DEC.                           | INCHES |                                                     |                     |        |                    |           |        |
| 5                                                                                                                                                                                                                                | CHG TO REGAL LOGO                              | SL 09/10/2015  | AB  |       |                                |        |                                                     | CHK ML 11/21/1990   |        |                    |           |        |
| 4                                                                                                                                                                                                                                | REVISED IEC NOTATIONS                          | MSG 11/15/2011 | CMN | .X    | ±.1                            |        |                                                     | APPD SAS 04/24/2003 |        |                    |           |        |
| 3                                                                                                                                                                                                                                | ADDED IEC NOTATIONS... (U1), (V1) ETC. MU95194 | MSG 5/10/2010  | MJS | .XX   | ±.02                           |        |                                                     | SCALE 1=1           |        |                    |           |        |
| 2                                                                                                                                                                                                                                | ADDED THE OPTIONAL CORD CONNECTION MU46318     | RDH 04/24/2003 | DRS | .XXX  | ±.005                          |        | TITLE CONNECTION DIAGRAM<br>3Ø - DUAL VOLTAGE MOTOR | REF                 |        |                    |           |        |
| 1                                                                                                                                                                                                                                | REDRAWN                                        | RM 11/20/1990  |     | .XXXX | ±.0005                         |        | MAT'L.                                              | FMF                 |        |                    |           |        |
|                                                                                                                                                                                                                                  |                                                |                |     |       | ±7'30"                         |        |                                                     | PREV                |        |                    |           |        |
| THIS DRAWING IN DESIGN AND DETAIL IS OUR PROPERTY AND MUST NOT BE USED EXCEPT IN CONNECTION WITH OUR WORK ALL RIGHTS OF DESIGN AND INVENTION ARE RESERVED THIS IS AN ELECTRONICALLY GENERATED DOCUMENT - DO NOT SCALE THIS PRINT |                                                |                |     |       |                                |        | RFP                                                 | CAD FILE ee7308     | SIZE A | DRAWING NO. EE7308 | PAGE OF 5 | REV. 5 |
|                                                                                                                                                                                                                                  |                                                |                |     |       |                                |        | DIST WP                                             |                     |        |                    |           |        |



Regal Beloit America, Inc.