

# PRODUCT INFORMATION PACKET

marathon®  
Motors

Model No: 254TTFCD6000  
Catalog No: GT1821  
15,3600,TEFC,254T,3/60/200

Regal and Marathon are trademarks of Regal Rexnord Corporation or one of its affiliated companies.  
©2023 Regal Rexnord Corporation, All Rights Reserved. MC017097E

RegalRexnord

**Nameplate Specifications**

**Technical Specifications**

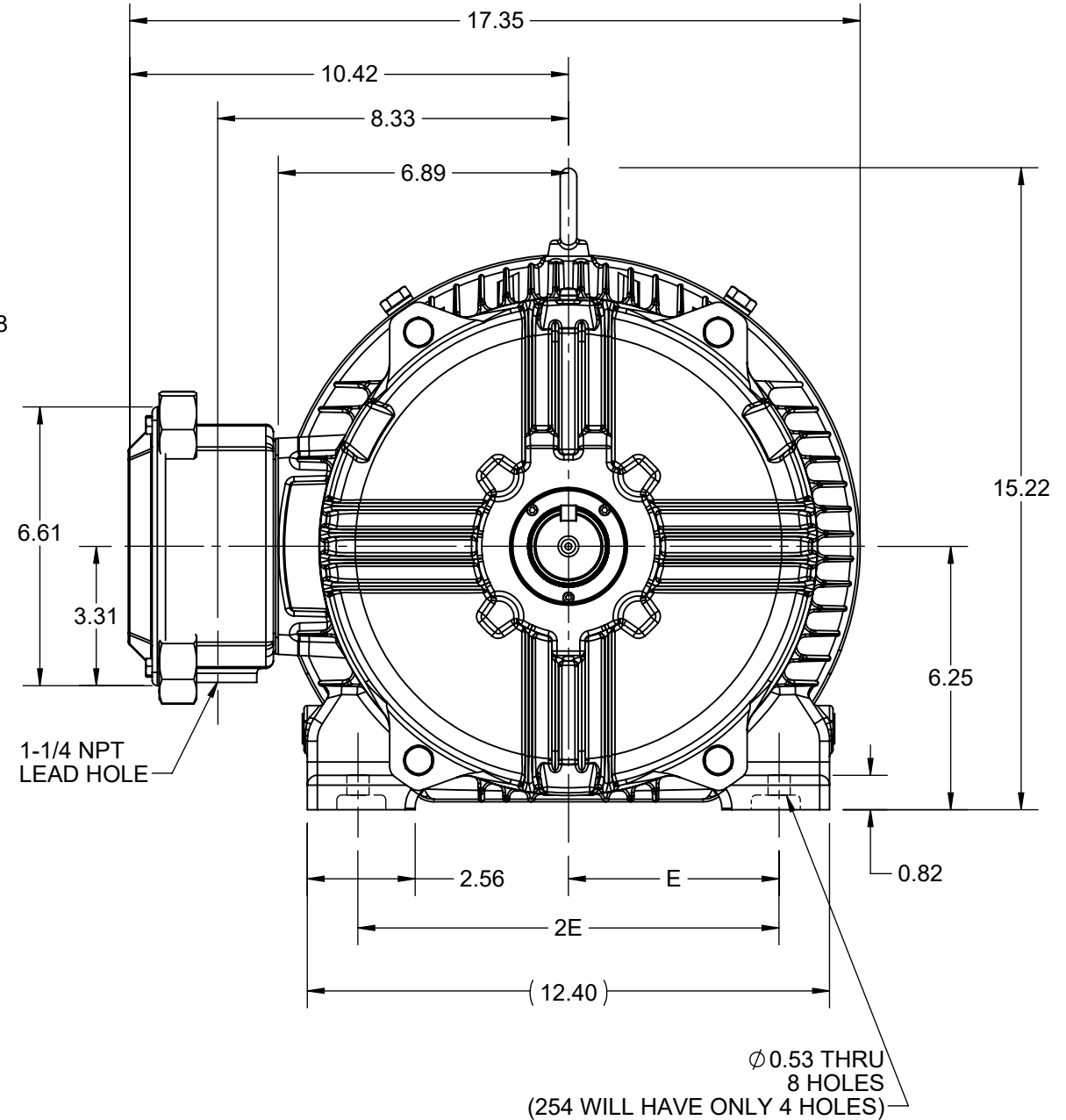
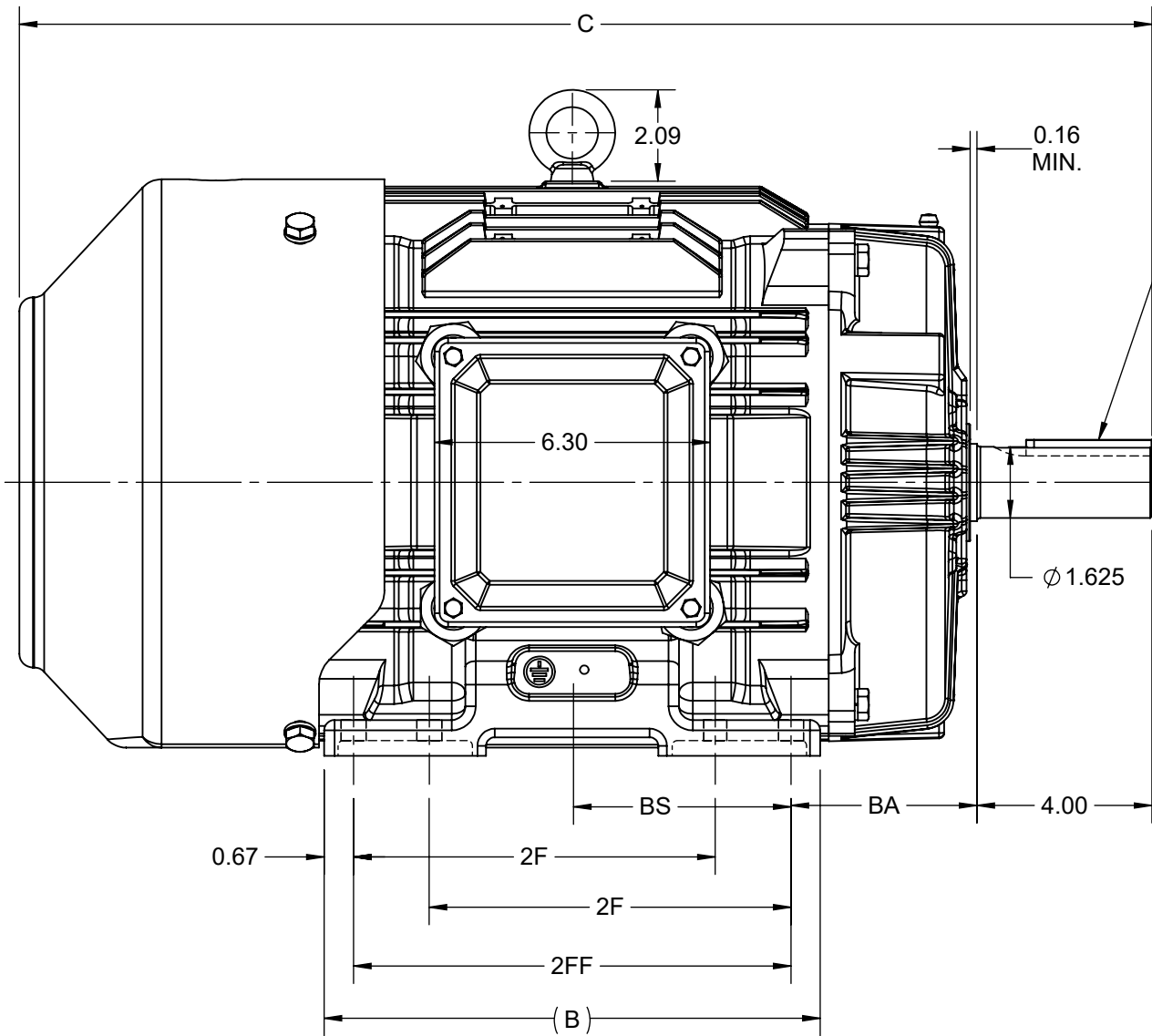
EE7300

SS620703-100

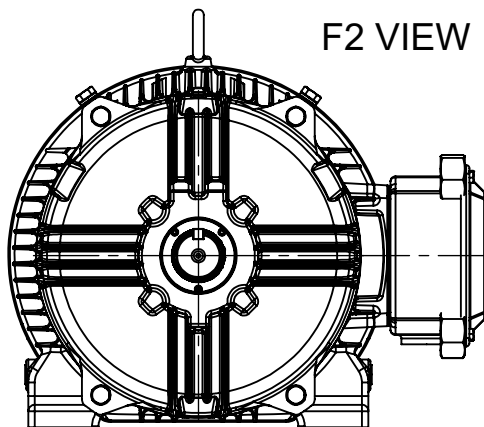
---

This is an uncontrolled document once printed or downloaded and is subject to change without notice. Date Created:04/11/2023

| DASH NO. | 4     |       |      |       | 3    |       |      |      | MOUNTING | FRAME |
|----------|-------|-------|------|-------|------|-------|------|------|----------|-------|
|          | B     | C     | E    | 2E    | 2F   | 2FF   | BA   | BS   |          |       |
| 100      | 9.60  | 24.15 | 5.00 | 10.00 | -    | 8.25  | 4.25 | 4.13 | F1 OR F2 | 254T  |
| 200      | 11.34 | 25.89 |      |       | 8.25 | 10.00 |      |      |          | 5.00  |



F2 VIEW



|   |                    |                               |
|---|--------------------|-------------------------------|
| DRAWING REVISION<br>D   | REVISION BY<br>SVP | REV DATE/© DATE<br>04/06/2021 |
| ECO<br>CR-0001991   | APPROVED BY<br>AK  | DATE<br>04/06/2021            |
| ECO DESCRIPTION<br>DXF FILE RELEASED TO IDS<br>COPYRIGHT (PER REVISION DATE) REGAL BELOIT AMERICA, INC. ALL RIGHTS RESERVED. PROPRIETARY AND CONFIDENTIAL INFORMATION - THIS DOCUMENT IS THE PROPERTY OF REGAL BELOIT AMERICA, INC. ("OWNER") AND CONTAINS OWNER'S PROPRIETARY INFORMATION. ANY PERSON, CORPORATION OR OTHER FIRM RECEIVING IT IS DEEMED, BY RECEIVING IT, TO AGREE THAT IT, AND/OR ANY PART OF IT, SHALL NOT BE DISCLOSED TO ANY PERSON, CORPORATION OR OTHER ENTITY, DUPLICATED, AND/OR USED, EXCEPT AS EXPRESSLY APPROVED IN WRITING IN ADVANCE BY OWNER. THIS DOCUMENT SHALL BE RETURNED TO OWNER UPON REQUEST. IT MAY BE SUBJECT TO CERTAIN RESTRICTIONS UNDER APPLICABLE EXPORT CONTROL LAWS AND REGULATIONS. |                    |                               |

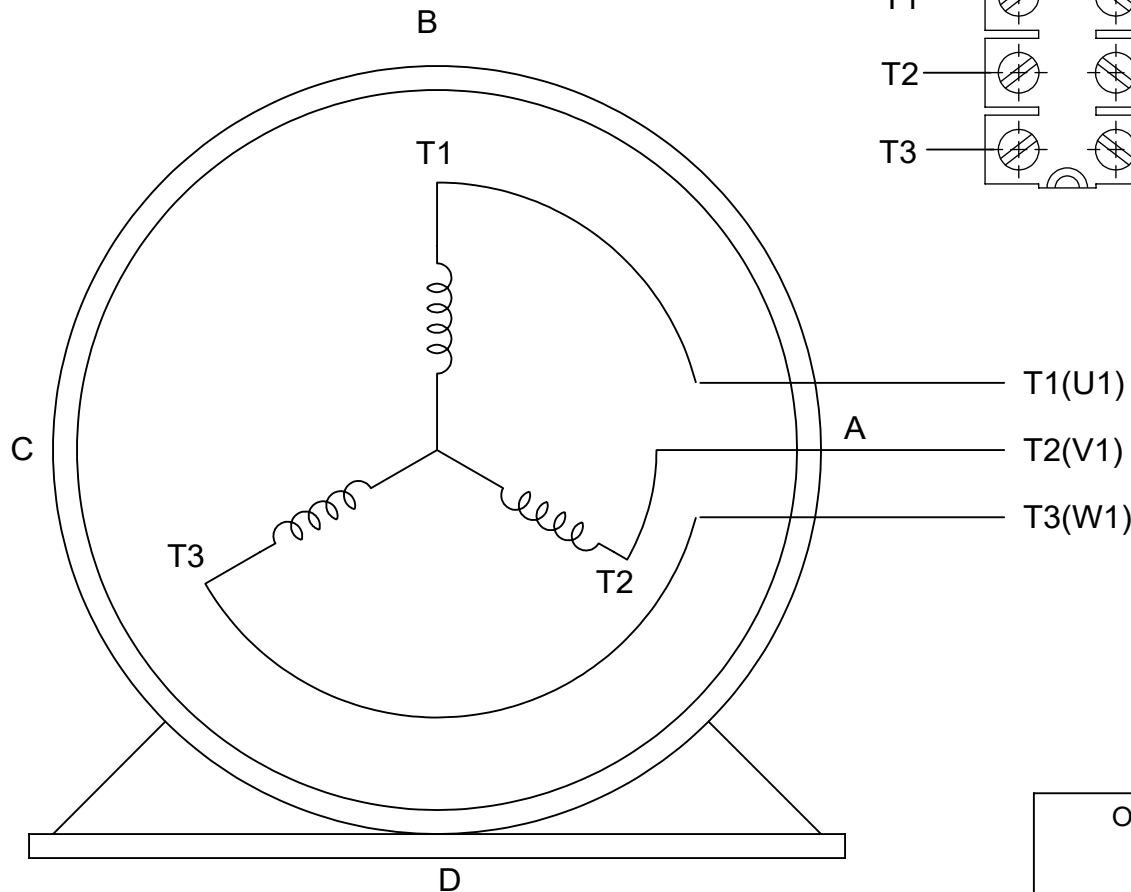
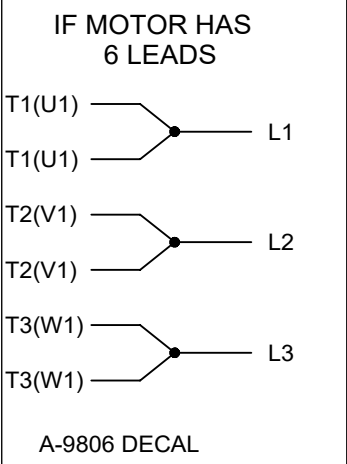
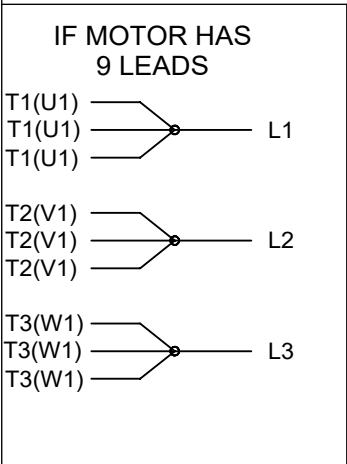
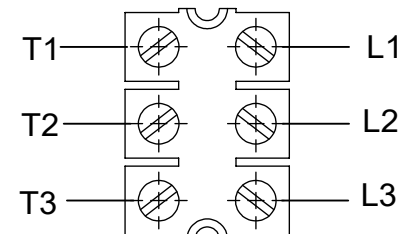
PRIMARY DIMENSIONS ARE INCH  
mm DIMENSIONS IN [BRACKETS]  
ARE FOR REFERENCE ONLY

|                        |   |
|------------------------|---|
| DRAWN BY<br>MR         | <b>REGAL</b> ® Regal Beloit America, Inc.                   |
| DATE<br>4/5/2015       |   |
| APPROVED BY<br>KRK     | DESCRIPTION<br><b>OUTLINE</b><br>254/256T FR-TEFC-CAST IRON |
| DATE<br>4/5/2015       | MATERIAL<br>PROCESS/FINISH                                  |
| REFERENCE              | SIZE<br>DRAWING NUMBER<br>SHEET                             |
| THIRD ANGLE PROJECTION | <b>B</b><br><b>SS620703</b><br>1 OF 1                       |

THREE PHASE - SINGLE VOLTAGE  
MOTOR - CONDUIT BOX @ 'A'

TERMINAL BLOCK WHEN SPECIFIED

TO REVERSE ROTATION:  
INTERCHANGE ANY TWO LINE  
LEAD CONNECTIONS



VIEW OF TERMINAL END

**OPTIONAL CORD CONNECTION**

|    |       |
|----|-------|
| L1 | WHITE |
| L2 | RED   |
| L3 | BLACK |

|   |                   |                               |
|---|-------------------|-------------------------------|
| DRAWING REVISION<br>AC  | REVISION BY<br>BS | REV DATE/© DATE<br>26/07/2022 |
| REQUEST NUMBER<br>CR-0010402  | APPROVED BY<br>SN | DATE<br>26/07/2022            |
| REQUEST NUMBER DESCRIPTION<br>DRAWING UPDATED   |                   |                               |
| <small>COPYRIGHT (PER REVISION DATE) REGAL BELOIT AMERICA, INC. ALL RIGHTS RESERVED. PROPRIETARY AND CONFIDENTIAL INFORMATION - THIS DOCUMENT IS THE PROPERTY OF REGAL BELOIT AMERICA, INC. ("OWNER") AND CONTAINS OWNER'S PROPRIETARY INFORMATION. ANY PERSON, CORPORATION OR OTHER FIRM RECEIVING IT IS DEEMED, BY RECEIVING IT, TO AGREE THAT IT, AND/OR ANY PART OF IT, SHALL NOT BE DISCLOSED TO ANY PERSON, CORPORATION OR OTHER ENTITY, DUPLICATED, AND/OR USED, EXCEPT AS EXPRESSLY APPROVED IN WRITING IN ADVANCE BY OWNER. THIS DOCUMENT SHALL BE RETURNED TO OWNER UPON REQUEST. IT MAY BE SUBJECT TO CERTAIN RESTRICTIONS UNDER APPLICABLE EXPORT CONTROL LAWS AND REGULATIONS.</small> |                   |                               |

PRIMARY DIMENSIONS ARE INCH  
mm DIMENSIONS IN [BRACKETS]  
ARE FOR REFERENCE ONLY

|                        |
|------------------------|
| DRAWN BY<br>DA         |
| DATE<br>03-26-1993     |
| APPROVED BY<br>TB      |
| DATE<br>03-26-1993     |
| REFERENCE              |
| THIRD ANGLE PROJECTION |

|  |                                 |                            |                 |
|--|---------------------------------|----------------------------|-----------------|
|  |                                 | Regal Beloit America, Inc. |                 |
| DESCRIPTION<br><b>CONNECTION DIAGRAM</b><br>EXTERNAL - SINGLE VOLTAGE - 3Ø MOTOR |                                 |                            |                 |
| MATERIAL   |                                 | PROCESS/FINISH             |                 |
| SIZE<br><b>A</b>   | DRAWING NUMBER<br><b>EE7300</b> |                            | SHEET<br>1 OF 1 |