

# PRODUCT INFORMATION PACKET

Model No: 254TTEN14032  
Catalog No: 254TTEN14032  
15,1800,EPNV,254T,3/60/575

### Nameplate Specifications

Phase	<b>3</b>	Output HP	<b>15 Hp</b>
Output KW	<b>11.2 kW</b>	Voltage	<b>575 V</b>
Speed	<b>1770 rpm</b>	Service Factor	<b>1.15</b>
Frame	<b>254T</b>	Enclosure	<b>Explosion Proof Non Ventilated</b>
Thermal Protection	<b>Thermostat</b>	Efficiency	<b>92.4 %</b>
Ambient Temperature	<b>40 °C</b>	Frequency	<b>60 Hz</b>
Current	<b>14.6 A</b>	Power Factor	<b>82.5</b>
Duty	<b>Continuous</b>	Insulation Class	<b>F</b>
Design Code	<b>B</b>	KVA Code	<b>G</b>
Drive End Bearing Size	<b>309</b>	Opp Drive End Bearing Size	<b>309</b>
UL	<b>No</b>	CSA	<b>N</b>
CE	<b>N</b>	IP Code	<b>54</b>
Number of Speeds	<b>1</b>	Hazardous Location	<b>EXP PROOF CL I GR D CL II GR F&amp;G T3B</b>

### Technical Specifications

Electrical Type	<b>Squirrel Cage Induction Run</b>	Starting Method	<b>Across The Line</b>
Poles	<b>4</b>	Rotation	<b>Reversible</b>
Resistance Main	<b>.58 Ohms</b>	Mounting	<b>Rigid Base</b>
Motor Orientation	<b>Horizontal</b>	Drive End Bearing	<b>Ball</b>
Opp Drive End Bearing	<b>Ball</b>	Frame Material	<b>Cast Iron</b>
Shaft Type	<b>T</b>	Assembly/Box Mounting	<b>F1/F2 CAPABLE</b>
Outline Drawing	<b>B-SS203662-1050</b>	Connection Drawing	<b>A-EE7300T</b>

This is an uncontrolled document once printed or downloaded and is subject to change without notice. Date Created:09/07/2024

4

3

Uncontrolled Copy

2

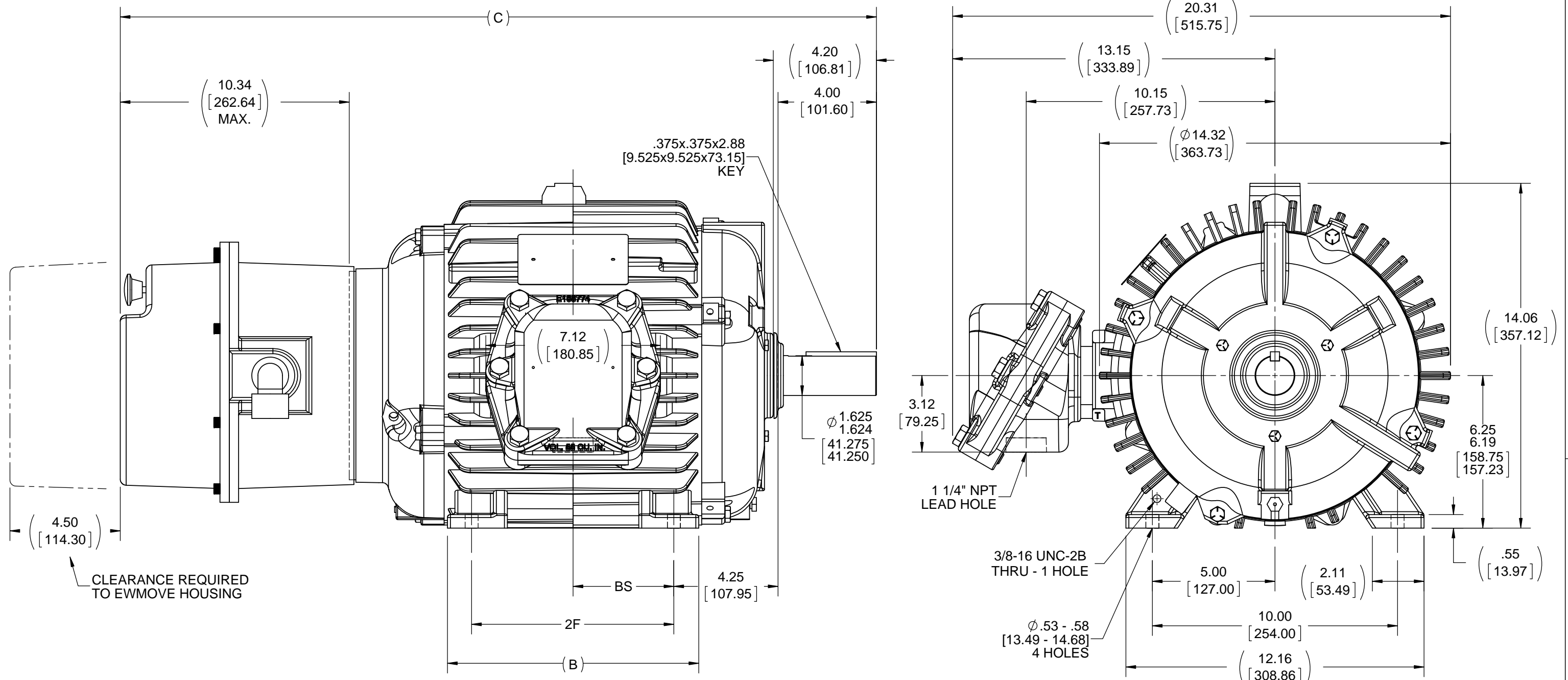
1

B

B

A

A



NOTES:  
 1. CONDUIT BOX CAN BE ROTATED ON ITS AXIS.  
 2. NAMEPLATE TO BE READ FROM CONDUIT BOX SIDE OF MOTOR.

1050	254T	31.84 [808.74]	10.25 [260.35]	8.25 [209.55]	4.12 [104.77]
1225	254/256T	33.59 [853.19]	12.00 [304.80]	10.00 [254.00]	5.00 [127.00]
DASH	FRAME	C	B	2F	BS

DRAWING REVISION E	REVISION BY M GERTSCHEN	DATE 11-29-2016
ECO ECO-0113549	APPROVED BY T VUE	DATE 11-29-2016
ECO DESCRIPTION REDRAWN - UPDATED TO CURRENT STANDARDS		
<small>COPYRIGHT REGAL BELOIT AMERICA, INC. ALL RIGHTS RESERVED.          PROPRIETARY AND CONFIDENTIAL INFORMATION - THIS DOCUMENT IS THE PROPERTY OF          REGAL BELOIT AMERICA, INC. ("OWNER") AND CONTAINS OWNER'S PROPRIETARY          INFORMATION. ANY PERSON, CORPORATION OR OTHER FIRM RECEIVING IT IS DEEMED,          BY RECEIVING IT, TO AGREE THAT IT, AND/OR ANY PART OF IT, SHALL NOT BE DISCLOSED          TO ANY PERSON, CORPORATION OR OTHER ENTITY, DUPLICATED, AND/OR USED, EXCEPT          AS EXPRESSLY APPROVED IN WRITING IN ADVANCE BY OWNER. THIS DOCUMENT SHALL          BE RETURNED TO OWNER UPON REQUEST. IT MAY BE SUBJECT TO CERTAIN          RESTRICTIONS UNDER APPLICABLE EXPORT CONTROL LAWS AND REGULATIONS.</small>		

TOLERANCES UNLESS OTHERWISE SPECIFIED:

DEC.	INCH	mm	ANGLE
.X	±0.1	[±2.5]	±7° 30"
.XX	±0.03	[±0.76]	
.XXX	±0.005	[±0.127]	
.XXXX	±0.0005	[±0.0127]	

REMOVE BURRS & BREAK SHARP EDGES: .003/.015 [0.076/.381] X 45°  
 CORNER FILLETS: R.02 [0.51]  
 MACHINED SURFACES: 200 INCH/mm 5.1

DRAWN BY DAH
DATE 06-01-2001
APPROVED BY ML
DATE 06-04-2001
REFERENCE
THIRD ANGLE PROJECTION

<b>REGAL</b> ™ Regal Beloit America, Inc.	
DESCRIPTION <b>OUTLINE</b>	
250T FR. - EX. PR. - STEARNS 87300 SERIES BRAKE	
MATERIAL	PROCESS/FINISH
SIZE <b>B</b>	DRAWING NUMBER <b>SS203662</b>
	SHEET 1 OF 1

4

3

2

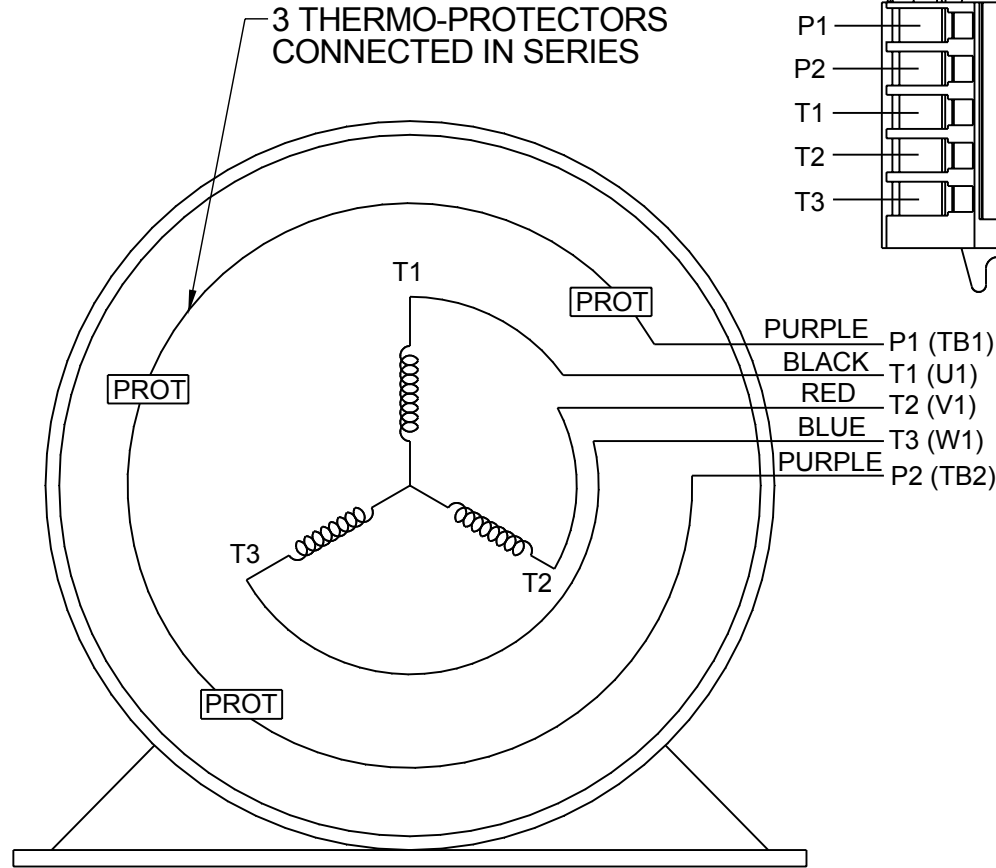
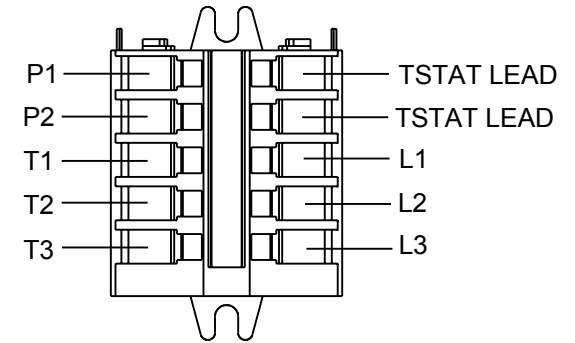
1

**THREE PHASE - SINGLE VOLTAGE  
MOTOR - CONDUIT BOX @ 'A'**

**TO REVERSE ROTATION:  
INTERCHANGE ANY TWO LINE  
LEAD CONNECTIONS**

**NOTE FOR FACTORY USE ONLY:  
TO SURGE TEST:  
FOR 3 LEAD COMMON CONNECT:  
CONNECT P1 TO T1 THEN P2 TO L1  
FOR 6 LEAD COMMON CONNECT:  
CONNECT P1 TO BOTH T1  
THEN P2 TO L1**

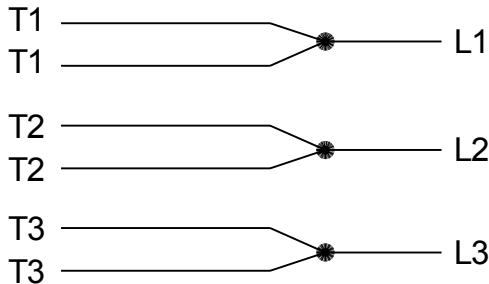
TERMINAL BLOCK WHEN SPECIFIED



PURPLE P1 (TB1)  
BLACK T1 (U1)  
RED T2 (V1)  
BLUE T3 (W1)  
PURPLE P2 (TB2)

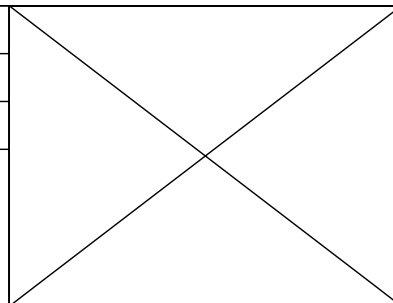
T2BM  
T6AW  
T6AL  
T6Z  
T4EG  
T4BF  
T8A  
T6H  
T6A  
T4AX  
T4A  
T2A  
T2F

**IF MOTOR HAS MULTIPLE  
T'S PER LEAD CONNECT  
TOGETHER LIKE T'S**



**A-9806 DECAL**

DRAWING REVISION AB	REVISION BY AJW	DATE 07-17-2015
ECO ECO-0081632	APPROVED BY T.VUE	DATE 07-17-2015
ECO DESCRIPTION REV'D IEC MARKINGS PER IEC-60034-8		
<small>COPYRIGHT REGAL BELOIT AMERICA, INC. ALL RIGHTS RESERVED. PROPRIETARY AND CONFIDENTIAL INFORMATION - THIS DOCUMENT IS THE PROPERTY OF REGAL BELOIT AMERICA, INC. ("OWNER") AND CONTAINS OWNER'S PROPRIETARY INFORMATION. ANY PERSON, CORPORATION OR OTHER FIRM RECEIVING IT IS DEEMED, BY RECEIVING IT, TO AGREE THAT IT, AND/OR ANY PART OF IT, SHALL NOT BE DISCLOSED TO ANY PERSON, CORPORATION OR OTHER ENTITY, DUPLICATED, AND/OR USED, EXCEPT AS EXPRESSLY APPROVED IN WRITING IN ADVANCE BY OWNER. THIS DOCUMENT SHALL BE RETURNED TO OWNER UPON REQUEST. IT MAY BE SUBJECT TO CERTAIN RESTRICTIONS UNDER APPLICABLE EXPORT CONTROL LAWS AND REGULATIONS.</small>		



DRAWN BY LZ
DATE 01-04-1994
APPROVED BY GK
DATE 01-20-1994
REFERENCE
THIRD ANGLE PROJECTION

<b>REGAL</b> ™ Regal Beloit America, Inc.	
DESCRIPTION <b>CONN DIAGRAM-EXTERNAL</b> 3Ø-SINGLE VOLT-MOTOR WITH PROTECTOR	
MATERIAL	PROCESS/FINISH
SIZE <b>A</b>	DRAWING NUMBER <b>EE7300T</b>
SHEET 1 OF 1	