

PRODUCT INFORMATION PACKET

Model No: 254TTDX7088

Catalog No: M808

Other Purpose Motor, 7.50 HP, 3 Ph, 60 Hz, 230/460 V, 1200 RPM, 254HPV Frame, DP

Regal and are trademarks of Regal Rexnord Corporation or one of its affiliated companies.
©2022 Regal Rexnord Corporation, All Rights Reserved. MC017097E

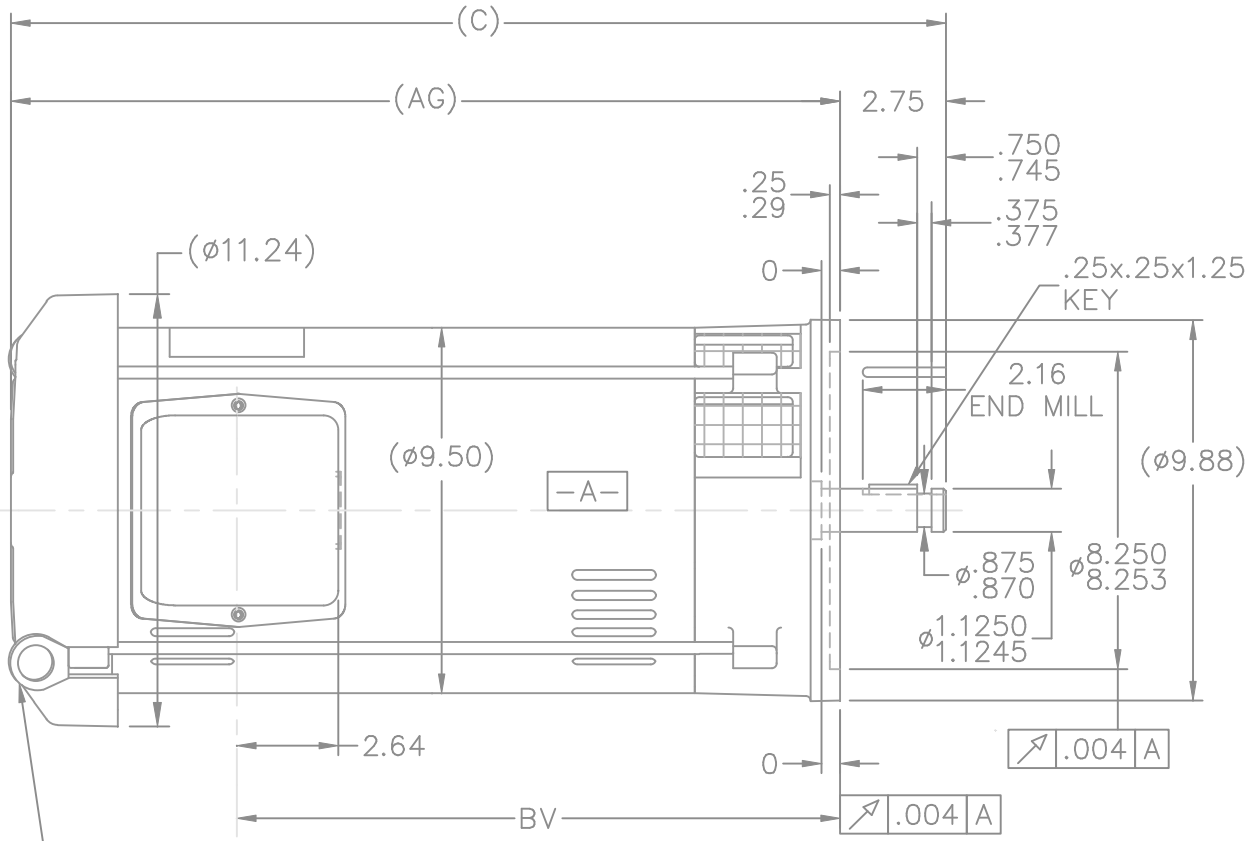


Nameplate Specifications

Output HP	7.50 Hp	Output KW	5.6 kW
Frequency	60 Hz	Voltage	230/460 V
Current	22.2/11.1 A	Speed	1150 rpm
Service Factor	1.15	Phase	3
Efficiency	81.5 %	Power Factor	76.3
Duty	Continuous	Insulation Class	B
Design Code	B	KVA Code	H
Frame	254HPV	Enclosure	Drip Proof
Thermal Protection	No Protection	Ambient Temperature	40 °C
Drive End Bearing Size	6309	Opp Drive End Bearing Size	6208
UL	Recognized	CSA	Y
CE	Y	IP Code	22
Number of Speeds	1		

Technical Specifications

Electrical Type	Squirrel Cage Induction Run	Starting Method	Across The Line
Poles	6	Rotation	Reversible
Resistance Main	.497 Ohms	Mounting	Round
Motor Orientation	Shaft Down	Drive End Bearing	Ball
Opp Drive End Bearing	Ball	Frame Material	Rolled Steel
Shaft Type	HP	Overall Length	22.55 in
Frame Length	13.40 in	Shaft Diameter	1.125 in
Shaft Extension	2.75 in	Assembly/Box Mounting	F1/F2 CAPABLE
Outline Drawing	A-SS86538-1340	Connection Drawing	A-EE7308



LIFT LUGS DESIGNED FOR MOTOR WEIGHT ONLY

DASH	FR.	C	BV	AG
1340	254HP	22.55	13.93	19.80
1515	254/256HP	24.30	15.68	21.55

- NOTES:
 1. NAMEPLATE TO BE READ FROM SHAFT EXT. END OF MOTOR.
 2. BOX CAN BE MOUNTED IN 90° STEPS.

			TOLERANCES UNLESS SPECIFIED		MARATHON ELECTRIC	DRAWN KL 11-24-1993	
NO.	REVISION	BY & DATE	CHK	ANG		SCALE	1=5
8	UPDATED DRAWING	TJW 04/27/2007		DEC.	INCHES	CHK	ML 11-29-1993
7	REDRAWN IN AUTOCAD	TAT 07-22-2004	ML	.X	±.1	APPD	DRN 11-29-1993
6	CLARIFIED REVISION HISTORY AND BOX ROT. CN28427	CAV 02-17-2000		.XX	±.03	REF	
5	UPDATED CONDUIT BOX CN 28427	TJB 01-31-2000		.XXX	±.005	FMF	
4	-1515 WAS FOR 256HP FR. ONLY CN 18683	KL 10-11-1994		.XXXX	±.0005	PREV	
			RFP	ANG	±7'30"		
THIS DRAWING IN DESIGN AND DETAIL IS OUR PROPERTY AND MUST NOT BE USED EXCEPT IN CONNECTION WITH OUR WORK ALL RIGHTS OF DESIGN AND INVENTION ARE RESERVED THIS IS AN ELECTRONICALLY GENERATED DOCUMENT - DO NOT SCALE THIS PRINT			CAD FILE ss86538		SIZE	DRAWING NO.	PAGE OF
			DIST LB		A	SS86538	8

EE7308

THREE PHASE
DUAL VOLTAGE MOTOR



VIEW OF TERMINAL END

REF.
WINDING DIAGRAM

T8Y, T2Y, T2BL, T4BX, T2EC, T2G
T6BZ, T2B, T6BL, T4AV, T6B, T4B

OPTIONAL CORD
CONNECTION

L1 — WHITE
L2 — RED
L3 — BLACK

NO.	REVISION	BY & DATE	CHK	ANG	TOLERANCES UNLESS SPECIFIED		FINISH	DRAWN RM 11/20/1990				
					DEC.	INCHES						
5	CHG TO REGAL LOGO	SL 09/10/2015	AB					CHK ML 11/21/1990				
4	REVISED IEC NOTATIONS	MSG 11/15/2011	CMN	.X	±.1			APPD SAS 04/24/2003				
3	ADDED IEC NOTATIONS... (U1), (V1) ETC. MU95194	MSG 5/10/2010	MJS	.XX	±.02		TITLE CONNECTION DIAGRAM	SCALE 1=1				
2	ADDED THE OPTIONAL CORD CONNECTION MU46318	RDH 04/24/2003	DRS	.XXX	±.005		3Ø - DUAL VOLTAGE MOTOR	REF				
1	REDRAWN	RM 11/20/1990		.XXXX	±.0005		MAT'L.	FMF				
					±7'30"			PREV				
THIS DRAWING IN DESIGN AND DETAIL IS OUR PROPERTY AND MUST NOT BE USED EXCEPT IN CONNECTION WITH OUR WORK ALL RIGHTS OF DESIGN AND INVENTION ARE RESERVED THIS IS AN ELECTRONICALLY GENERATED DOCUMENT - DO NOT SCALE THIS PRINT							RFP	CAD FILE ee7308	SIZE A	DRAWING NO. EE7308	PAGE OF 5	REV. 5
							DIST WP					



Regal Beloit America, Inc.