

# PRODUCT INFORMATION PACKET

**marathon**<sup>®</sup>  
Motors

Model No: 254TTDX7008

Catalog No: M330

Close-Coupled Pump Motor, 20 & 16 HP, 3 Ph, 60 & 50 Hz, 208-230/460 & 190/380 V, 3600 & 3000 RPM,  
254JM Frame, DP

Regal and Marathon are trademarks of Regal Rexnord Corporation or one of its affiliated companies.

©2023 Regal Rexnord Corporation, All Rights Reserved. MC017097E

The logo for Regal Rexnord, featuring a stylized 'R' icon followed by the text 'RegalRexnord'.

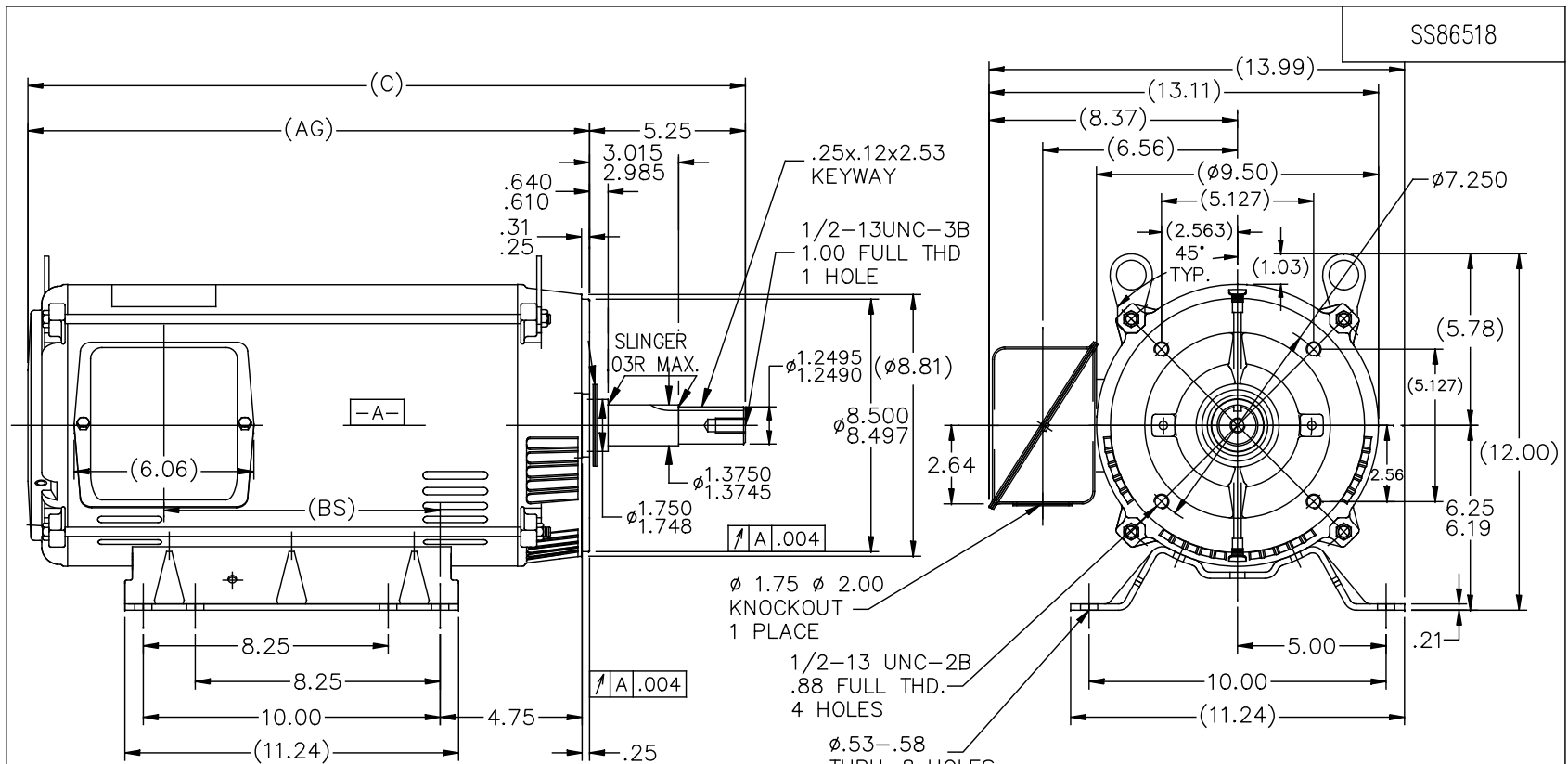


**Nameplate Specifications**

|                        |                                 |                            |                                    |
|------------------------|---------------------------------|----------------------------|------------------------------------|
| Phase                  | <b>3</b>                        | Output HP                  | <b>20 &amp; 16 Hp</b>              |
| Output KW              | <b>14.9 &amp; 11.9 kW</b>       | Voltage                    | <b>208-230/460 &amp; 190/380 V</b> |
| Speed                  | <b>3470 &amp; 2905 rpm</b>      | Service Factor             | <b>1.15 &amp; 1.0</b>              |
| Frame                  | <b>254JM</b>                    | Enclosure                  | <b>Drip Proof</b>                  |
| Thermal Protection     | <b>No Protection</b>            | Efficiency                 | <b>88.5 %</b>                      |
| Ambient Temperature    | <b>40 °C</b>                    | Frequency                  | <b>60 &amp; 50 Hz</b>              |
| Current                | <b>53-47/23.5 &amp; 44/22 A</b> | Power Factor               | <b>90.4</b>                        |
| Duty                   | <b>Continuous</b>               | Insulation Class           | <b>B</b>                           |
| Design Code            | <b>B</b>                        | KVA Code                   | <b>G</b>                           |
| Drive End Bearing Size | <b>6309</b>                     | Opp Drive End Bearing Size | <b>6208</b>                        |
| UL                     | <b>No</b>                       | CSA                        | <b>Y</b>                           |
| CE                     | <b>Y</b>                        | IP Code                    | <b>12</b>                          |
| Number of Speeds       | <b>1</b>                        |                            |                                    |

**Technical Specifications**

|                       |                                    |                   |                        |
|-----------------------|------------------------------------|-------------------|------------------------|
| Electrical Type       | <b>Squirrel Cage Induction Run</b> | Starting Method   | <b>Across The Line</b> |
| Poles                 | <b>2</b>                           | Rotation          | <b>Reversible</b>      |
| Resistance Main       | <b>.688 Ohms</b>                   | Mounting          | <b>Rigid Base</b>      |
| Motor Orientation     | <b>Horizontal</b>                  | Drive End Bearing | <b>Ball</b>            |
| Opp Drive End Bearing | <b>Ball</b>                        | Frame Material    | <b>Rolled Steel</b>    |
| Shaft Type            | <b>JM</b>                          | Overall Length    | <b>22.42 in</b>        |
| Shaft Diameter        | <b>1.375 in</b>                    | Shaft Extension   | <b>5.28 in</b>         |
| Assembly/Box Mounting | <b>F1/F2 CAPABLE</b>               |                   |                        |
| Connection Drawing    | <b>A-EE7308</b>                    | Outline Drawing   | <b>A-SS86518-1340</b>  |



| DASH | FR.       | C     | BS   | AG    | MOUNTING |
|------|-----------|-------|------|-------|----------|
| 1340 | 254JM     | 22.42 | 7.68 | 17.17 | F1 OR F2 |
| 1515 | 254/256JM | 24.17 | 9.43 | 18.92 | F1 OR F2 |

NOTES:

1. NAMEPLATE TO BE READ FROM C'BOX SIDE OF MOTOR.
2. BOX CAN BE MOUNTED IN 90° STEPS.
3. BOX CAN BE MOUNTED ON OPPOSITE SIDE BY REMOVING BRACKETS AND TURNING FRAME 180°. (EXCEPT AS NOTED.)

|  |                                     | TOLERANCES UNLESS SPECIFIED |        | REGAL™ Regal Beloit America, Inc. |        | DRAWN DJK 10-19-1993 |                          |
|--|-------------------------------------|-----------------------------|--------|-----------------------------------|--------|----------------------|--------------------------|
|  |                                     | DEC.                        | INCHES |                                   |        | CHK                  | ML 10-22-1993            |
|  |                                     | .X                          | ±.1    |                                   |        | APPD                 | DRN 10-22-1993           |
| 7  | UPDATED REGAL LOGO                  | AS                          | SR     | .XX                               | ±.03   | SCALE 1=5            |                          |
| 6  | UPDATED DRAWING                     | TJW 04/27/2007              |        | .XXX                              | ±.005  | REF                  |                          |
| 5  | ADDED 14.08 DIMENSION TO FRONT VIEW | RJW 12-09-2005              | ML     | .XXXX                             | ±.0005 | FMF                  |                          |
| NO.  | REVISION                            | BY & DATE                   | CHK    | ANG                               | ±7'30" | PREV                 |                          |
| THIS DRAWING IN DESIGN AND DETAIL IS OUR PROPERTY AND MUST NOT BE USED EXCEPT IN CONNECTION WITH OUR WORK ALL RIGHTS OF DESIGN AND INVENTION ARE RESERVED THIS IS AN ELECTRONICALLY GENERATED DOCUMENT - DO NOT SCALE THIS PRINT |                                     |                             | RFP    | CAD FILE ss86518                  |        | SIZE                 | DRAWING NO. PAGE OF REV. |
|  |                                     |                             | DIST   | LB                                | A      | SS86518              | 7                        |

EE7308

THREE PHASE  
DUAL VOLTAGE MOTOR



VIEW OF TERMINAL END

REF.  
WINDING DIAGRAM

T8Y, T2Y, T2BL, T4BX, T2EC, T2G  
T6BZ, T2B, T6BL, T4AV, T6B, T4B

OPTIONAL CORD  
CONNECTION

L1 — WHITE  
L2 — RED  
L3 — BLACK

| NO.  | REVISION                                       | BY & DATE      | CHK | ANG   | TOLERANCES<br>UNLESS SPECIFIED |        | FINISH                   | DRAWN RM 11/20/1990 |        |                    |           |        |
|--|--|----------------|-----|-------|--------------------------------|--------|--------------------------|---------------------|--------|--------------------|-----------|--------|
|  |  |                |     |       | DEC.                           | INCHES |                          |                     |        |                    |           |        |
| 5  | CHG TO REGAL LOGO                              | SL 09/10/2015  | AB  |       |                                |        |                          | CHK ML 11/21/1990   |        |                    |           |        |
| 4  | REVISED IEC NOTATIONS                          | MSG 11/15/2011 | CMN | .X    | ±.1                            |        |                          | APPD SAS 04/24/2003 |        |                    |           |        |
| 3  | ADDED IEC NOTATIONS... (U1), (V1) ETC. MU95194 | MSG 5/10/2010  | MJS | .XX   | ±.02                           |        | TITLE CONNECTION DIAGRAM | SCALE 1=1           |        |                    |           |        |
| 2  | ADDED THE OPTIONAL CORD CONNECTION MU46318     | RDH 04/24/2003 | DRS | .XXX  | ±.005                          |        | 3Ø - DUAL VOLTAGE MOTOR  | REF                 |        |                    |           |        |
| 1  | REDRAWN  | RM 11/20/1990  |     | .XXXX | ±.0005                         |        | MAT'L.                   | FMF                 |        |                    |           |        |
|  |  |                |     |       | ±7'30"                         |        |                          | PREV                |        |                    |           |        |
| THIS DRAWING IN DESIGN AND DETAIL IS OUR PROPERTY AND MUST NOT BE USED EXCEPT IN CONNECTION WITH OUR WORK ALL RIGHTS OF DESIGN AND INVENTION ARE RESERVED THIS IS AN ELECTRONICALLY GENERATED DOCUMENT - DO NOT SCALE THIS PRINT |  |                |     |       |                                |        | RFP                      | CAD FILE ee7308     | SIZE A | DRAWING NO. EE7308 | PAGE OF 5 | REV. 5 |
|  |  |                |     |       |                                |        | DIST WP                  |                     |        |                    |           |        |



Regal Beloit America, Inc.