

PRODUCT INFORMATION PACKET

marathon[®]
Motors

Model No: 254TTDX7007

Catalog No: M123

Other Purpose Motor, 20 & 15 HP, 3 Ph, 60 & 50 Hz, 208-230/460 & 190/380 V, 3600 & 3000 RPM,
254JP Frame, DP

Regal and Marathon are trademarks of Regal Rexnord Corporation or one of its affiliated companies.

©2023 Regal Rexnord Corporation, All Rights Reserved. MC017097E

RegalRexnord

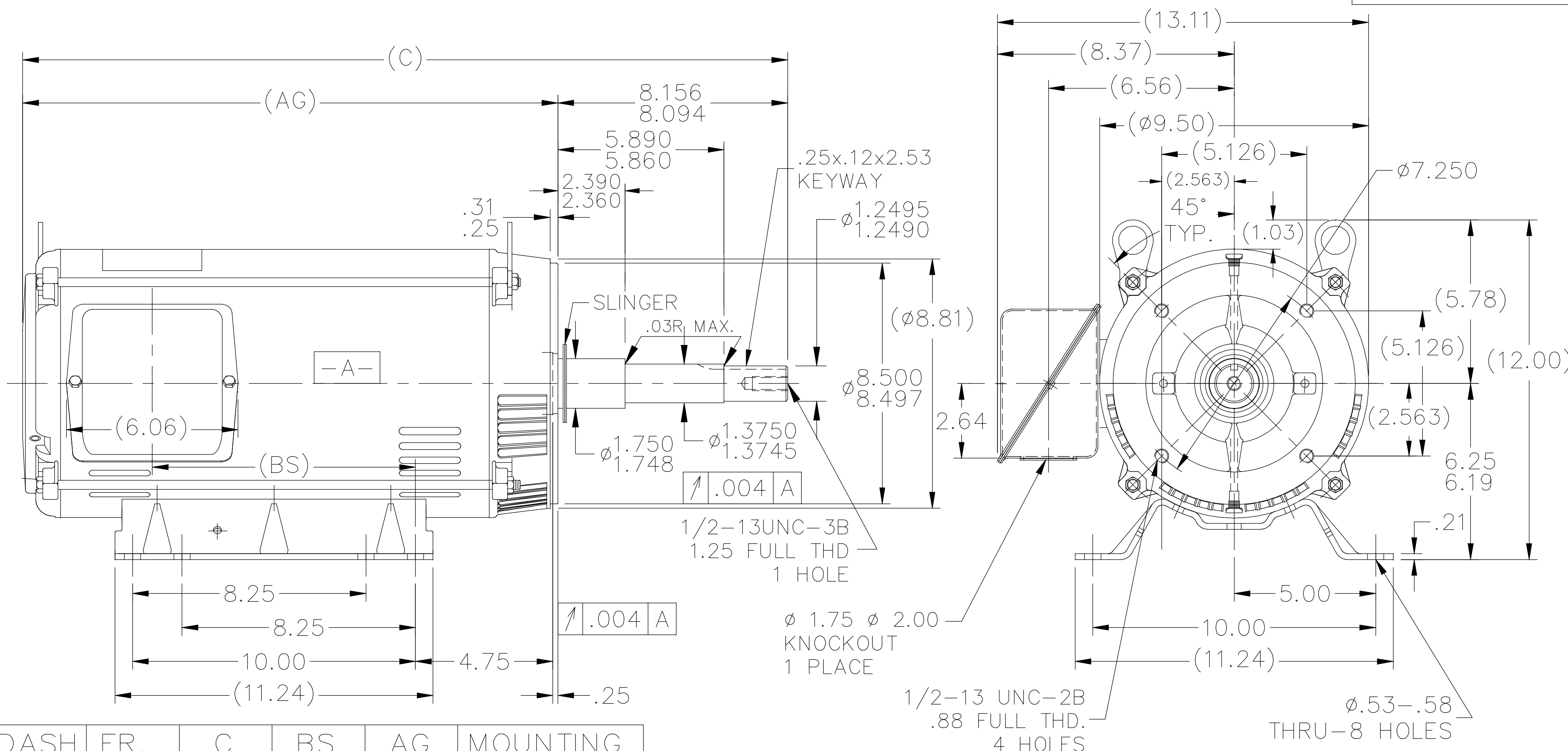
Nameplate Specifications

Phase	3	Output HP	20 & 15 Hp
Output KW	14.9 & 11.2 kW	Voltage	208-230/460 & 190/380 V
Speed	3470 & 2910 rpm	Service Factor	1.15 & 1.15
Frame	254JP	Enclosure	Drip Proof
Thermal Protection	No Protection	Efficiency	88.5 & 90.5 %
Ambient Temperature	40 °C	Frequency	60 & 50 Hz
Current	53-47/23.5 & 43/21.5 A	Power Factor	90.4
Duty	Continuous	Insulation Class	B
Design Code	B	KVA Code	G
Drive End Bearing Size	6309	Opp Drive End Bearing Size	6208
UL	No	CSA	Y
CE	Y	IP Code	12
Number of Speeds	1		

Technical Specifications

Electrical Type	Squirrel Cage Induction Run	Starting Method	Across The Line
Poles	2	Rotation	Reversible
Resistance Main	.688 Ohms	Mounting	Rigid Base
Motor Orientation	Horizontal	Drive End Bearing	Ball
Opp Drive End Bearing	Ball	Frame Material	Rolled Steel
Shaft Type	JP	Overall Length	25.29 in
Shaft Diameter	1.375 in	Shaft Extension	8.15 in
Assembly/Box Mounting	F1/F2 CAPABLE		
Connection Drawing	A-EE7308	Outline Drawing	A-SS86519-1340

SS86519



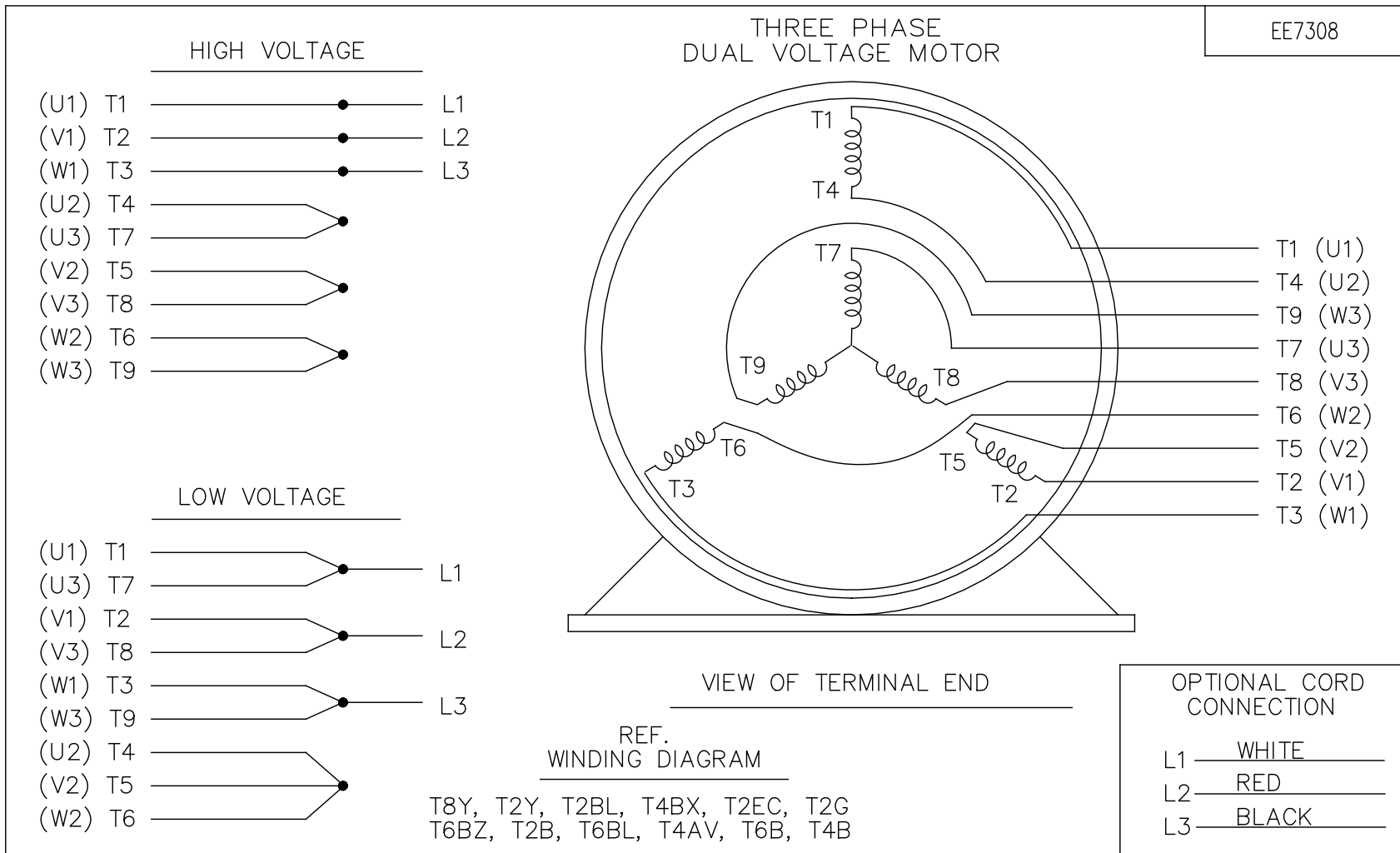
DASH	FR.	C	BS	AG	MOUNTING
1545	256JP	27.34	9.43	19.22	F1 OR F2
1340	254JP	25.29	7.68	17.17	F1 OR F2
1515	254/256JP	27.04	9.43	18.92	F1 OR F2

NOTES:

1. NAMEPLATE TO BE READ FROM C'BOX SIDE OF MOTOR.
2. BOX CAN BE MOUNTED IN 90° STEPS.
3. BOX CAN BE MOUNTED ON OPPOSITE SIDE BY REMOVING BRACKETS AND TURNING FRAME 180°. (EXCEPT AS NOTED.)

NO.	REVISION	BY & DATE	CHK	ANG	±7'30"	TOLERANCES UNLESS SPECIFIED	DEC.	INCHES	MARATHON ELECTRIC	DRAWN DJK 10-19-1993
7	ADDED 1545 PER NMR-0186853	SD 11/26/2019	AB							CHK ML 10-22-1993
6	UPDATED DRAWING	TJW 04/27/2007								APPD DRN 10-22-1993
5	REDRAWN IN AUTOCAD	TAT 07-13-2004	ML	.X	±.1					SCALE 3=16
4	ADD'D TOLERANCE TO THIRD STEP OF SHAFT CN 28604	NJS 02-28-2000		.XX	±.03				TITLE OUTLINE	REF
3	UPDATED CONDUIT BOX CN 28427	TJB 01-31-2000		.XXX	±.005				250JP FR.-BB-TS-DR.PR.-'C' FACE	FMF
2	-1515 WAS FOR 256JP FR. ONLY CN 18683	KL 10-11-1994		.XXXX	±.0005				MAT'L.	PREV
			RFP						CAD FILE ss86519	SIZE A
			DIST LB							DRAWING NO. SS86519
										PAGE OF 7
										REV. 7

THIS DRAWING IN DESIGN AND DETAIL IS OUR PROPERTY AND MUST NOT BE USED EXCEPT IN CONNECTION WITH OUR WORK ALL RIGHTS OF DESIGN AND INVENTION ARE RESERVED THIS IS AN ELECTRONICALLY GENERATED DOCUMENT - DO NOT SCALE THIS PRINT



NO.	REVISION	BY & DATE	CHK	ANG	TOLERANCES UNLESS SPECIFIED		FINISH	DRAWN RM 11/20/1990				
					DEC.	INCHES						
5	CHG TO REGAL LOGO	SL 09/10/2015	AB					CHK ML 11/21/1990				
4	REVISED IEC NOTATIONS	MSG 11/15/2011	CMN	.X	±.1			APPD SAS 04/24/2003				
3	ADDED IEC NOTATIONS... (U1), (V1) ETC. MU95194	MSG 5/10/2010	MJS	.XX	±.02			SCALE 1=1				
2	ADDED THE OPTIONAL CORD CONNECTION MU46318	RDH 04/24/2003	DRS	.XXX	±.005		TITLE CONNECTION DIAGRAM 3Ø - DUAL VOLTAGE MOTOR	REF				
1	REDRAWN	RM 11/20/1990		.XXXX	±.0005		MAT'L.	FMF				
					±7'30"			PREV				
THIS DRAWING IN DESIGN AND DETAIL IS OUR PROPERTY AND MUST NOT BE USED EXCEPT IN CONNECTION WITH OUR WORK ALL RIGHTS OF DESIGN AND INVENTION ARE RESERVED THIS IS AN ELECTRONICALLY GENERATED DOCUMENT - DO NOT SCALE THIS PRINT							RFP	CAD FILE ee7308	SIZE A	DRAWING NO. EE7308	PAGE OF 5	REV. 5
							DIST WP					