

# PRODUCT INFORMATION PACKET

Model No: 254TTDX4065

Catalog No: U436

Other Purpose Motor, 15 & 10 HP, 3 Ph, 60 & 50 Hz, 208-230/460 & 190/380 V, 1800 & 1500 RPM,  
254TC Frame, DP



Regal and Marathon are trademarks of Regal Rexnord Corporation or one of its affiliated companies.

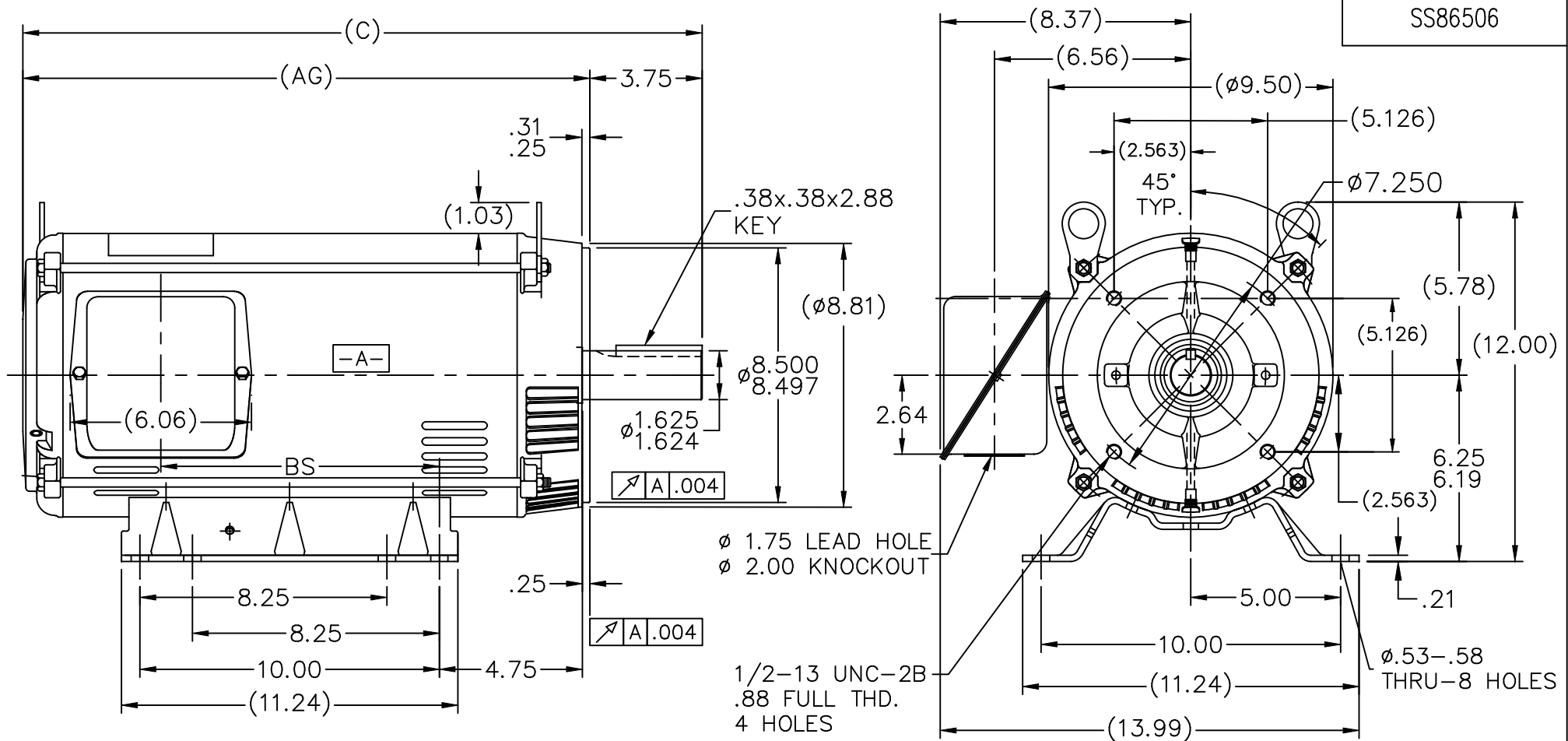
©2023 Regal Rexnord Corporation, All Rights Reserved. MC017097E

### Nameplate Specifications

Phase	<b>3</b>	Output HP	<b>15 &amp; 10 Hp</b>
Output KW	<b>11.2 &amp; 7.5 kW</b>	Voltage	<b>208-230/460 &amp; 190/380 V</b>
Speed	<b>1760 &amp; 1475 rpm</b>	Service Factor	<b>1.15 &amp; 1.15</b>
Frame	<b>254TC</b>	Enclosure	<b>Drip Proof</b>
Thermal Protection	<b>No Protection</b>	Efficiency	<b>91 &amp; 92 %</b>
Ambient Temperature	<b>40 °C</b>	Frequency	<b>60 &amp; 50 Hz</b>
Current	<b>42-38.5/19.2 &amp; 32/16 A</b>	Power Factor	<b>80.2</b>
Duty	<b>Continuous</b>	Insulation Class	<b>B</b>
Design Code	<b>B</b>	KVA Code	<b>G</b>
Drive End Bearing Size	<b>6309</b>	Opp Drive End Bearing Size	<b>6208</b>
UL	<b>Recognized</b>	CSA	<b>Y</b>
CE	<b>Y</b>	IP Code	<b>12</b>
Number of Speeds	<b>1</b>		

### Technical Specifications

Electrical Type	<b>Squirrel Cage Induction Run</b>	Starting Method	<b>Part Wdg Start Low Volt Only &amp; Wye Start Delta Run</b>
Poles	<b>4</b>	Rotation	<b>Reversible</b>
Resistance Main	<b>.62 Ohms</b>	Mounting	<b>Rigid Base</b>
Motor Orientation	<b>Horizontal</b>	Drive End Bearing	<b>Ball</b>
Opp Drive End Bearing	<b>Ball</b>	Frame Material	<b>Rolled Steel</b>
Shaft Type	<b>T</b>	Overall Length	<b>22.64 in</b>
Frame Length	<b>15.15 in</b>	Shaft Diameter	<b>1.625 in</b>
Shaft Extension	<b>3.75 in</b>	Assembly/Box Mounting	<b>F1/F2 CAPABLE</b>
Connection Drawing	<b>A-EE7358</b>	Outline Drawing	<b>A-SS86506-1515</b>



DASH	FR.	C	BS	AG	MOUNTING
1340	254T	20.89	7.68	17.14	F1 OR F2
1515	254/256T	22.64	9.43	18.89	F1 OR F2

- NOTES:
1. NAMEPLATE TO BE READ FROM C'BOX SIDE OF MOTOR.
  2. BOX CAN BE MOUNTED IN 90° STEPS.
  3. BOX CAN BE MOUNTED ON OPPOSITE SIDE BY REMOVING BRACKETS AND TURNING FRAME 180°. (EXCEPT AS NOTED.)

NO.	REVISION	BY & DATE	CHK	ANG	TOLERANCES UNLESS SPECIFIED		MARATHON ELECTRIC	DRAWN KL 09-15-1993		
					DEC.	INCHES				
5	UPDATED DRAWING	TJW 04/27/2007						CHK ML 09-16-1993		
4	REDRAWN IN AUTOCAD	TAT 06-29-2004	ML	.X	±.1			APPD DRN 09-16-1993		
3	UPDATED C' BOX	CN 28427 MSG 02-07-2001		.XX	±.03		TITLE OUTLINE	SCALE 1=5		
2	DASH 1515 WAS FOR 256T FR. ONLY	CN 18683 KL 10-11-1994		.XXX	±.005		250T FR. - BB - TS - DR.PR. - 'C' FACE	REF		
1	NEW DRAWING	KL 10-01-1993		.XXXX	±.0005		MAT'L.	FMF		
					±7'30"		FINISH	PREV		
THIS DRAWING IN DESIGN AND DETAIL IS OUR PROPERTY AND MUST NOT BE USED EXCEPT IN CONNECTION WITH OUR WORK ALL RIGHTS OF DESIGN AND INVENTION ARE RESERVED THIS IS AN ELECTRONICALLY GENERATED DOCUMENT - DO NOT SCALE THIS PRINT			RFP	CAD FILE ss86506			SIZE A	DRAWING NO. SS86506	PAGE OF 5	REV. 5
			DIST LB							

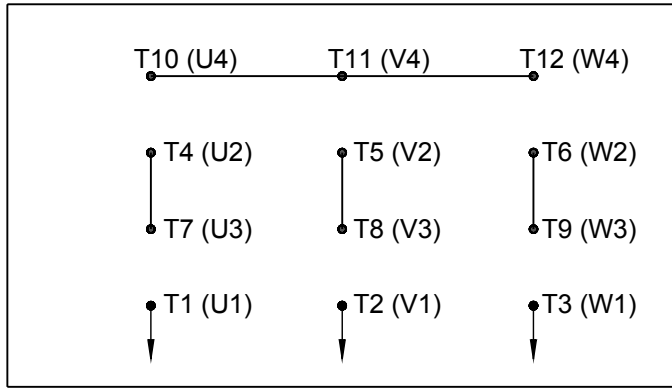
ERROR: syntaxerror  
OFFENDING COMMAND: --nostringval--

STACK:

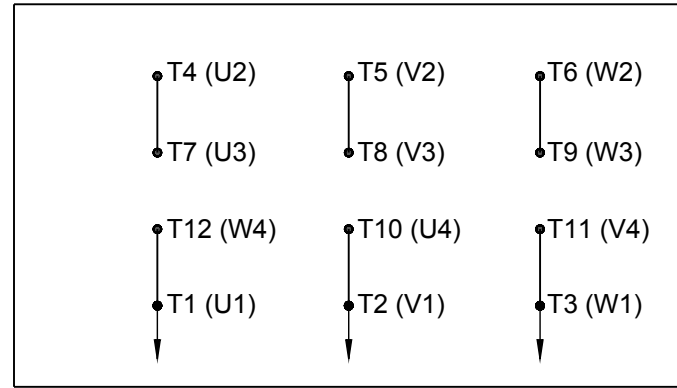
-savelevel-

# HIGH VOLTAGE

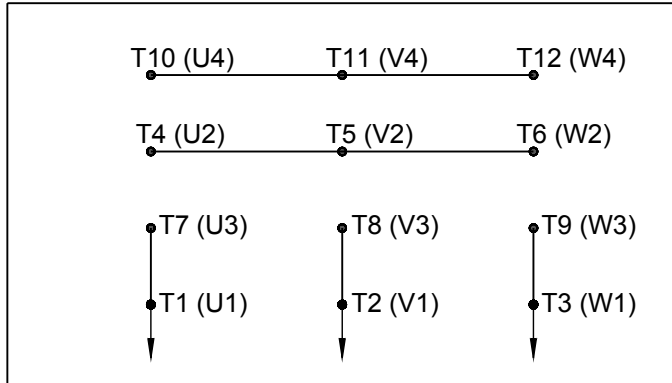
WYE START



DELTA RUN

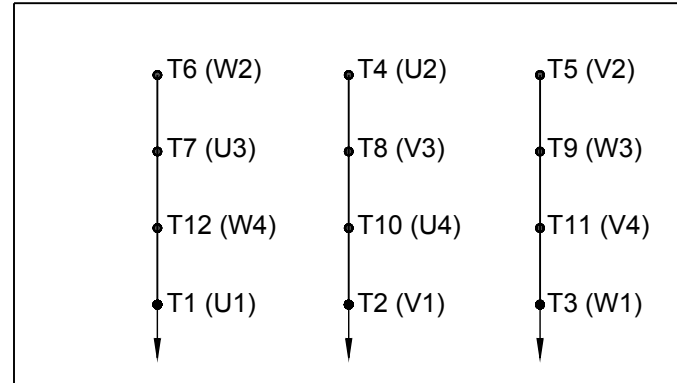


WYE START



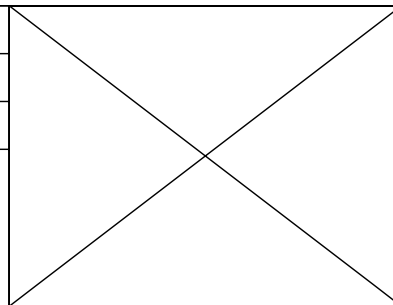
# LOW VOLTAGE

DELTA RUN



4/2 CKTY  $\triangle$

DRAWING REVISION D	REVISION BY JWO	DATE 01-26-2016
ECO ECO-0092547	APPROVED BY TB	DATE 01-26-2016
ECO DESCRIPTION ADDED IEC MARKINGS		



DRAWN BY BLR
DATE 03-09-1998
APPROVED BY GK
DATE 03-23-1998
REFERENCE
THIRD ANGLE PROJECTION

Regal Beloit America, Inc.		
DESCRIPTION <b>CONN DIAGRAM-EXTERNAL</b> 12 LEAD - DUAL VOLT. - WYE START - DELTA RUN		
MATERIAL	PROCESS/FINISH	
SIZE A	DRAWING NUMBER EE7358	SHEET 1 OF 1

COPYRIGHT REGAL BELOIT AMERICA, INC. ALL RIGHTS RESERVED. PROPRIETARY AND CONFIDENTIAL INFORMATION - THIS DOCUMENT IS THE PROPERTY OF REGAL BELOIT AMERICA, INC. ("OWNER") AND CONTAINS OWNER'S PROPRIETARY INFORMATION. ANY PERSON, CORPORATION OR OTHER FIRM RECEIVING IT IS DEEMED, BY RECEIVING IT, TO AGREE THAT IT, AND/OR ANY PART OF IT, SHALL NOT BE DISCLOSED TO ANY PERSON, CORPORATION OR OTHER ENTITY, DUPLICATED, AND/OR USED, EXCEPT AS EXPRESSLY APPROVED IN WRITING IN ADVANCE BY OWNER. THIS DOCUMENT SHALL BE RETURNED TO OWNER UPON REQUEST. IT MAY BE SUBJECT TO CERTAIN RESTRICTIONS UNDER APPLICABLE EXPORT CONTROL LAWS AND REGULATIONS.