

# PRODUCT INFORMATION PACKET

marathon®  
Motors

Model No: 254TTDR16029

Catalog No: E908A

15 HP General Purpose Motor, 3 phase, 1800 RPM, 200 V, 254T Frame, ODP  
General Purpose Motors



Regal and Marathon are trademarks of Regal Rexnord Corporation or one of its affiliated companies.  
©2021 Regal Rexnord Corporation, All Rights Reserved. MC017097E

RegalRexnord

### Nameplate Specifications

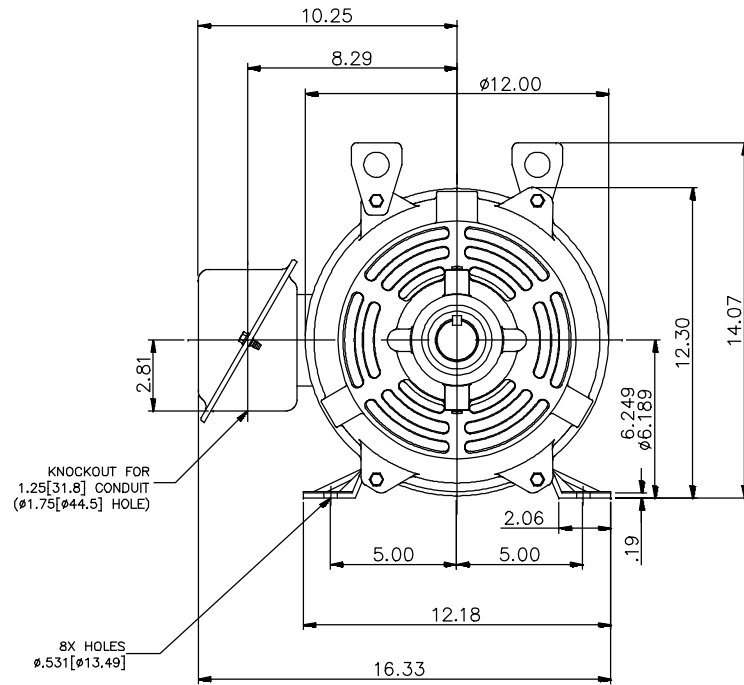
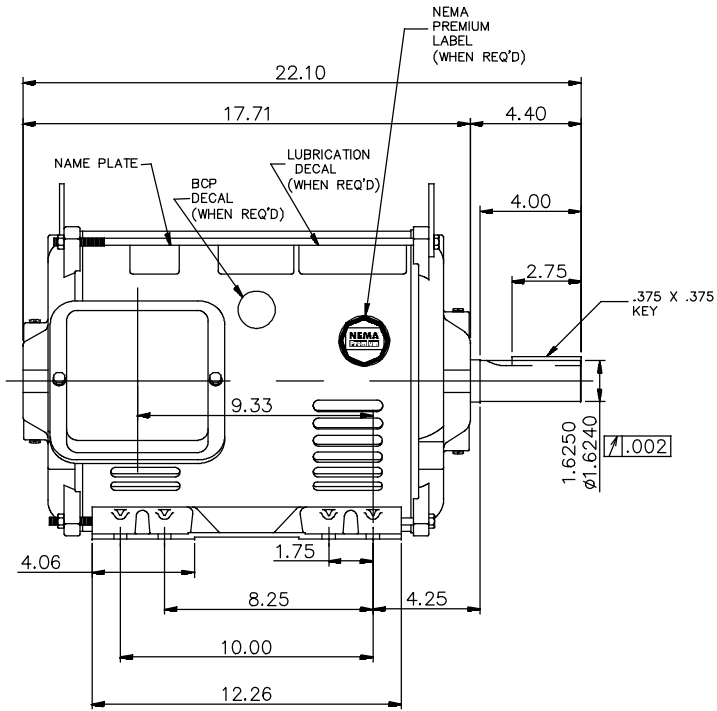
Output HP	<b>15 Hp</b>	Output KW	<b>11.2 kW</b>
Frequency	<b>60 Hz</b>	Voltage	<b>200 V</b>
Current	<b>42.5 A</b>	Speed	<b>1768 rpm</b>
Service Factor	<b>1.15</b>	Phase	<b>3</b>
Efficiency	<b>93 %</b>	Power Factor	<b>79.9</b>
Duty	<b>Continuous</b>	Insulation Class	<b>B</b>
Design Code	<b>B</b>	KVA Code	<b>G</b>
Frame	<b>254T</b>	Enclosure	<b>Drip Proof</b>
Thermal Protection	<b>No</b>	Ambient Temperature	<b>40 °C</b>
Drive End Bearing Size	<b>6309</b>	Opp Drive End Bearing Size	<b>6207</b>
UL	<b>Recognized</b>	CSA	<b>Y</b>
CE	<b>Y</b>	IP Code	<b>12</b>
Number of Speeds	<b>1</b>		

### Technical Specifications

Electrical Type	<b>Squirrel Cage Induction Run</b>	Starting Method	<b>Across The Line</b>
Poles	<b>4</b>	Rotation	<b>Reversible</b>
Resistance Main	<b>.515 Ohms</b>	Mounting	<b>Rigid Base</b>
Motor Orientation	<b>Horizontal</b>	Drive End Bearing	<b>Ball</b>
Opp Drive End Bearing	<b>Ball</b>	Frame Material	<b>Rolled Steel</b>
Shaft Type	<b>T</b>	Overall Length	<b>22.10 in</b>
Shaft Diameter	<b>1.625 in</b>	Shaft Extension	<b>4 in</b>
Assembly/Box Mounting	<b>F1/F2 CAPABLE</b>		
Connection Drawing	<b>D0000398-001</b>	Outline Drawing	<b>037977</b>

This is an uncontrolled document once printed or downloaded and is subject to change without notice. Date Created:10/06/2021

037977




NOTES:

1. CONDUIT BOX MAY BE ROTATED IN 90° INCREMENTS.
2. MOTOR IS SUITABLE FOR FIELD CONVERSION FROM AN F1 TO AN F2 CONDUIT BOX LOCATION.
3. MOTOR VENTILATION: AIR INTAKE THROUGH OPENINGS IN THE FACE OF EACH BRACKET AND EXHAUSTED THROUGH THE VENT SLOTS ON EACH END OF THE SHELL.

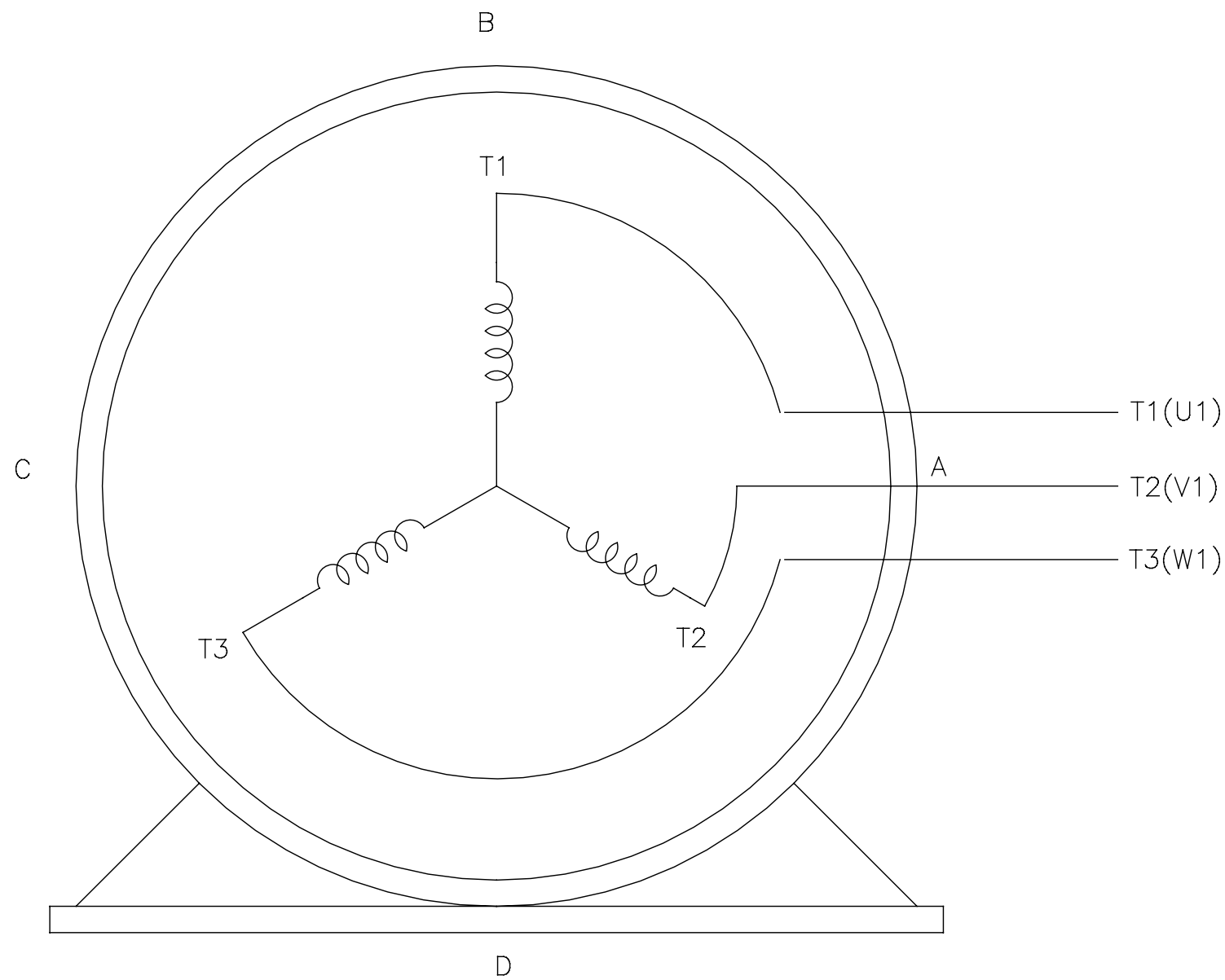
MOTOR DESCRIPTION:

3 PHASE OPEN DRIPPROOF STEEL SHELL 254T OR 256T MOUNTING. OTHER MOUNTING ORIENTATIONS ARE ACCEPTABLE; HOWEVER WHEN MOUNTED OTHER THAN HORIZONTAL; MOTOR WILL NOT BE DRIPPROOF AS DEFINED BY NEMA.

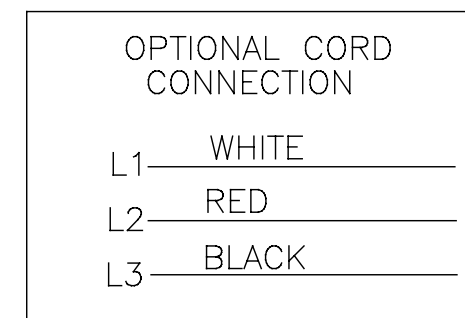
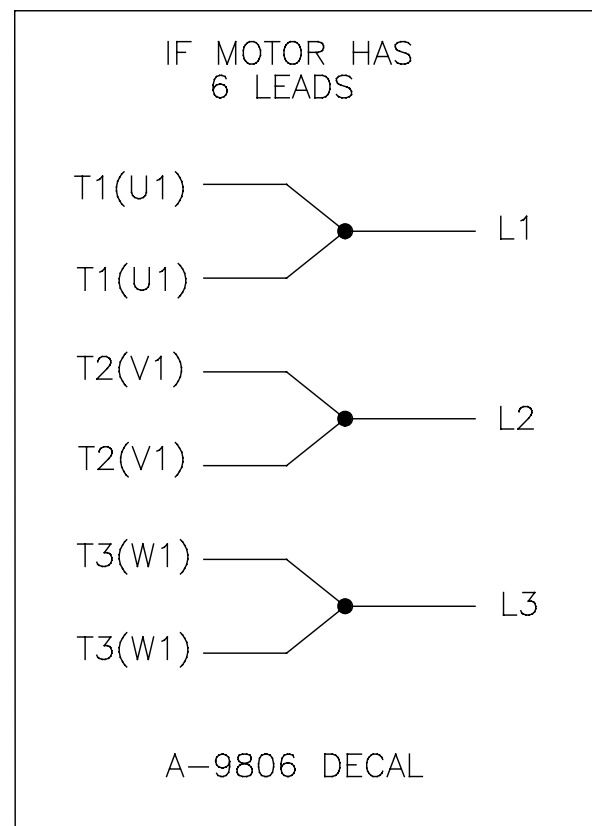
NO.	REVISION	BY & DATE	CHK	ANG	TOLERANCES UNLESS SPECIFIED		DRAWN	PVR						
					DEC.	INCHES								
004	DECAL UPDATED AS PER ECR-0162503	GNK 09/14/2018	GNK	.X	±.1	 <b>Regal Beloit America, Inc.</b>	01/28/15	CHK	ST 01/28/15					
003	ADDED NAME PLATE	MVG 12/12/17	SR	.XX	±.03		TITLE	APPD	SCALE	1=4.2				
002	CHANGED FROM 20 HP TO 15 HP	AS 01/19/17	ST	.XXX	±.005		OUTLINE	REF	18748501-001					
001	ADDED REGAL LOGO	SRK 02/23/16	GR	.XXXX	±.0005		MAT'L.	FMF						
					±7'30"		FINISH	PREV						
THIS DRAWING IN DESIGN AND DETAIL IS OUR PROPERTY AND MUST NOT BE USED EXCEPT IN CONNECTION WITH OUR WORK ALL RIGHTS OF DESIGN AND INVENTION ARE RESERVED THIS IS AN ELECTRONICALLY GENERATED DOCUMENT - DO NOT SCALE THIS PRINT							RFP	CAD FILE		037977	SIZE	DRAWING NO.	PAGE 1 OF 1	REV.
							DIST	LB	A	037977				003

THREE PHASE – SINGLE VOLTAGE  
MOTOR – CONDUIT BOX @ 'A'

TO REVERSE ROTATION:  
INTERCHANGE ANY TWO LINE  
LEAD CONNECTIONS



VIEW OF TERMINAL END



DRAWING REVISION B	REVISION BY M.RODARTE	DATE 01-27-2016	TOLERANCES UNLESS OTHERWISE SPECIFIED	DRAWN BY: H.SANCHEZ	<b>Regal Beloit America, Inc.</b>
ECO 0084243	APPROVED BY M.RODARTE	DATE 01-27-2016	DEC. INCH mm ANGLE .X ±0.1 [±2.5] ±0.5° .XX ±0.02 [±0.51] .XXX ±0.005 [±0.127] .XXXX ±0.0005 [±0.0127]	DATE: 06-14-2012	
ECO DESCRIPTION UPDATE REVISION	<small>COPYRIGHT REGAL BELOIT AMERICA, INC. ALL RIGHTS RESERVED. PROPRIETARY AND CONFIDENTIAL INFORMATION - THIS DOCUMENT IS THE PROPERTY OF REGAL BELOIT AMERICA, INC. (OWNERS) AND CONTAINS OWNERS PROPRIETARY INFORMATION. ANY PERSON, CORPORATION OR OTHER FIRM RECEIVING IT IS DEEMED, BY RECEIVING IT, TO AGREE THAT IT, AND/OR ANY PART OF IT, SHALL NOT BE DISCLOSED TO ANY PERSON, CORPORATION OR OTHER ENTITY, DUPLICATED, AND/OR USED, EXCEPT AS EXPRESSLY APPROVED IN WRITING IN ADVANCE BY OWNER. THIS DOCUMENT SHALL BE RETURNED TO OWNER UPON REQUEST. IT MAY BE SUBJECT TO CERTAIN RESTRICTIONS UNDER APPLICABLE EXPORT CONTROL LAWS AND REGULATIONS.</small>		REMOVE BURRS & BREAK SHARP EDGES .003/.015 [0.076/.381] CORNER FILLETS .02 [.51] MACHINED SURFACES $\frac{125}{\text{INCH}} \sqrt{\text{mm}^3/2}$	APPROVED BY: D.JAMARA	DESCRIPTION CONN DIAGRAM-EXTERNAL
			THIRD ANGLE PROJECTION	DATE: 06-14-2012	MATERIAL
			SIZE DWG NO C D0000398-001	REFERENCE	PROCESS/FINISH
			mm SHOWN IN [BRACKETS]		SHEET 1



Data Sheet

Date: 6/29/2017

254TTDR16029

Customer: \_\_\_\_\_

Attention: \_\_\_\_\_

Submitted by: FAREEDA DUDEKULA



Submittal

Data @ 200 V

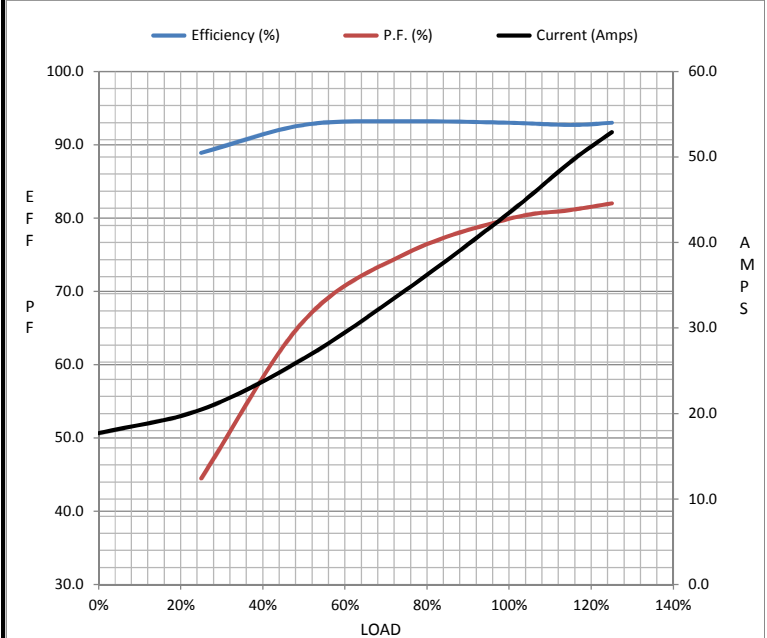
Motor Load Data

Load	0%	25%	50%	75%	100%	115%	125%	LR
Current (Amps)	17.7	20.5	26.5	34.5	43.5	49.5	52.9	262
Torque (ft-lb)	0.00	11.0	22.0	33.0	44.5	51.0	60.0	84.1
RPM	1800	1793	1785	1777	1768	1,762	1740	0
Efficiency (%)		88.9	92.7	93.2	93.0	92.7	93.0	
P.F. (%)	0.0	44.5	66.0	75.2	79.9	81.1	82.0	0.0

Motor Speed Data

	LR	Pull-Up	BD	Rated	Idle
Speed (RPM)	0	884	1656	1768	1800
Current (Amps)	262	236	157	43.5	17.7
Torque (ft-lb)	84.1	71.5	117	44.5	0.00

Information Block				
HP	15.0			
Sync. RPM	1800			
Frame	254			
Enclosure	DP			
Construction	TDR			
Voltage	200 V			
Frequency	60 Hz			
Design	B			
LR Code letter	G			
Service Factor	1.15			
Temp Rise @ FL	21 °C			
Duty	CONT			
Ambient	40 °C			
Elevation	1,000 feet			
Rotor/Shaft wk <sup>2</sup>	2.00 Lb-Ft <sup>2</sup>			
Ref Wdg	BGR4T01 NONE			
Sound Pressure @ 1M	999 dBA			
VFD Rating	NONE			
Outline Dwg	037977			
Conn. Diag	D0000398-001			
Additional Specifications:				
0				
0				
EQUIV CKT (OHMS / PHASE)				
R1	R2	X1	X2	Xm
0.0000	0.0000	0.0000	0.0000	0.0000



Speed -Torque Curve

