

PRODUCT INFORMATION PACKET

Model No: 254TTDCA6092

Catalog No: GT0517

7.50 HP Close-Coupled Pump Motor, 3 phase, 1200 RPM, 575 V, 254JMV Frame, ODP
Close-Coupled Pump Motors



Regal and Marathon are trademarks of Regal Rexnord Corporation or one of its affiliated companies.
©2021 Regal Rexnord Corporation, All Rights Reserved. MC017097E



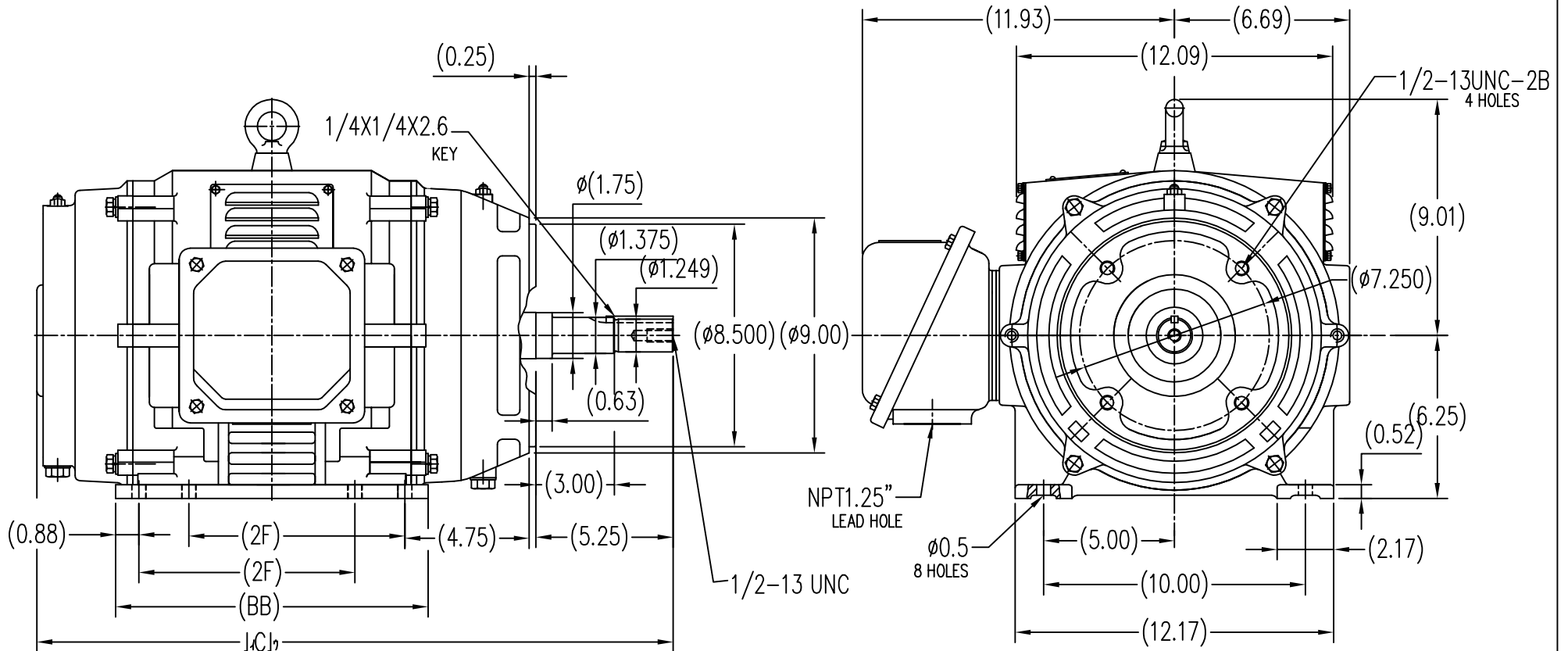
Nameplate Specifications

Output HP	7.50 Hp	Output KW	5.6 kW
Frequency	60 Hz	Voltage	575 V
Current	8.4 A	Speed	1182 rpm
Service Factor	1.15	Phase	3
Efficiency	90.2 %	Power Factor	73.5
Duty	Continuous	Insulation Class	F
Design Code	B	KVA Code	G
Frame	254JMV	Enclosure	Drip Proof
Thermal Protection	No	Ambient Temperature	40 °C
Drive End Bearing Size	6309	Opp Drive End Bearing Size	6208
UL	Recognized	CSA	Y
CE	Y	IP Code	22
Number of Speeds	1		

Technical Specifications

Electrical Type	Squirrel Cage Inverter Rated	Starting Method	Line Or Inverter
Poles	6	Rotation	Reversible
Resistance Main	1.62 Ohms	Mounting	Rigid Base
Motor Orientation	Horizontal Or Shaft Down	Drive End Bearing	Ball
Opp Drive End Bearing	Ball	Frame Material	Cast Iron
Shaft Type	JM	Overall Length	24.41 in
Shaft Diameter	1.250 in	Shaft Extension	5.25 in
Assembly/Box Mounting	F1/F2 CAPABLE	Inverter Load	VARIABLE 10:1
Connection Drawing	EE7300	Outline Drawing	SS620313-254T

SS620313



254T	8.25	12.00	24.41
256T	10.00	13.59	25.99
FRAME	2F	BB	C

TOLERANCES UNLESS SPECIFIED		REGAL-BELOIT CORPORATION		DRAWN ZYH 6-8-2010	
DEC.	INCHES	CHK	HZJ 6-8-2010	APPD	CL 6-8-2010
.X	±.1	TITLE	OUTLINE	SCALE	1=6
.XX	±.03	254/256T FR-JM-CAST IRON		REF	
.XXX	±.005	MAT'L.		FMF	HWADA
.XXXX	±.0005	FINISH		PREV	
ND.	REVISION	BY & DATE	CHK	ANG	±1/2
THIS DRAWING IN DESIGN AND DETAIL IS OUR PROPERTY AND MUST NOT BE USED EXCEPT IN CONNECTION WITH OUR WORK. ALL RIGHTS OF DESIGN AND INVENTION ARE RESERVED. THIS IS AN ELECTRONICALLY GENERATED DOCUMENT - DO NOT SCALE THIS PRINT			RFP	CAD FILE	JM 254-256
			DIST	SIZE	DRAWING NO.
				B	SS620313
					REV.

**THREE PHASE - SINGLE VOLTAGE
MOTOR - CONDUIT BOX @ 'A'**

**TO REVERSE ROTATION:
INTERCHANGE ANY TWO
LINE LEAD CONNECTIONS.**

TERMINAL BLOCK WHEN SPECIFIED



VIEW OF TERMINAL END

**IF MOTOR HAS
6 LEADS**

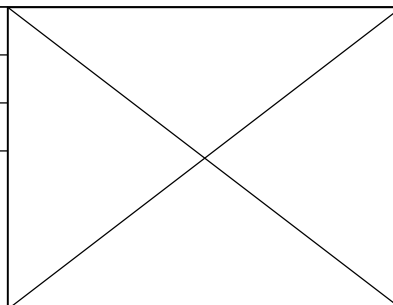


A-9806 DECAL

**OPTIONAL CORD
CONNECTION**

- L1 _____ WHITE _____
- L2 _____ RED _____
- L3 _____ BLACK _____

DRAWING REVISION AB	REVISION BY JJB	DATE 06-27-2017
ECO ECO-0125361	APPROVED BY TB	DATE 06-27-2017
ECO DESCRIPTION UPDATED TO CURRENT STANDARDS		
<small>COPYRIGHT REGAL BELOIT AMERICA, INC. ALL RIGHTS RESERVED. PROPRIETARY AND CONFIDENTIAL INFORMATION - THIS DOCUMENT IS THE PROPERTY OF REGAL BELOIT AMERICA, INC. ("OWNER") AND CONTAINS OWNER'S PROPRIETARY INFORMATION. ANY PERSON, CORPORATION OR OTHER FIRM RECEIVING IT IS DEEMED, BY RECEIVING IT, TO AGREE THAT IT, AND/OR ANY PART OF IT, SHALL NOT BE DISCLOSED TO ANY PERSON, CORPORATION OR OTHER ENTITY, DUPLICATED, AND/OR USED, EXCEPT AS EXPRESSLY APPROVED IN WRITING IN ADVANCE BY OWNER. THIS DOCUMENT SHALL BE RETURNED TO OWNER UPON REQUEST. IT MAY BE SUBJECT TO CERTAIN RESTRICTIONS UNDER APPLICABLE EXPORT CONTROL LAWS AND REGULATIONS.</small>		



DRAWN BY DA
DATE 03-26-1993
APPROVED BY TB
DATE 03-26-1993
REFERENCE
THIRD ANGLE PROJECTION

Regal Beloit America, Inc.		
		DESCRIPTION CONNECTION DIAGRAM EXTERNAL - SINGLE VOLTAGE - 3Ø MOTOR
MATERIAL	PROCESS/FINISH	
SIZE A	DRAWING NUMBER EE7300	SHEET 1 OF 1

CERTIFICATION DATA SHEET

Model#: 254TTDCA6092 AA
CONN. DIAGRAM: EE7300
OUTLINE: SS620313

WINDING#: CHT25460002 NONE 3
ASSEMBLY: F1/F2 CAPABLE

TYPICAL MOTOR PERFORMANCE DATA

HP	KW	SYNC. RPM	F.L. RPM	FRAME	ENCLOSURE	KVA CODE	DESIGN
7 1/2	5.6	1200	1182	254JMV	DP	G	B

PH	Hz	VOLTS	FL AMPS	START TYPE	DUTY	INSL	S.F	AMB°C	ELEVATION
3	60	575	8.4	LINE OR INVERTER	CONTINUOU S	F7	1.15	40	3300

FULL LOAD EFF: 90.2	3/4 LOAD EFF: 89.5	1/2 LOAD EFF: 87.5	GTD. EFF	ELEC. TYPE	NO LOAD AMPS
FULL LOAD PF: 73.5	3/4 LOAD PF: 66.5	1/2 LOAD PF: 53.5	89.5	SQ CAGE INV RATED	5

F.L. TORQUE	LOCKED ROTOR AMPS	L.R. TORQUE	B.D. TORQUE	F.L. RISE°C
33.4 LB-FT	43.2	51 LB-FT 150	86 LB-FT 257	40

SOUND PRESSURE @ 3 FT.	SOUND POWER	ROTOR WK^2	MAX. WK^2	SAFE STALL TIME	STARTS /HOUR	APPROX. MOTOR WGT
62 dBA	72 dBA	2.2 LB-FT^2	150 LB-FT^2	15 SEC.	2	225 LBS.

***** SUPPLEMENTAL INFORMATION *****

DE BRACKET TYPE	ODE BRACKET TYPE	MOUNT TYPE	ORIENTATION	SEVERE DUTY	HAZARDOUS LOCATION	DRIP COVER	SCREENS	PAINT
C-FACE	STANDARD	RIGID	HORIZONTAL OR SHAFT DOWN	FALSE	NONE	FALSE	NONE	BLUE (ENAMEL)

BEARINGS		GREASE	SHAFT TYPE	SPECIAL DE	SPECIAL ODE	SHAFT MATERIAL	FRAME MATERIAL
DE	OPE						
BALL	BALL	POLYREX EM	JM	NONE	NONE	1045 HOT ROLLED (C-204)	CAST IRON
6309	6208						

THERMO-PROTECTORS				THERMISTORS	CONTROL	SPACE /n HEATERS
THERMOSTATS	PROTECTORS	WDG RTDs	BRG RTDs			
NONE	NOT	NONE	NONE	NONE	FALSE	NONE VOLTS

If Inverter equals NONE, contact factory for further information

*
N
O
T
E
S
*

INVERTER TORQUE: VARIABLE 10:1
INV. HP SPEED RANGE: NONE
ENCODER: NONE
NONE NONE
NONE NONE PPR
BRAKE: NONE NONE
NONE P/N NONE
NONE NONE
- FT-LB NONE V NONE Hz

DATE: 06/23/2017 02:45:02 AM
 FORM 3531 REV.3 02/07/99
 ** Subject to change without notice.

Data Sheet

Date: 19-06-2017
Customer: _____
Attention: _____
Submitted by: FAREEDA DUDEKULA



254TTDCA6092

Submittal

Data @ **575 V**

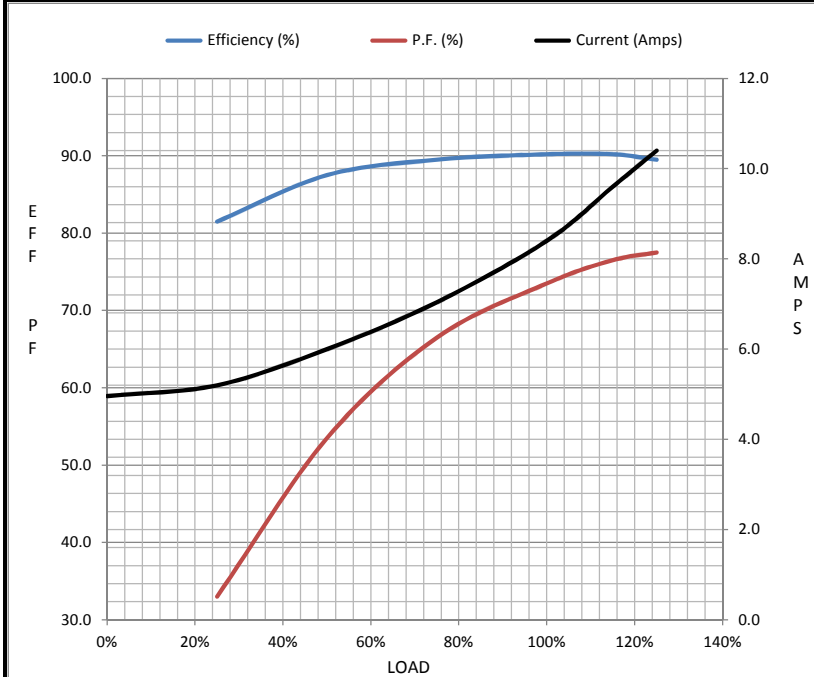
Motor Load Data

Load	0%	25%	50%	75%	100%	115%	125%	LR
Current (Amps)	5.0	5.2	6.0	7.0	8.4	9.6	10.4	43.2
Torque (ft-lb)	0.00	8.2	16.5	24.9	33.4	38.5	42.0	51.0
RPM	1200	1195	1190	1185	1182	1,178	1175	0
Efficiency (%)		81.5	87.5	89.5	90.2	90.2	89.5	
P.F. (%)	6.0	33.0	53.5	66.5	73.5	76.5	77.5	37.0

Motor Speed Data

	LR	Pull-Up	BD	Rated	Idle
Speed (RPM)	0	600	1100	1182	1200
Current (Amps)	43.2	38.8	27.2	8.4	5.0
Torque (ft-lb)	51.0	45.0	86.0	33.4	0.00

Information Block				
HP	7.5			
Sync. RPM	1200			
Frame	254			
Enclosure	DP			
Construction	TDC			
Voltage	575 V			
Frequency	60 Hz			
Design	B			
LR Code letter	G			
Service Factor	1.15			
Temp Rise @ FL	40 °C			
Duty	CONT			
Ambient	40 °C			
Elevation	1,000 feet			
Rotor/Shaft wk ²	2.20 Lb-Ft ²			
Ref Wdg	CHT25460002 NONE			
Sound Pressure @ 1M	62 dBA			
VFD Rating	VARIABLE 10:1			
Outline Dwg	SS620313			
Conn. Diag	EE7300			
Additional Specifications:				
0				
365THFS8036				
EQUIV CKT (OHMS / PHASE)				
R1	R2	X1	X2	Xm
1.4770	0.7090	3.5440	5.4460	67.8630



Speed - Torque Curve

