

PRODUCT INFORMATION PACKET

Model No: 254TTDBD6076

Catalog No: GT0057

Globetrotter® General Purpose Motor, 7.50 & 5 HP, 3 Ph, 60 & 50 Hz, 230/460 & 190/380 V,
1200 & 1000 RPM, 254T Frame, DP



Regal and Marathon are trademarks of Regal Rexnord Corporation or one of its affiliated companies.
©2024 Regal Rexnord Corporation, All Rights Reserved. MC017097E



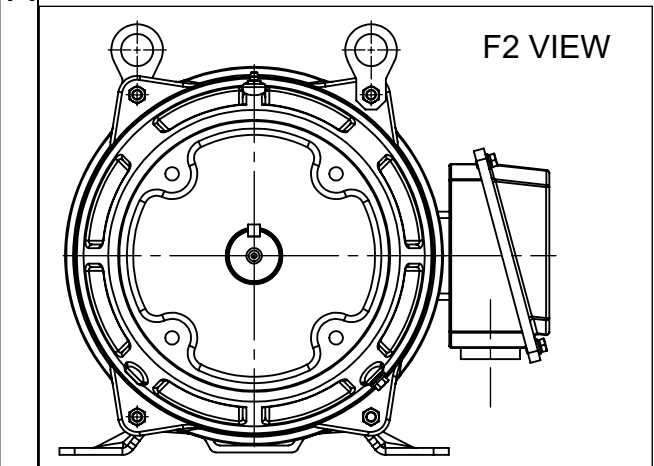
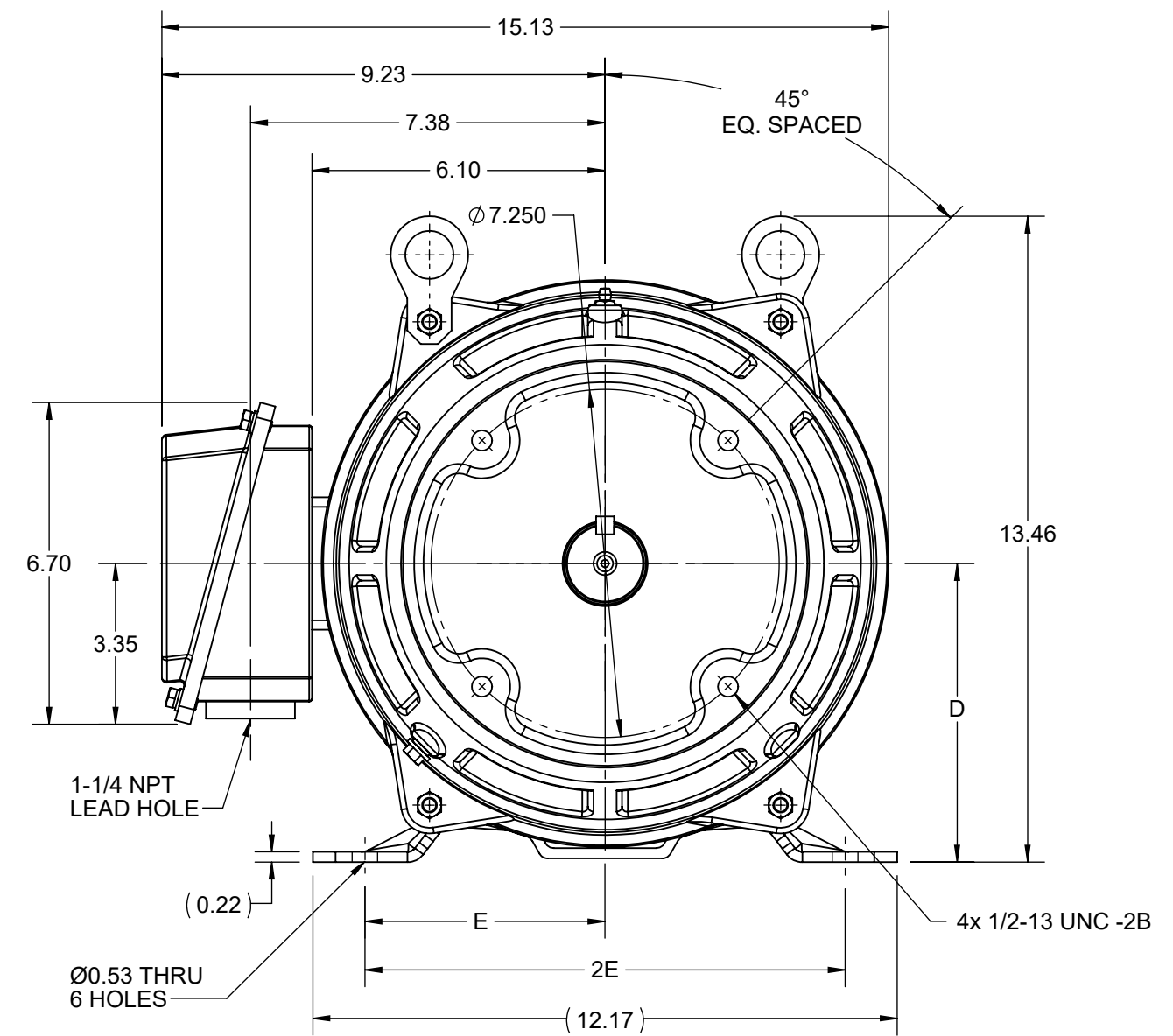
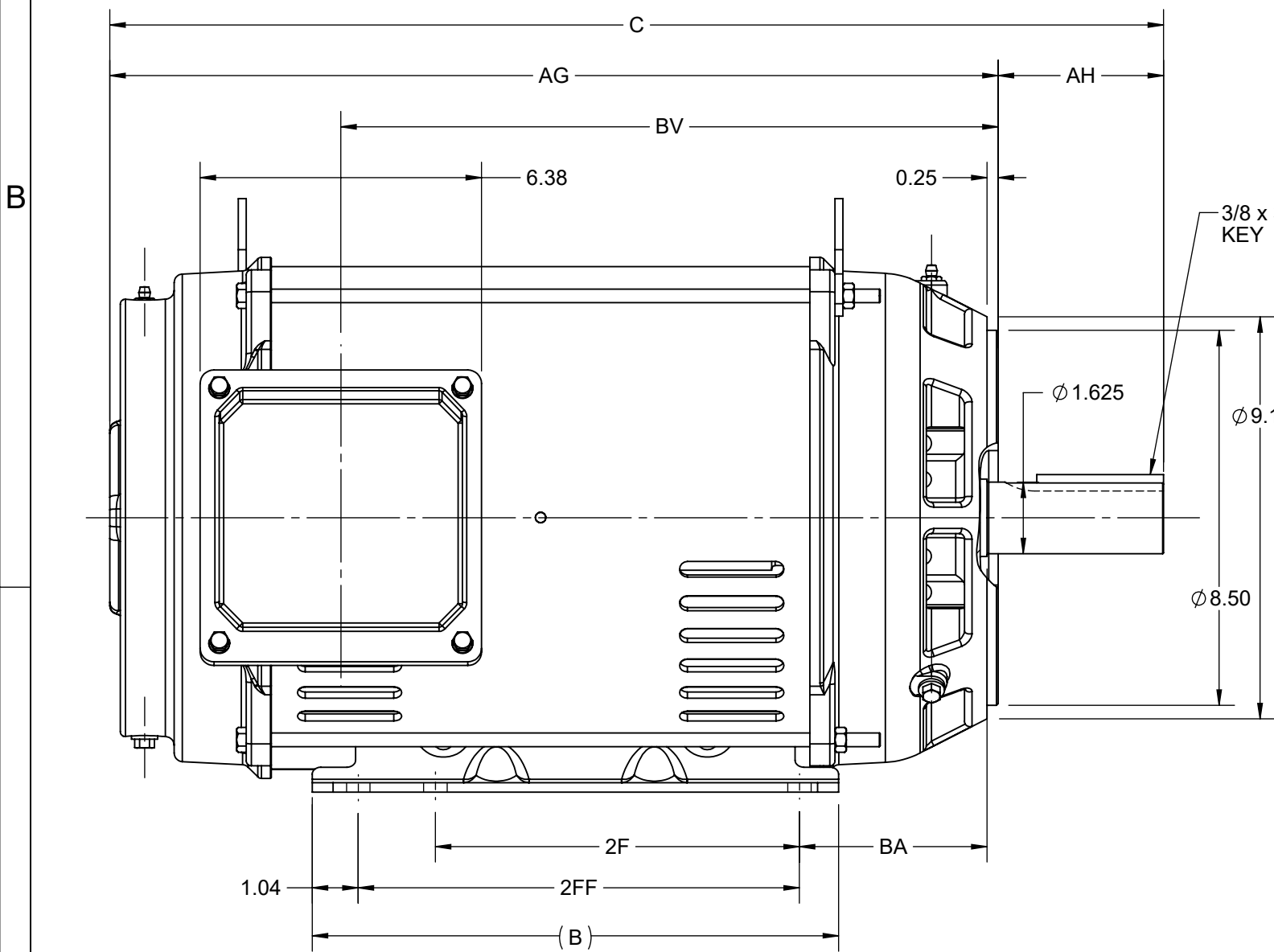
Nameplate Specifications

Phase	3	Output HP	7.50 & 5 Hp
Output KW	5.6 & 3.7 kW	Voltage	230/460 & 190/380 V
Speed	1182 & 984 rpm	Service Factor	1.15 & 1.15
Frame	254T	Enclosure	Drip Proof
Thermal Protection	No Protection	Efficiency	90.2 & 89.5 %
Ambient Temperature	40 °C	Frequency	60 & 50 Hz
Current	20.2/10.1 & 17.6/8.8 A	Power Factor	77
Duty	Continuous	Insulation Class	F
Design Code	B	KVA Code	H
Drive End Bearing Size	6309	Opp Drive End Bearing Size	6208
UL	Recognized	CSA	Y
CE	Y	IP Code	22
Number of Speeds	1		

Technical Specifications

Electrical Type	Squirrel Cage Inverter Rated	Starting Method	Line Or Inverter
Poles	6	Rotation	Reversible
Resistance Main	1.659 Ohms	Mounting	Rigid Base
Motor Orientation	Horizontal	Drive End Bearing	Ball
Opp Drive End Bearing	Ball	Frame Material	Rolled Steel
Shaft Type	T	Overall Length	22.64 in
Frame Length	10.62 in	Shaft Diameter	1.625 in
Shaft Extension	4 in	Assembly/Box Mounting	F1/F2 CAPABLE
Inverter Load	CONSTANT 10:1/VARIABLE 10:1		
Outline Drawing	SS620685-100	Connection Drawing	EE7308K

DASH NO.	B	C	D	E	2E	2F	2FF	AG	AH	BA	BV	MOUNTING	FRAME
100	11.93	22.31	6.25	5.00	10.00	8.25	10.00	18.56	3.75	3.50	13.32	F1 OR F2	254TC
200		23.88						20.13			14.90		256TC

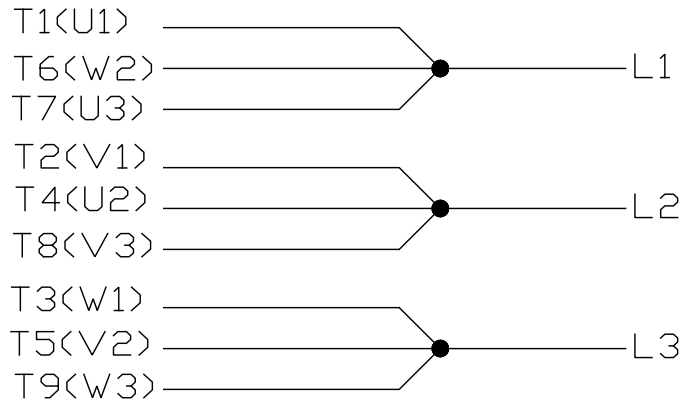


DRAWING REVISION A	REVISION BY RAM	REV DATE/© DATE 22/08/2022
REQUEST NUMBER CR-0010970	APPROVED BY SBD	DATE 22/08/2022
REQUEST NUMBER DESCRIPTION NEW DRAWING RELEASE		
<small>COPYRIGHT (PER REVISION DATE) REGAL BELOIT AMERICA, INC. ALL RIGHTS RESERVED. PROPRIETARY AND CONFIDENTIAL INFORMATION - THIS DOCUMENT IS THE PROPERTY OF REGAL BELOIT AMERICA, INC. ("OWNER") AND CONTAINS OWNER'S PROPRIETARY INFORMATION. ANY PERSON, CORPORATION OR OTHER FIRM RECEIVING IT IS DEEMED, BY RECEIVING IT, TO AGREE THAT IT, AND/OR ANY PART OF IT, SHALL NOT BE DISCLOSED TO ANY PERSON, CORPORATION OR OTHER ENTITY, DUPLICATED, AND/OR USED, EXCEPT AS EXPRESSLY APPROVED IN WRITING IN ADVANCE BY OWNER. THIS DOCUMENT SHALL BE RETURNED TO OWNER UPON REQUEST. IT MAY BE SUBJECT TO CERTAIN RESTRICTIONS UNDER APPLICABLE EXPORT CONTROL LAWS AND REGULATIONS.</small>		

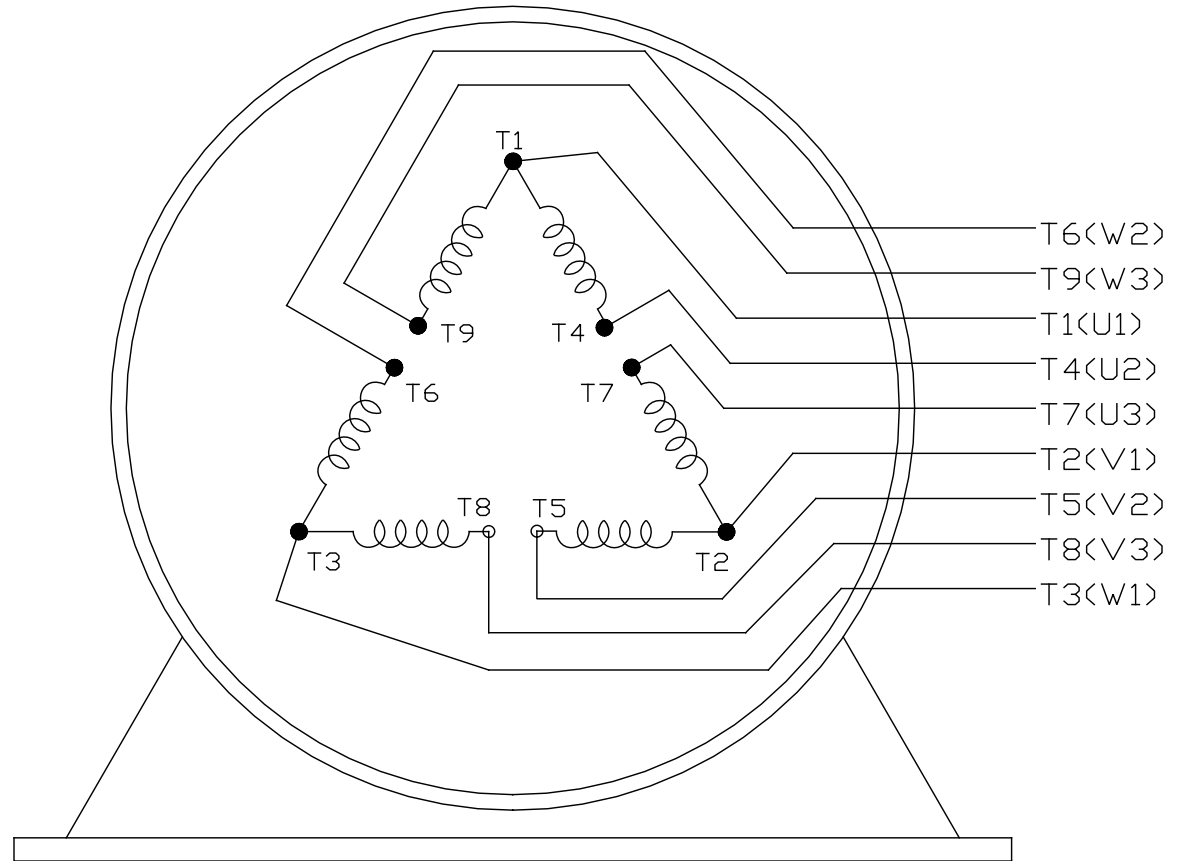
PRIMARY DIMENSIONS ARE INCH
mm DIMENSIONS IN [BRACKETS]
ARE FOR REFERENCE ONLY

DRAWN BY RAM	Regal Beloit America, Inc.
DATE 22/08/2022	
APPROVED BY SBD	DESCRIPTION OUTLINE 254/256TC FR NEMA ODP RS C-FACE KIT
DATE 22/08/2022	MATERIAL PROCESS/FINISH
REFERENCE SS620685	SIZE DRAWING NUMBER SS620685A
THIRD ANGLE PROJECTION 	SHEET 1 OF 1


LOW VOLTAGE



HIGH VOLTAGE



VIEW OF TERMINAL END

				TOLERANCES UNLESS SPECIFIED		 REGAL - BELOIT CORPORATION	DRAWN PGK 06-04-1997					
NO.	REVISION	BY & DATE	CHK	ANG	±		UNIT	CHK	ML 06-05-1997			
E	CORRECTED IEC MARKINGS	ECO-0111208	WGJ	01-23-2017	EMH	DEC.	INCHES	APPD	GK 06-15-1997			
D	RE-DRAWN WITH REGAL LOGO	ECO-0110493	WGJ	09-30-2016	EMH	.X	±.1					
8	ADDED IEC DESIGNATIONS	MU95020	TJW	4/30/2010	MJS	.XX	±.02	TITLE CONNECTION DIAGRAM				
7	REVISED HIGH VOLTAGE L2 WAS L3	CN52600-354	MRB	09-21-1998		.XXX	±.005	SCALE REF				
6	REDRAWN ON CADD		PGK	06-05-1997		.XXXX	±.0005	MAT'L. FMF				
						±7'30"		PREV				
THIS DRAWING IN DESIGN AND DETAIL IS OUR PROPERTY AND MUST NOT BE USED EXCEPT IN CONNECTION WITH OUR WORK ALL RIGHTS OF DESIGN AND INVENTION ARE RESERVED THIS IS AN ELECTRONICALLY GENERATED DOCUMENT - DO NOT SCALE THIS PRINT						RFP	CAD FILE EE7308K		SIZE A	DRAWING NO. EE7308K	PAGE OF	REV. E
						DIST						



**P.O. BOX 8003
WAUSAU, WI 54401-8003
PH. 715-675-3311**

CERTIFICATION DATA SHEET

CUSTOMER:

**CUSTOMER
PO#:**

ORDER #:

MODEL #: 254TTDBD6076 AA

CONN. DIAGRAM: EE7308K

**CUSTOMER PART
#:**

OUTLINE: SS620685-254T

MOUNTING: F1/F2 CAPABLE

WINDING #: HE31606009 2

TYPICAL MOTOR PERFORMANCE DATA

HP	kW	SYNC. RPM	F.L. RPM	FRAME	ENCLOSURE	KVA CODE	DESIGN
7 1/2&5	5.60&3.70	1200	1182&984	254T	DP	H	B

PH	Hz	VOLTS	AMPS	START TYPE	DUTY	INSL	S.F.	AMB°C
3	60/50	230/460&190/380	20.2/10.1&17.6/8.8	LINE OR INVERTER	CONTINUOUS	F7	1.15/1.15	40

FULL LOAD EFF:	90.2&89.5	3/4 LOAD EFF:	90.2	1/2 LOAD EFF:	88.5	GTD. EFF	89.5	ELEC. TYPE	SQ CAGE INV RATED
FULL LOAD PF:	77&73	3/4 LOAD PF:	70	1/2 LOAD PF:	58				

F.L. TORQUE	LOCKED ROTOR AMPS	L.R. TORQUE	B.D. TORQUE	F.L. RISE°C
33.4 LB-FT	120 / 60	66 LB-FT 198 %	85 LB-FT 254 %	40

SOUND PRESSURE @ 3 FT.	SOUND POWER	ROTOR WK^2	MAX. WK^2	SAFE STALL TIME	STARTS / HOUR	APPROX. MOTOR WGT
62 dBA	72 dBA	2.4 LB-FT^2	150 LB-FT^2	15 SEC.	2	230 LBS.

***** SUPPLEMENTAL INFORMATION *****

DE BRACKET TYPE	ODE BRACKET TYPE	MOUNT TYPE	ORIENTATION	SEVERE DUTY	HAZARDOUS LOCATION	DRIP COVER	SCREENS	PAINT
STANDARD	STANDARD	RIGID	HORIZONTAL	FALSE	NONE	FALSE	NONE	BLUE (EPOXY)

BEARINGS		GREASE	SHAFT TYPE	SPECIAL DE	SPECIAL ODE	SHAFT MATERIAL	FRAME MATERIAL
DE	ODE						
BALL	BALL	POLYREX EM	T	NONE	NONE	1045 HOT ROLLED (C-204)	ROLLED STEEL
6309	6208						

THERMO-PROTECTORS				THERMISTORS	CONTROL	SPACE HEATERS
THERMOSTATS	PROTECTORS	WDG RTDs	BRG RTDs			
NONE	NOT	NONE	NONE	NONE	FALSE	NONE VOLTS

*
N
O
T
E
S
*

INVERTER TORQUE: CONSTANT 2:1/VARIABLE 20:1
INV. HP SPEED RANGE: NONE
ENCODER: NONE NONE NONE NONE NONE PPR
BRAKE: NONE NONE NONE P/N NONE NONE NONE NONE FT-LB NONE V NONE Hz

PREPARED BY: Anusha Muthyala
DATE: 09/24/2019 01:49:31 AM
FORM 3531 REV.3 02/07/99
** Subject to change without notice.

Data Sheet

Date: 12/2/2021
 Customer: _____
 Attention: _____
 Submitted by: _____



254TTDBD6076

Submittal

Data @ 460 V

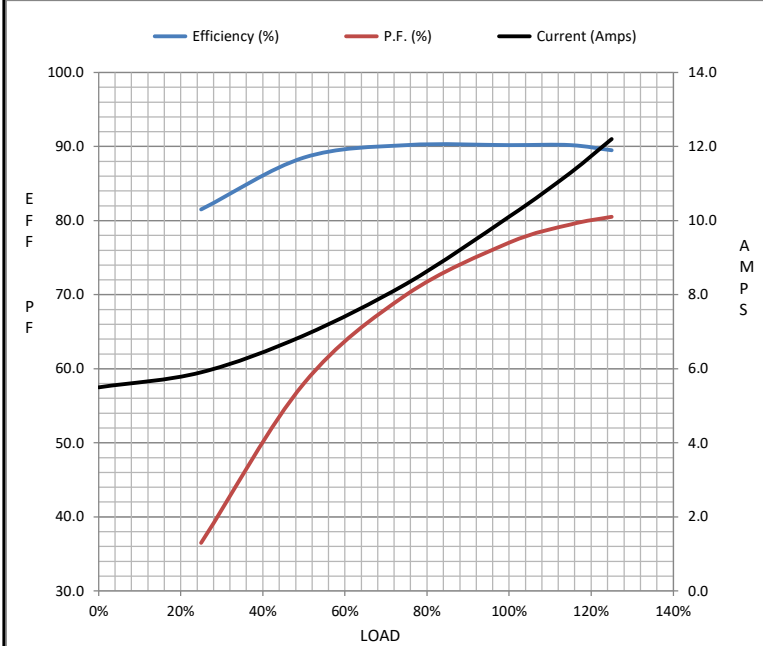
Motor Load Data

Load	0%	25%	50%	75%	100%	115%	125%	LR
Current (Amps)	5.5	5.9	6.9	8.3	10.1	11.3	12.2	60.0
Torque (ft-lb)	0.00	8.2	16.5	24.9	33.4	38.5	42.0	66.0
RPM	1200	1195	1190	1185	1182	1,178	1175	0
Efficiency (%)		81.5	88.5	90.2	90.2	90.2	89.5	
P.F. (%)	6.5	36.5	58.0	70.0	77.0	79.5	80.5	46.0

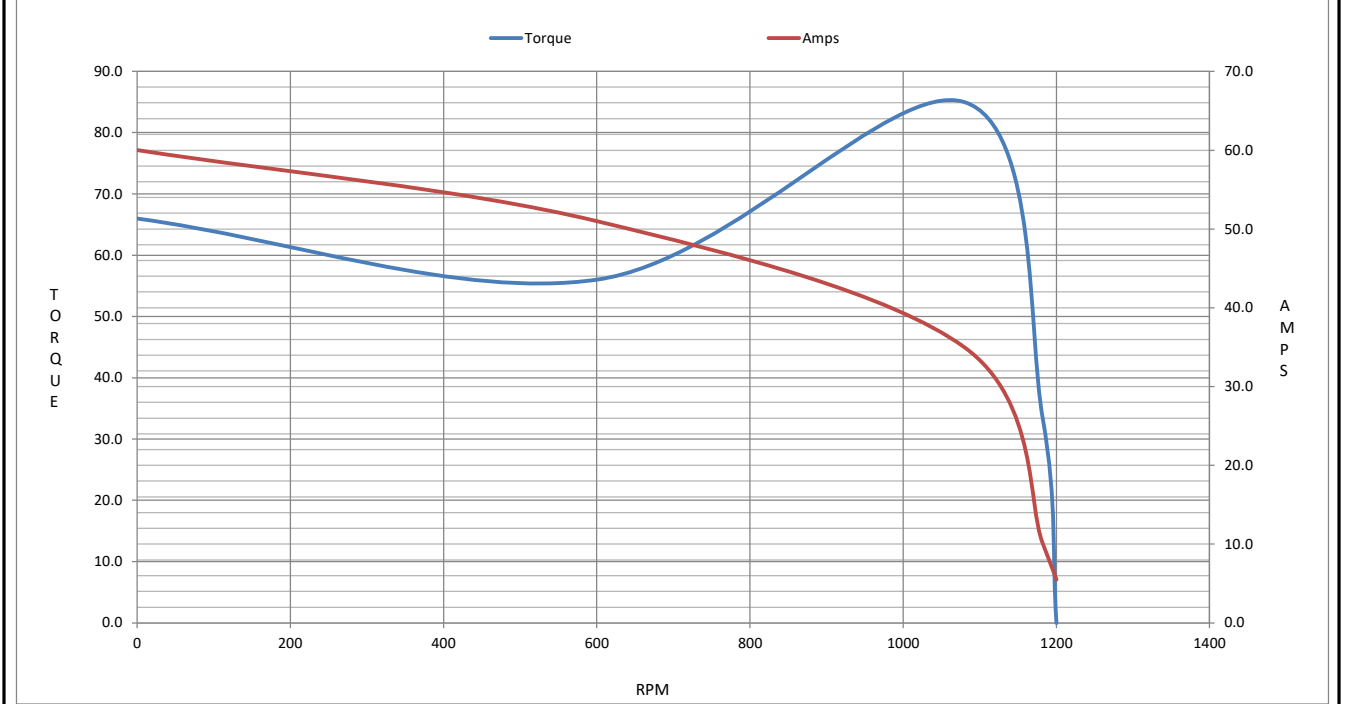
Motor Speed Data

	LR	Pull-Up	BD	Rated	Idle
Speed (RPM)	0	600	1080	1182	1200
Current (Amps)	60.0	51.0	35.0	10.1	5.5
Torque (ft-lb)	66.0	56.0	85.0	33.4	0.00

Information Block				
HP	7.5			
Sync. RPM	1200			
Frame	254			
Enclosure	DP			
Construction	TDB			
Voltage	230/460#190/380 V			
Frequency	60 Hz			
Design	B			
LR Code letter	H			
Service Factor	1.15			
Temp Rise @ FL	40 ° C			
Duty	CONT			
Ambient	40 ° C			
Elevation	3,300 feet			
Rotor/Shaft wk ²	2.40 Lb-F ²			
Ref Wdg	HA31606009 NONE			
Sound Pressure @ 1M	62 dBA			
VFD Rating	CONSTANT 2:1/VARIABLE 20:1			
Outline Dwg	SS620685-100			
Conn. Diag	EE7308K			
Additional Specifications:				
0				
0				
EQUIV CKT (OHMS / PHASE)				
R1	R2	X1	X2	Xm
0.9830	0.4800	2.5480	3.1190	48.0820



Speed - Torque Curve



EC Declaration of Conformity

The undersigned representing
the manufacturer:

Regal Beloit America
100 East Randolph St.
Wausau, WI 54401

and the authorized representative
established within the Community:

Marathon Electric UK
6F Thistleton Road Ind. Estate
Market Overton
Oakham, Rutland LE15 7PP UK

are committed to providing customers with products that comply with applicable regulations and international protocols to which they are subject, including the requirements of the European Parliament Directive on the Harmonization of the laws relating to electrical equipment designed for use within certain voltage limits (2014/35/EU).

Regal Beloit America declares that the following product(s), to which this declaration relates, are in conformity with the relevant sections of the EC standards listed below.

This statement supersedes any statements previously issued pertaining to the product(s) listed below and is subject to change without notice.

Model No : 254TTDBD6076

(Model No. may contain prefix and/or suffix characters)

Catalog No : GT0057

Rework No : N/A

Directives :

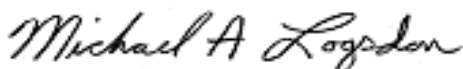
Low Voltage Directive 2014/35/EU

Harmonized Standards Used :

EN 60034-1: 2010 (IEC 60034-1: 2010)


EN 60034-5: 2001/A1:2007 (IEC 60034-5: 2000/A1:2006)

Authorized Representative:



Michael A. Logsdon
Vice President, Technology

Authorized Representative in the Community:



Julian Clark
Marketing Engineer

Created on 09/01/2022

CE 22