

PRODUCT INFORMATION PACKET

marathon®
Motors

Model No: 254TTDBD6070

Catalog No: GT0059-P

Globetrotter® General Purpose Motor, 15 & 10 HP, 3 Ph, 60 & 50 Hz, 230/460 & 190/380 V,
1800 & 1500 RPM, 254T Frame, DP



Regal and Marathon are trademarks of Regal Rexnord Corporation or one of its affiliated companies.
©2024 Regal Rexnord Corporation, All Rights Reserved. MC017097E

RegalRexnord

Nameplate Specifications

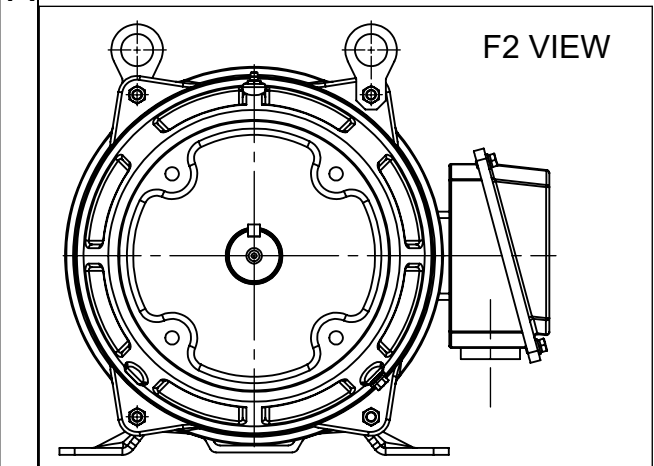
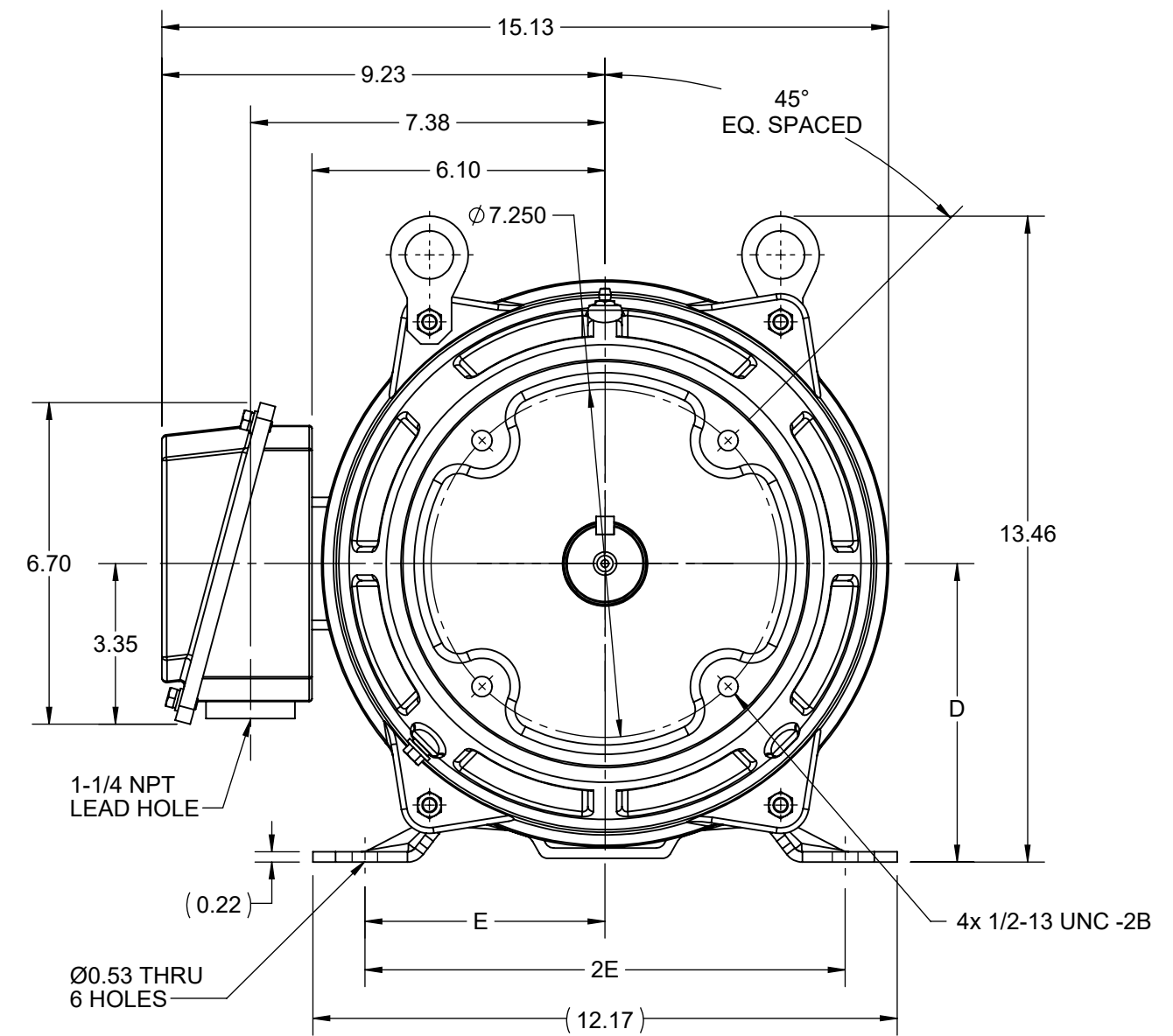
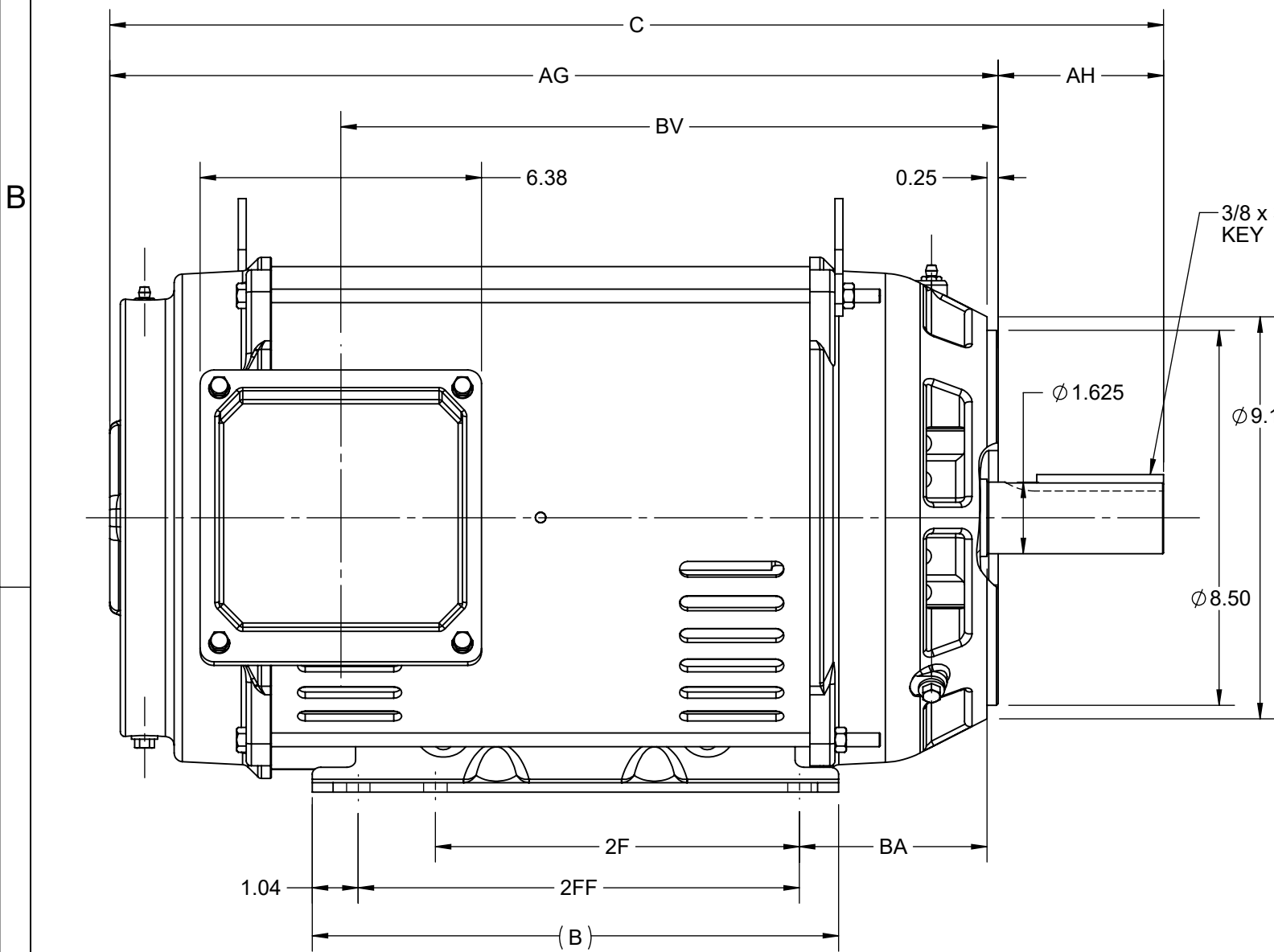
| | | | |
|------------------------|--------------------------------|----------------------------|--------------------------------|
| Phase | 3 | Output HP | 15 & 10 Hp |
| Output KW | 11.2 & 7.5 kW | Voltage | 230/460 & 190/380 V |
| Speed | 1774 & 1478 rpm | Service Factor | 1.15 & 1.15 |
| Frame | 254T | Enclosure | Drip Proof |
| Thermal Protection | No Protection | Efficiency | 93 & 92.3 % |
| Ambient Temperature | 40 °C | Frequency | 60 & 50 Hz |
| Current | 37.5/18.8 & 32/16 A | Power Factor | 81 |
| Duty | Continuous | Insulation Class | F |
| Design Code | B | KVA Code | G |
| Drive End Bearing Size | 6309 | Opp Drive End Bearing Size | 6208 |
| UL | Recognized | CSA | Y |
| CE | Y | IP Code | 22 |
| Number of Speeds | 1 | | |

Technical Specifications

| | | | |
|-----------------------|-------------------------------------|-------------------|-----------------------------------|
| Electrical Type | Squirrel Cage Inverter Rated | Starting Method | Line Or Inverter |
| Poles | 4 | Rotation | Reversible |
| Resistance Main | .6729 Ohms | Mounting | Rigid Base |
| Motor Orientation | Horizontal | Drive End Bearing | Ball |
| Opp Drive End Bearing | Ball | Frame Material | Rolled Steel |
| Shaft Type | T | Shaft Diameter | 1.625 in |
| Assembly/Box Mounting | F1/F2 CAPABLE | Inverter Load | CONSTANT 2:1/VARIABLE 10:1 |
| Connection Drawing | EE7308K | Outline Drawing | SS620685-100 |

This is an uncontrolled document once printed or downloaded and is subject to change without notice. Date Created:10/18/2024

| DASH NO. | B | C | D | E | 2E | 2F | 2FF | AG | AH | BA | BV | MOUNTING | FRAME |
|----------|-------|-------|------|------|-------|------|-------|-------|------|------|-------|----------|-------|
| 100 | 11.93 | 22.31 | 6.25 | 5.00 | 10.00 | 8.25 | 10.00 | 18.56 | 3.75 | 3.50 | 13.32 | F1 OR F2 | 254TC |
| 200 | | 23.88 | | | | | | 20.13 | | | 14.90 | | 256TC |



| | | |
|---|--------------------|-------------------------------|
| DRAWING REVISION A | REVISION BY RAM | REV DATE/© DATE 22/08/2022 |
| REQUEST NUMBER CR-0010970 | APPROVED BY SBD | DATE 22/08/2022 |
| REQUEST NUMBER DESCRIPTION NEW DRAWING RELEASE | | |
| <small>COPYRIGHT (PER REVISION DATE) REGAL BELOIT AMERICA, INC. ALL RIGHTS RESERVED. PROPRIETARY AND CONFIDENTIAL INFORMATION - THIS DOCUMENT IS THE PROPERTY OF REGAL BELOIT AMERICA, INC. ("OWNER") AND CONTAINS OWNER'S PROPRIETARY INFORMATION. ANY PERSON, CORPORATION OR OTHER FIRM RECEIVING IT IS DEEMED, BY RECEIVING IT, TO AGREE THAT IT, AND/OR ANY PART OF IT, SHALL NOT BE DISCLOSED TO ANY PERSON, CORPORATION OR OTHER ENTITY, DUPLICATED, AND/OR USED, EXCEPT AS EXPRESSLY APPROVED IN WRITING IN ADVANCE BY OWNER. THIS DOCUMENT SHALL BE RETURNED TO OWNER UPON REQUEST. IT MAY BE SUBJECT TO CERTAIN RESTRICTIONS UNDER APPLICABLE EXPORT CONTROL LAWS AND REGULATIONS.</small> | | |

PRIMARY DIMENSIONS ARE INCH
mm DIMENSIONS IN [BRACKETS]
ARE FOR REFERENCE ONLY

| | |
|------------------------|--|
| DRAWN BY RAM | Regal Beloit America, Inc. |
| DATE 22/08/2022 | |
| APPROVED BY SBD | DESCRIPTION OUTLINE 254/256TC FR NEMA ODP RS C-FACE KIT |
| DATE 22/08/2022 | MATERIAL PROCESS/FINISH |
| REFERENCE SS620685 | SIZE B |
| THIRD ANGLE PROJECTION | DRAWING NUMBER SS620685A |
| | SHEET 1 OF 1 |

LOW VOLTAGE



HIGH VOLTAGE



VIEW OF TERMINAL END

| | | | | TOLERANCES UNLESS SPECIFIED | |  REGAL - BELOIT CORPORATION | DRAWN PGK 06-04-1997 | | | |
|--|--|----------------|-----|-----------------------------|--------|--|---------------------------|--------------------|---------------------|------|
| NO. | REVISION | BY & DATE | CHK | ANG | ± | | UNIT | CHK | ML 06-05-1997 | |
| E | CORRECTED IEC MARKINGS ECD-0111208 | WGJ 01-23-2017 | EMH | DEC. | | INCHES | | | | |
| D | RE-DRAWN WITH REGAL LOGO ECD-0110493 | WGJ 09-30-2016 | EMH | .X | ±.1 | | | APPD GK 06-15-1997 | | |
| 8 | ADDED IEC DESIGNATIONS MU95020 | TJW 4/30/2010 | MJS | .XX | ±.02 | | TITLE | SCALE | | |
| 7 | REVISED HIGH VOLTAGE L2 WAS L3 CN52600-354 | MRB 09-21-1998 | | .XXX | ±.005 | | CONNECTION DIAGRAM | REF | | |
| 6 | REDRAWN ON CADD | PGK 06-05-1997 | | .XXXX | ±.0005 | | DELTA CON. - 3Ø - 9 LEADS | FMF | | |
| | | | | | ±7'30" | | MAT'L. | PREV | | |
| | | | | | | | FINISH | | | |
| THIS DRAWING IN DESIGN AND DETAIL IS OUR PROPERTY AND MUST NOT BE USED EXCEPT IN CONNECTION WITH OUR WORK ALL RIGHTS OF DESIGN AND INVENTION ARE RESERVED THIS IS AN ELECTRONICALLY GENERATED DOCUMENT - DO NOT SCALE THIS PRINT | | | | | | RFP | CAD FILE EE7308K | SIZE | DRAWING NO. PAGE OF | REV. |
| | | | | | | DIST | | A | EE7308K | E |