

PRODUCT INFORMATION PACKET

Model No: 254THFNA9030

Catalog No: W547

15 HP Severe Duty Motor, 3 phase, 1800 RPM, 575 V, 254T Frame, TEFC
Severe Duty Motors



Regal and Marathon are trademarks of Regal Rexnord Corporation or one of its affiliated companies.
©2021 Regal Rexnord Corporation, All Rights Reserved. MC017097E



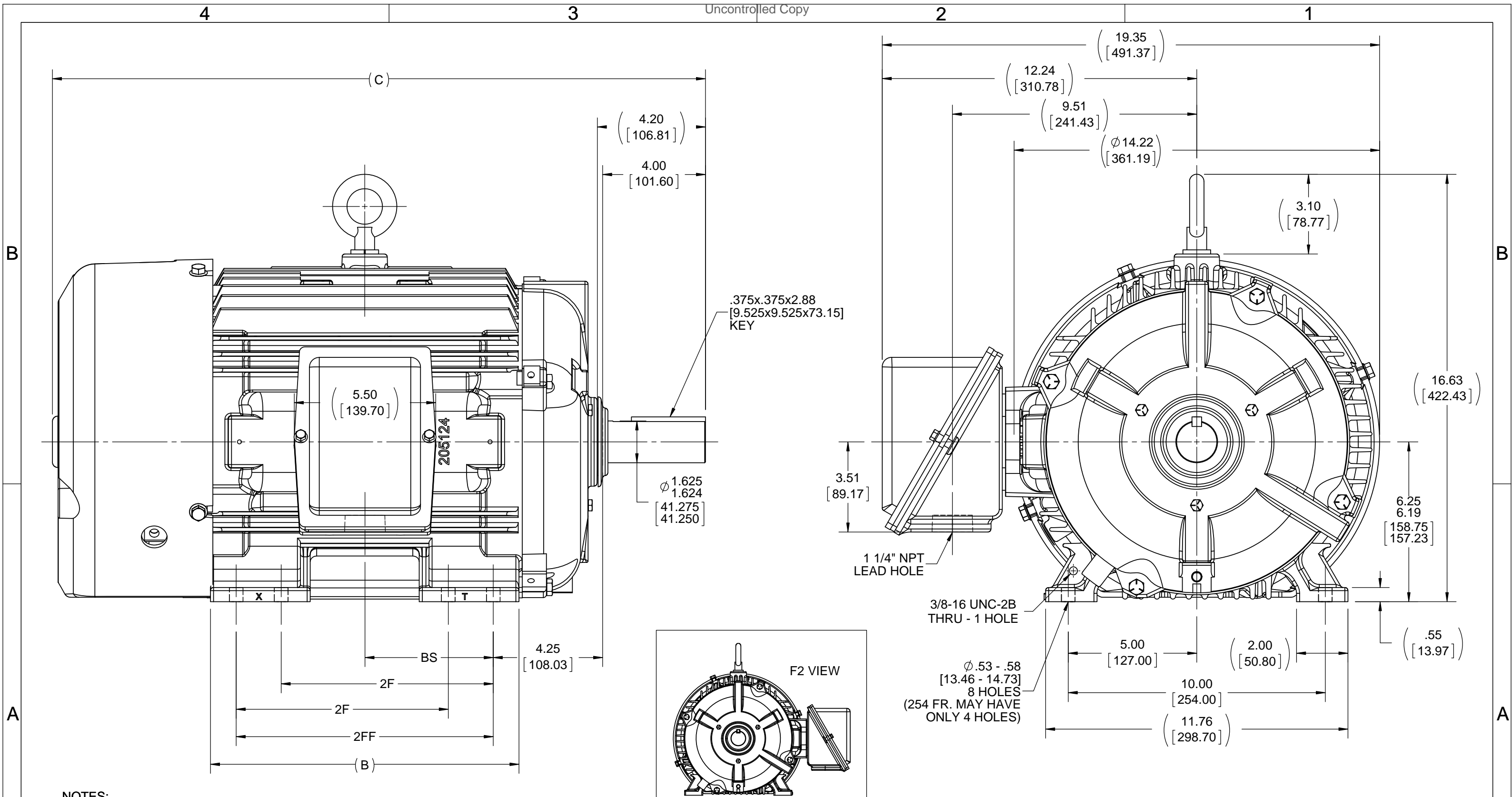
Nameplate Specifications

| | | | |
|------------------------|-------------------|----------------------------|------------------------------------|
| Output HP | 15 Hp | Output KW | 11.2 kW |
| Frequency | 60 Hz | Voltage | 575 V |
| Current | 15.0 A | Speed | 1775 rpm |
| Service Factor | 1.15 | Phase | 3 |
| Efficiency | 92.4 % | Power Factor | 81 |
| Duty | Continuous | Insulation Class | F |
| Design Code | B | KVA Code | G |
| Frame | 254T | Enclosure | Totally Enclosed Fan Cooled |
| Thermal Protection | No | Ambient Temperature | 40 °C |
| Drive End Bearing Size | 6309 | Opp Drive End Bearing Size | 6210 |
| UL | Recognized | CSA | Y |
| CE | Y | IP Code | 56 |
| Number of Speeds | 1 | | |

Technical Specifications

| | | | |
|-----------------------|-------------------------------------|-----------------------|-------------------------|
| Electrical Type | Squirrel Cage Inverter Rated | Starting Method | Line Or Inverter |
| Poles | 4 | Rotation | Reversible |
| Resistance Main | .649 Ohms | Mounting | Rigid Base |
| Motor Orientation | Horizontal | Drive End Bearing | Ball |
| Opp Drive End Bearing | Ball | Frame Material | Cast Iron |
| Shaft Type | T | Overall Length | 23.65 in |
| Frame Length | 10.50 in | Shaft Diameter | 1.625 in |
| Shaft Extension | 4.2 in | Assembly/Box Mounting | F1/F2 Capable |
| Connection Drawing | A-EE7300 | Outline Drawing | B-SS203002-1050 |

This is an uncontrolled document once printed or downloaded and is subject to change without notice. Date Created:10/06/2021



- NOTES:
 1. CONDUIT BOX CAN BE ROTATED ON ITS AXIS.
 2. CONDUIT BOX CAN BE MOUNTED ON OPPOSITE SIDE BY REMOVING BRACKETS AND TURNING FRAME 180°.
 3. NAMEPLATE TO BE READ FROM CONDUIT BOX SIDE OF MOTOR.

| | | | | | | |
|------|----------|-------------------|-------------------|------------------|-------------------|------------------|
| 1050 | 254T | 23.65 [600.71] | 10.25 [260.35] | --- | 8.25 [209.55] | 4.25 [107.95] |
| 1225 | 254/256T | 25.40 [645.16] | 12.00 [304.80] | 8.25 [209.55] | 10.00 [254.00] | 5.00 [127.00] |
| DASH | FRAME | C | B | 2F | 2FF | BS |
| | | 4 | | | | |

| | | |
|---|----------------------------|--------------------|
| DRAWING REVISION E | REVISION BY M GERTSCHEN | DATE 11-17-2016 |
| ECO ECO-0112972 | APPROVED BY T VUE | DATE 11-17-2016 |
| ECO DESCRIPTION UPDATED TO CURRENT STANDARDS COPYRIGHT REGAL BELOIT AMERICA, INC. ALL RIGHTS RESERVED. PROPRIETARY AND CONFIDENTIAL INFORMATION - THIS DOCUMENT IS THE PROPERTY OF REGAL BELOIT AMERICA, INC. (OWNER) AND CONTAINS OWNER'S PROPRIETARY INFORMATION. ANY PERSON, CORPORATION OR OTHER FIRM RECEIVING IT IS DEEMED, BY RECEIVING IT, TO AGREE THAT IT, AND/OR ANY PART OF IT, SHALL NOT BE DISCLOSED TO ANY PERSON, CORPORATION OR OTHER ENTITY, DUPLICATED, AND/OR USED, EXCEPT AS EXPRESSLY APPROVED IN WRITING IN ADVANCE BY OWNER. THIS DOCUMENT SHALL BE RETURNED TO OWNER UPON REQUEST. IT MAY BE SUBJECT TO CERTAIN RESTRICTIONS UNDER APPLICABLE EXPORT CONTROL LAWS AND REGULATIONS. | | |

TOLERANCES UNLESS OTHERWISE SPECIFIED:

| DEC. | INCH | mm | ANGLE |
|-------|---------|-----------|---------|
| .X | ±0.1 | [±2.5] | ±7° 30" |
| .XX | ±0.03 | [±0.76] | |
| .XXX | ±0.005 | [±0.127] | |
| .XXXX | ±0.0005 | [±0.0127] | |

REMOVE BURRS & BREAK SHARP EDGES: .003/.015 [0.076/.381] X 45°
 CORNER FILLETS: R.02 [51]
 MACHINED SURFACES: 200 INCH 5.1 mm SHOWN IN [BRACKETS]

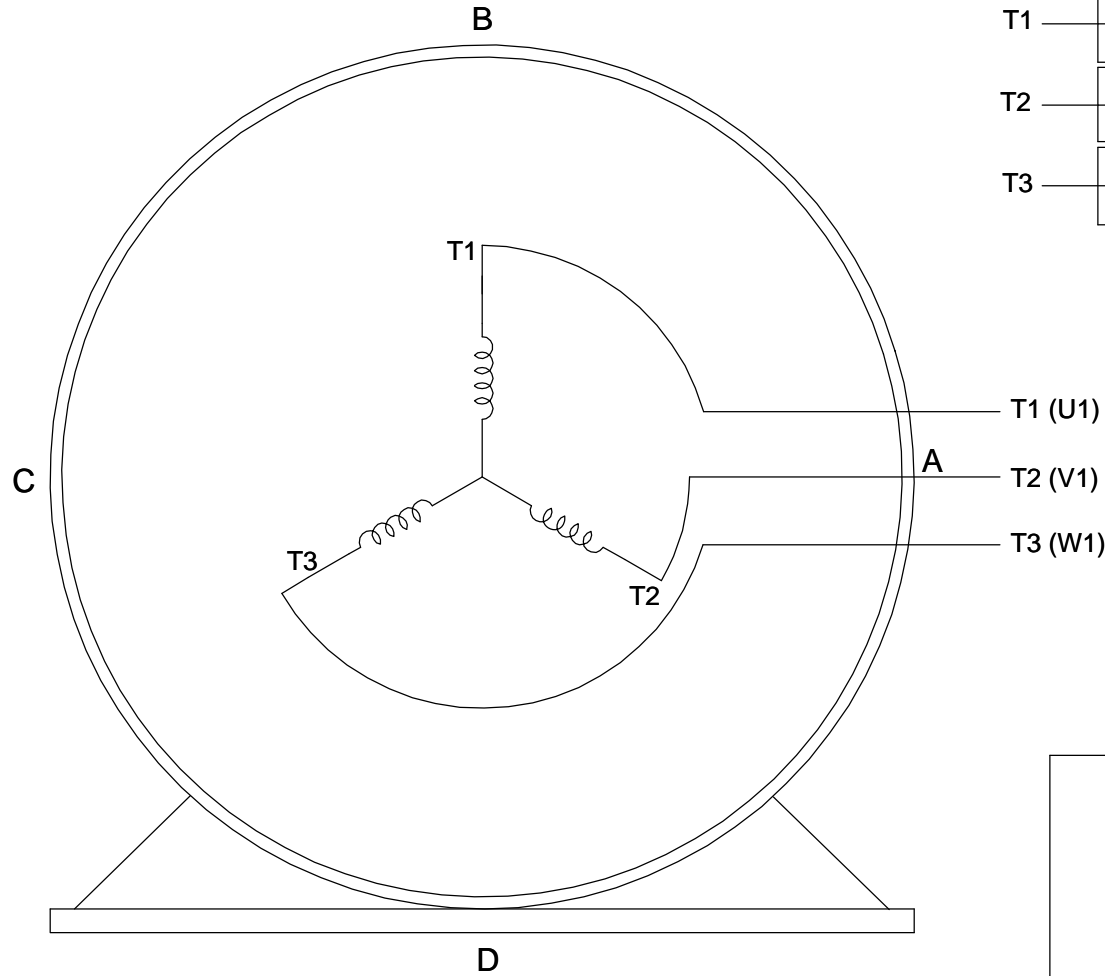
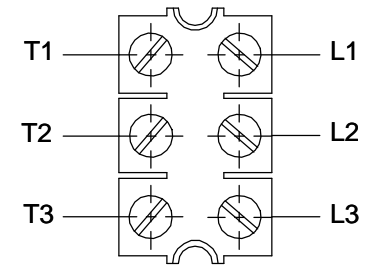
| |
|------------------------|
| DRAWN BY TVUE |
| DATE 12-18-2013 |
| APPROVED BY TBROWN |
| DATE 12-18-2013 |
| REFERENCE |
| THIRD ANGLE PROJECTION |

| | |
|--|-----------------------------------|
| REGAL ™ Regal Beloit America, Inc. | |
| DESCRIPTION OUTLINE 250T FR. - TEFC - BB - STD. | |
| MATERIAL | PROCESS/FINISH |
| SIZE B | DRAWING NUMBER SS203002 |
| | SHEET 1 OF 1 |

**THREE PHASE - SINGLE VOLTAGE
MOTOR - CONDUIT BOX @ 'A'**

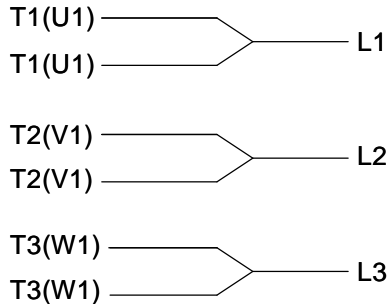
**TO REVERSE ROTATION:
INTERCHANGE ANY TWO
LINE LEAD CONNECTIONS.**

TERMINAL BLOCK WHEN SPECIFIED



VIEW OF TERMINAL END

**IF MOTOR HAS
6 LEADS**

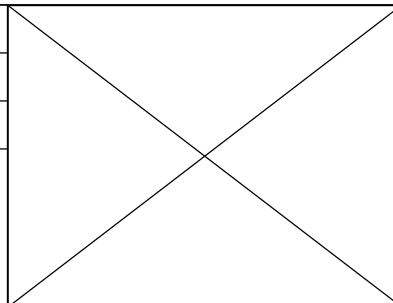


A-9806 DECAL

**OPTIONAL CORD
CONNECTION**



| | | |
|---|--------------------|--------------------|
| DRAWING REVISION AB | REVISION BY JJB | DATE 06-27-2017 |
| ECO ECO-0125361 | APPROVED BY TB | DATE 06-27-2017 |
| ECO DESCRIPTION UPDATED TO CURRENT STANDARDS | | |
| <small>COPYRIGHT REGAL BELOIT AMERICA, INC. ALL RIGHTS RESERVED. PROPRIETARY AND CONFIDENTIAL INFORMATION - THIS DOCUMENT IS THE PROPERTY OF REGAL BELOIT AMERICA, INC. ("OWNER") AND CONTAINS OWNER'S PROPRIETARY INFORMATION. ANY PERSON, CORPORATION OR OTHER FIRM RECEIVING IT IS DEEMED, BY RECEIVING IT, TO AGREE THAT IT, AND/OR ANY PART OF IT, SHALL NOT BE DISCLOSED TO ANY PERSON, CORPORATION OR OTHER ENTITY, DUPLICATED, AND/OR USED, EXCEPT AS EXPRESSLY APPROVED IN WRITING IN ADVANCE BY OWNER. THIS DOCUMENT SHALL BE RETURNED TO OWNER UPON REQUEST. IT MAY BE SUBJECT TO CERTAIN RESTRICTIONS UNDER APPLICABLE EXPORT CONTROL LAWS AND REGULATIONS.</small> | | |



| |
|---------------------------|
| DRAWN BY DA |
| DATE 03-26-1993 |
| APPROVED BY TB |
| DATE 03-26-1993 |
| REFERENCE |
| THIRD ANGLE PROJECTION |

| | |
|--|---------------------------------|
| Regal Beloit America, Inc. | |
| DESCRIPTION CONNECTION DIAGRAM EXTERNAL - SINGLE VOLTAGE - 3Ø MOTOR | |
| MATERIAL | PROCESS/FINISH |
| SIZE A | DRAWING NUMBER EE7300 |
| SHEET 1 OF 1 | |

CERTIFICATION DATA SHEET

Model#: 254THFNA9030 AB
CONN. DIAGRAM: A-EE7300
OUTLINE: B-SS203002-1050

WINDING#: K2564165 NONE 3
ASSEMBLY: F1/F2 CAPABLE

TYPICAL MOTOR PERFORMANCE DATA

| HP | KW | SYNC. RPM | F.L. RPM | FRAME | ENCLOSURE | KVA CODE | DESIGN |
|----|------|-----------|----------|-------|-----------|----------|--------|
| 15 | 11.2 | 1800 | 1775 | 254T | TEFC | G | B |

| PH | Hz | VOLTS | FL AMPS | START TYPE | DUTY | INSL | S.F | AMB°C | ELEVATION |
|----|----|-------|---------|------------------|------------|------|------|-------|-----------|
| 3 | 60 | 575 | 15 | LINE OR INVERTER | CONTINUOUS | F3 | 1.15 | 40 | 3300 |

| FULL LOAD EFF: 92.4 | 3/4 LOAD EFF: 92.4 | 1/2 LOAD EFF: 91 | GTD. EFF | ELEC. TYPE | NO LOAD AMPS |
|---------------------|--------------------|------------------|----------|-------------------|--------------|
| FULL LOAD PF: 81 | 3/4 LOAD PF: 78 | 1/2 LOAD PF: 68 | 91.7 | SQ CAGE INV RATED | 6.2 |

| F.L. TORQUE | LOCKED ROTOR AMPS | L.R. TORQUE | B.D. TORQUE | F.L. RISE°C |
|-------------|-------------------|--------------|---------------|-------------|
| 44.4 LB-FT | 88 | 85 LB-FT 191 | 125 LB-FT 282 | 55 |

| SOUND PRESSURE @ 3 FT. | SOUND POWER | ROTOR WK^2 | MAX. WK^2 | SAFE STALL TIME | STARTS /HOUR | APPROX. MOTOR WGT |
|------------------------|-------------|-------------|-------------|-----------------|--------------|-------------------|
| 65 dBA | 75 dBA | 2.4 LB-FT^2 | 110 LB-FT^2 | 25 SEC. | 2 | 325 LBS. |

***** SUPPLEMENTAL INFORMATION *****

| DE BRACKET TYPE | ODE BRACKET TYPE | MOUNT TYPE | ORIENTATION | SEVERE DUTY | HAZARDOUS LOCATION | DRIP COVER | SCREENS | PAINT |
|-----------------|------------------|------------|-------------|---------------------|--------------------|------------|---------|--------------|
| STANDARD | STANDARD | RIGID | HORIZONTAL | PREMIUM SEVERE DUTY | DIVISION 2 T2B | FALSE | NONE | BLUE (EPOXY) |

| BEARINGS | | GREASE | SHAFT TYPE | SPECIAL DE | SPECIAL ODE | SHAFT MATERIAL | FRAME MATERIAL |
|----------|------|------------|------------|------------|-------------|-------------------------|----------------|
| DE | OPE | | | | | | |
| BALL | BALL | POLYREX EM | T | NONE | NONE | 1045 HOT ROLLED (C-204) | CAST IRON |
| 6309 | 6210 | | | | | | |

| THERMO-PROTECTORS | | | | THERMISTORS | CONTROL | SPACE /n HEATERS |
|-------------------|------------|----------|----------|-------------|---------|------------------|
| THERMOSTATS | PROTECTORS | WDG RTDs | BRG RTDs | | | |
| NONE | NOT | NONE | NONE | NONE | FALSE | NONE VOLTS |

If Inverter equals NONE, contact factory for further information

| | |
|---------------------------------|---|
| * N O T E S * | INVERTER TORQUE: CONSTANT 10:1 |
| | INV. HP SPEED RANGE: NONE |
| | ENCODER: NONE NONE NONE NONE NONE PPR |
| | BRAKE: NONE NONE NONE P/N NONE NONE NONE NONE FT-LB NONE V NONE Hz |

DATE: 06/23/2017 01:25:22 AM
 FORM 3531 REV.3 02/07/99
 ** Subject to change without notice.

Data Sheet

Date: 19-06-2017
 Customer: _____
 Attention: _____
 Submitted by: FAREEDA DUDEKULA



254THFNA9030

Submittal

Data @ 575 V

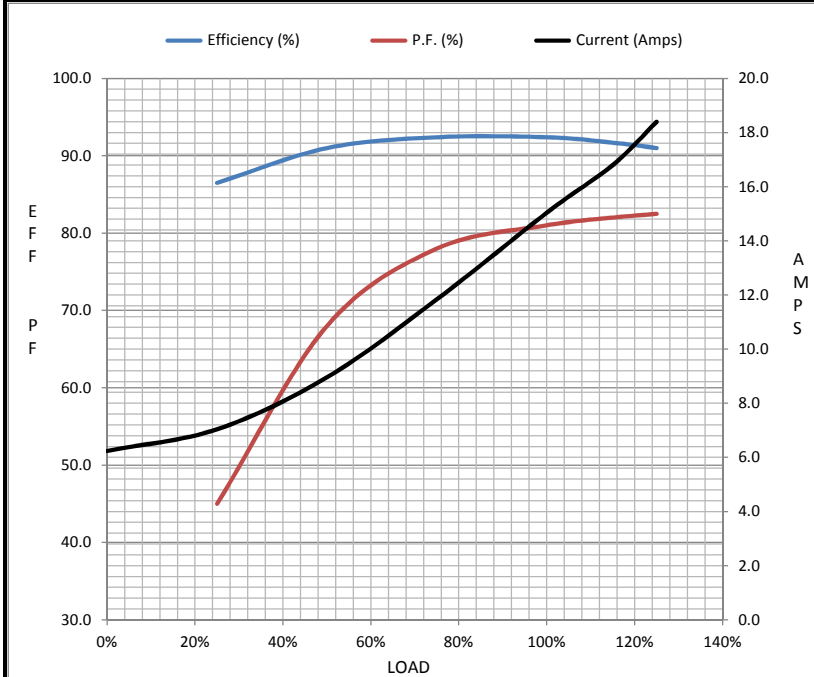
Motor Load Data

| Load | 0% | 25% | 50% | 75% | 100% | 115% | 125% | LR |
|----------------|------|------|------|------|------|-------|------|------|
| Current (Amps) | 6.2 | 7.0 | 9.0 | 11.8 | 15.0 | 16.8 | 18.4 | 88.0 |
| Torque (ft-lb) | 0.00 | 11.0 | 22.0 | 33.5 | 44.4 | 50.5 | 56.0 | 85.0 |
| RPM | 1800 | 1792 | 1788 | 1780 | 1775 | 1,770 | 1765 | 0 |
| Efficiency (%) | | 86.5 | 91.0 | 92.4 | 92.4 | 91.7 | 91.0 | |
| P.F. (%) | 11.5 | 45.0 | 68.0 | 78.0 | 81.0 | 82.0 | 82.5 | 40.0 |

Motor Speed Data

| | LR | Pull-Up | BD | Rated | Idle |
|----------------|------|---------|------|-------|------|
| Speed (RPM) | 0 | 900 | 1675 | 1775 | 1800 |
| Current (Amps) | 88.0 | 76.0 | 55.2 | 15.0 | 6.2 |
| Torque (ft-lb) | 85.0 | 75.0 | 125 | 44.4 | 0.00 |

| Information Block | | | | |
|-----------------------------|-------------------------|--------|--------|---------|
| HP | 15.0 | | | |
| Sync. RPM | 1800 | | | |
| Frame | 254 | | | |
| Enclosure | TEFC | | | |
| Construction | TFN | | | |
| Voltage | 575 V | | | |
| Frequency | 60 Hz | | | |
| Design | B | | | |
| LR Code letter | G | | | |
| Service Factor | 1.15 | | | |
| Temp Rise @ FL | 55 °C | | | |
| Duty | CONT | | | |
| Ambient | 40 °C | | | |
| Elevation | 1,000 feet | | | |
| Rotor/Shaft wk ² | 2.40 Lb-Ft ² | | | |
| Ref Wdg | K2564165 NONE | | | |
| Sound Pressure @ 1M | 65 dBA | | | |
| VFD Rating | CONSTANT 10:1 | | | |
| Outline Dwg | B-SS203002-1050 | | | |
| Conn. Diag | A-EE7300 | | | |
| Additional Specifications: | | | | |
| 0 | | | | |
| 365THFS8036 | | | | |
| EQUIV CKT (OHMS / PHASE) | | | | |
| R1 | R2 | X1 | X2 | Xm |
| 0.5880 | 0.3720 | 2.1110 | 2.7760 | 50.7940 |



Speed - Torque Curve

