

PRODUCT INFORMATION PACKET

Model No: 254THFCD19065

Catalog No: W546A-P

XRI®-841 Severe Duty Motor, 15 HP, 3 Ph, 60 Hz, 460 V, 1800 RPM, 254T Frame, TEFC



Regal and Marathon are trademarks of Regal Rexnord Corporation or one of its affiliated companies.

©2024 Regal Rexnord Corporation, All Rights Reserved. MC017097E

Nameplate Specifications

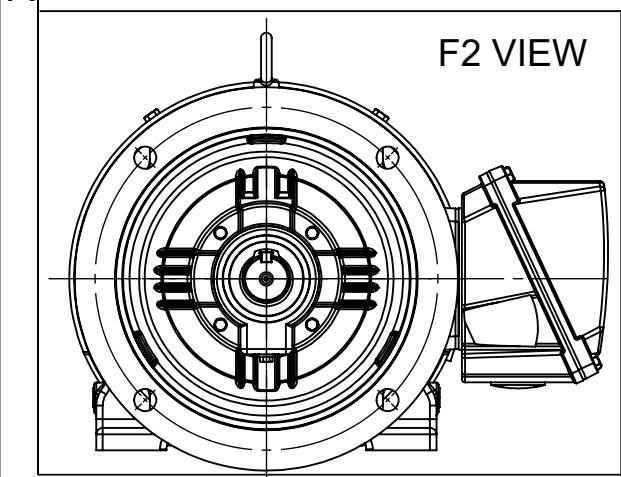
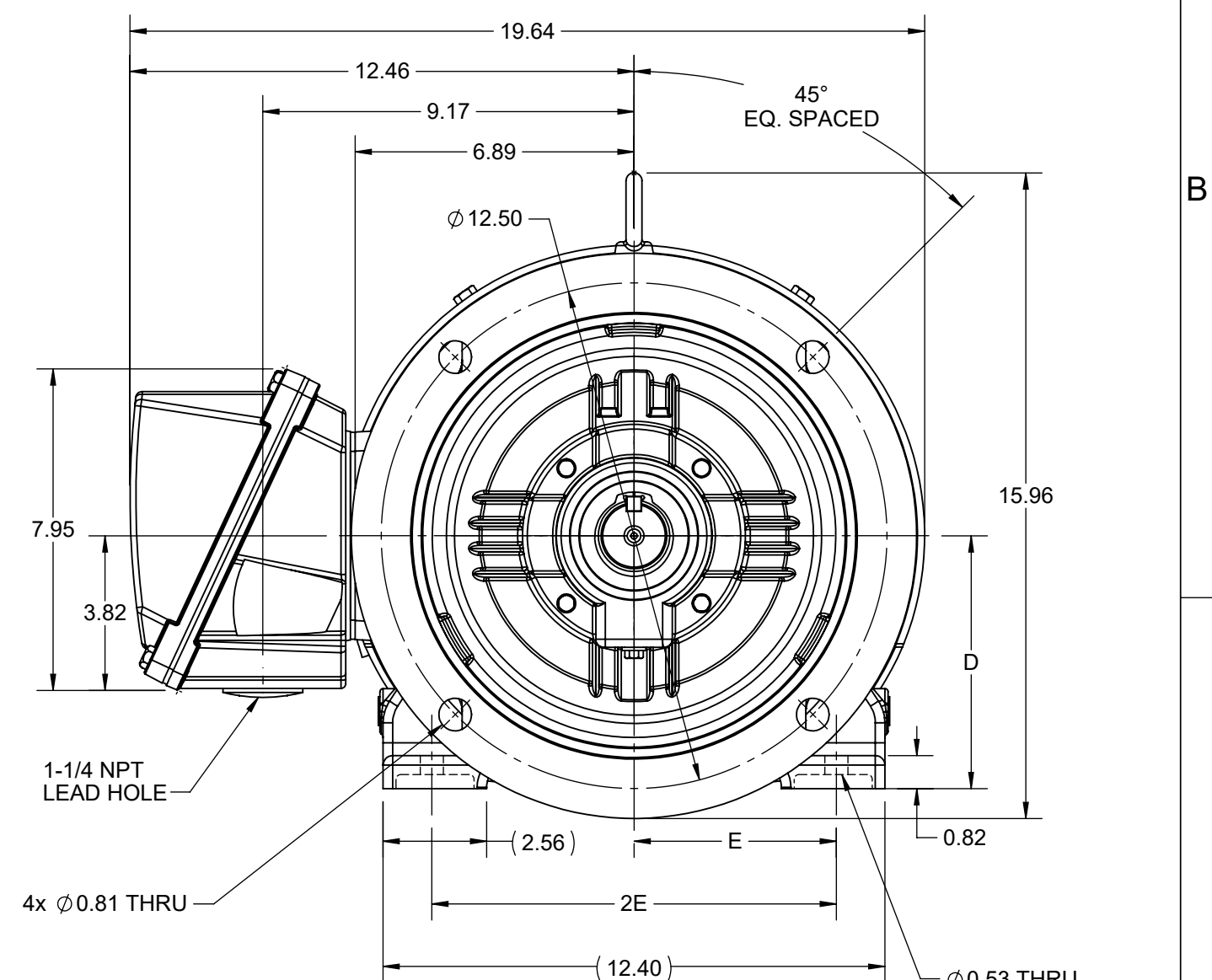
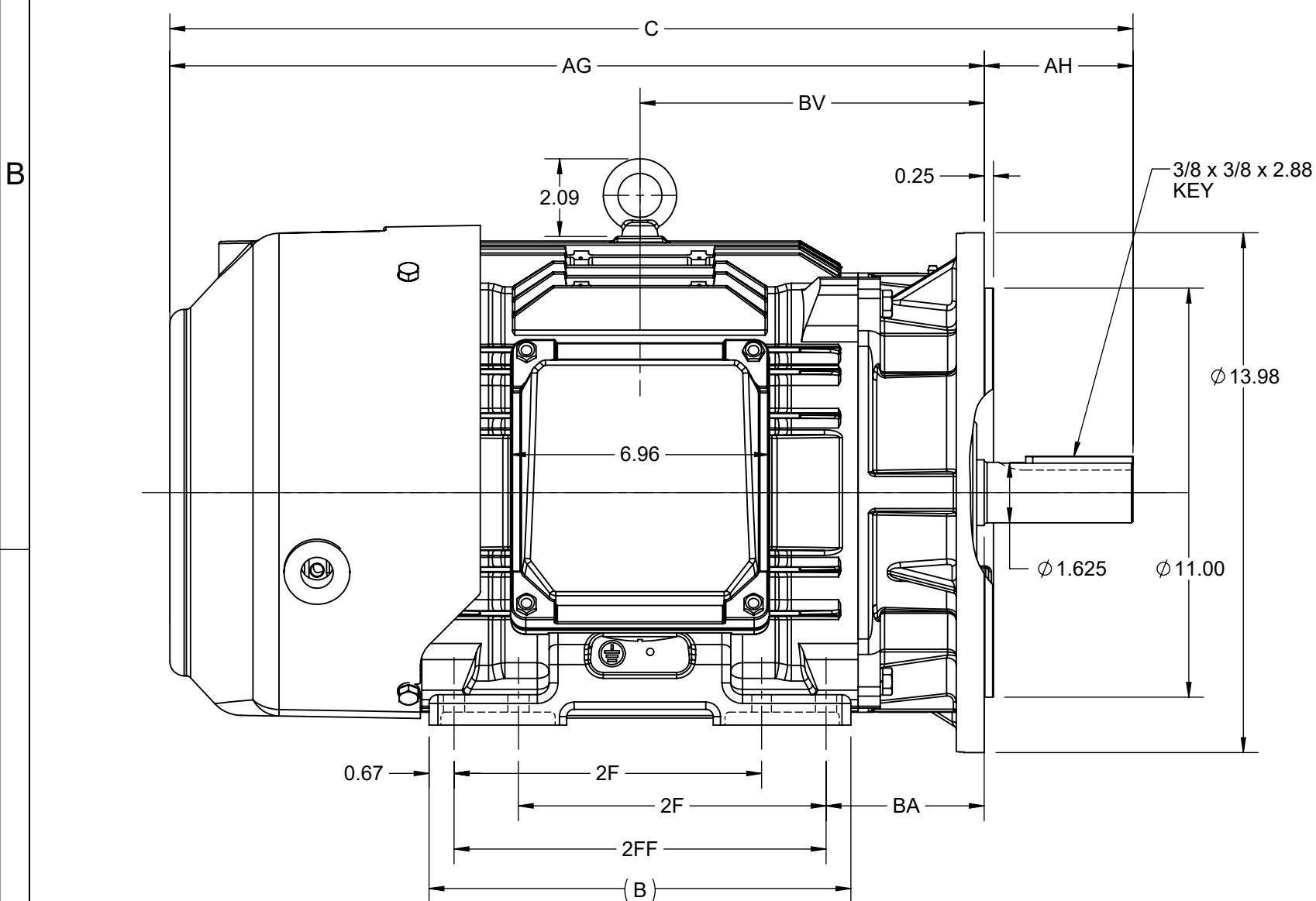
Phase	3	Output HP	15 Hp
Output KW	11.2 kW	Voltage	460 V
Speed	1770 rpm	Service Factor	1.15
Frame	254T	Enclosure	Totally Enclosed Fan Cooled
Thermal Protection	No Protection	Efficiency	92.4 %
Ambient Temperature	40 °C	Frequency	60 Hz
Current	18.4 A	Power Factor	83
Duty	Continuous	Insulation Class	H
Design Code	B	KVA Code	G
Drive End Bearing Size	6309	Opp Drive End Bearing Size	6209
UL	Recognized	CSA	Y
CE	Y	IP Code	56
Number of Speeds	1		

Technical Specifications

Electrical Type	Squirrel Cage Inverter Rated	Starting Method	Line Or Inverter
Poles	4	Rotation	Reversible
Resistance Main	.713 Ohms	Mounting	Rigid Base
Motor Orientation	Horizontal	Drive End Bearing	Ball
Opp Drive End Bearing	Ball	Frame Material	Cast Iron
Shaft Type	T	Shaft Diameter	1.625 in
Assembly/Box Mounting	F1/F2 CAPABLE	Inverter Load	CONSTANT 10:1/VARIABLE 10:1
Connection Drawing	EE7300	Outline Drawing	SS208560-100

This is an uncontrolled document once printed or downloaded and is subject to change without notice. Date Created:11/05/2024

DASH NO.	B	C	D	E	2E	2F	2FF	AG	AH	BA	BV	MOUNTING	FRAME
100	9.60	24.16	6.25	5.00	10.00	-	8.25	20.16	4.00	4.25	8.39	F1 OR F2	254TD
200	11.34	25.89				8.25	10.00	21.89			9.25		254/256TD



DRAWING REVISION A	REVISION BY RAM	REV DATE/© DATE 29/06/2022
REQUEST NUMBER CR-0009883	APPROVED BY SBD	DATE 29/06/2022
REQUEST NUMBER DESCRIPTION NEW DRAWING RELEASE		
<small>COPYRIGHT (PER REVISION DATE) REGAL BELOIT AMERICA, INC. ALL RIGHTS RESERVED. PROPRIETARY AND CONFIDENTIAL INFORMATION - THIS DOCUMENT IS THE PROPERTY OF REGAL BELOIT AMERICA, INC. ("OWNER") AND CONTAINS OWNER'S PROPRIETARY INFORMATION. ANY PERSON, CORPORATION OR OTHER FIRM RECEIVING IT IS DEEMED, BY RECEIVING IT, TO AGREE THAT IT, AND/OR ANY PART OF IT, SHALL NOT BE DISCLOSED TO ANY PERSON, CORPORATION OR OTHER ENTITY, DUPLICATED, AND/OR USED, EXCEPT AS EXPRESSLY APPROVED IN WRITING IN ADVANCE BY OWNER. THIS DOCUMENT SHALL BE RETURNED TO OWNER UPON REQUEST. IT MAY BE SUBJECT TO CERTAIN RESTRICTIONS UNDER APPLICABLE EXPORT CONTROL LAWS AND REGULATIONS.</small>		

PRIMARY DIMENSIONS ARE INCH
mm DIMENSIONS IN [BRACKETS]
ARE FOR REFERENCE ONLY

DRAWN BY RAM	 Regal Beloit America, Inc.
DATE 29/06/2022	
APPROVED BY SBD	DESCRIPTION OUTLINE 254/256TD FR NEMA SD & IEEE841 D-FLANGE KIT
DATE 29/06/2022	MATERIAL PROCESS/FINISH
REFERENCE SS208560	SIZE B
THIRD ANGLE PROJECTION	DRAWING NUMBER SS208560B
	SHEET 1 OF 1

THREE PHASE - SINGLE VOLTAGE
MOTOR - CONDUIT BOX @ 'A'

TERMINAL BLOCK WHEN SPECIFIED

TO REVERSE ROTATION:
INTERCHANGE ANY TWO LINE
LEAD CONNECTIONS



VIEW OF TERMINAL END

OPTIONAL CORD CONNECTION

L1	WHITE
L2	RED
L3	BLACK

DRAWING REVISION AC	REVISION BY BS	REV DATE/© DATE 26/07/2022
REQUEST NUMBER CR-0010402	APPROVED BY SN	DATE 26/07/2022
REQUEST NUMBER DESCRIPTION DRAWING UPDATED		
<small>COPYRIGHT (PER REVISION DATE) REGAL BELOIT AMERICA, INC. ALL RIGHTS RESERVED. PROPRIETARY AND CONFIDENTIAL INFORMATION - THIS DOCUMENT IS THE PROPERTY OF REGAL BELOIT AMERICA, INC. ("OWNER") AND CONTAINS OWNER'S PROPRIETARY INFORMATION. ANY PERSON, CORPORATION OR OTHER FIRM RECEIVING IT IS DEEMED, BY RECEIVING IT, TO AGREE THAT IT, AND/OR ANY PART OF IT, SHALL NOT BE DISCLOSED TO ANY PERSON, CORPORATION OR OTHER ENTITY, DUPLICATED, AND/OR USED, EXCEPT AS EXPRESSLY APPROVED IN WRITING IN ADVANCE BY OWNER. THIS DOCUMENT SHALL BE RETURNED TO OWNER UPON REQUEST. IT MAY BE SUBJECT TO CERTAIN RESTRICTIONS UNDER APPLICABLE EXPORT CONTROL LAWS AND REGULATIONS.</small>		

PRIMARY DIMENSIONS ARE INCH
mm DIMENSIONS IN [BRACKETS]
ARE FOR REFERENCE ONLY

DRAWN BY DA
DATE 03-26-1993
APPROVED BY TB
DATE 03-26-1993
REFERENCE
THIRD ANGLE PROJECTION

		Regal Beloit America, Inc.	
DESCRIPTION CONNECTION DIAGRAM EXTERNAL - SINGLE VOLTAGE - 3Ø MOTOR			
MATERIAL		PROCESS/FINISH	
SIZE A	DRAWING NUMBER EE7300		SHEET 1 OF 1



DATA VOLTS: 460

CERTIFICATION DATA SHEET

CONN. DIAGRAM: EE7300
 REFERENCE MODEL #: 254THFCD19065
 OUTLINE: SS208560
 CAT #: W546A-P
 WINDING: HA31604019 NONE 7
 MOUNTING: F1/F2 CAPABLE

TYPICAL MOTOR PERFORMANCE DATA

HP	KW	SYNC RPM	FL RPM	FRAME	ENCLOSURE	TYPE	KVA CODE	DESIGN																								
15	11.2	1800	1772	254T	TEFC	TFC	G	B																								
PH	HZ	VOLTS	AMPS	START TYPE	DUTY	INSL	S.F.	AMB (° C)	ELEV. (Ft)																							
3	60	460	18.8	LINE OR INVERTER	CONT	H	1.15	40	3300																							
F.L. EFF		92.4	3/4 LD EFF		92.4	1/2 LD EFF		91.7	GTD EFF		91.7	ELECT. TYPE																				
F.L. PF		82.0	3/4 LD PF		76.5	1/2 LD PF		65.5	65.5	91.7	SQ CAGE INV RATED																					
F.L. TORQUE		44.5	LR AMPS		113	L.R. TORQUE		91.0	LB-FT		204%	B.D. TORQUE		118	LB-FT		265%	F.L. RISE (° C)		50												
SOUND PRESSURE		65	SOUND		74	ROTOR WK²		2.40	LB-FT²		110	MAX. LOAD WK²		110	LB-FT²		110	SAFE STALL TIME		20	SEC.		2	STARTS/HOUR		2	APROX.		310	LB.		310
*** SUPPLEMENTAL INFORMATION ***																																
DE BRACKET TYPE		STANDARD	ODE BRACKET TYPE		STANDARD	MOUNT TYPE		RIGID	MOTOR ORIENTATION		HORIZONTAL	SEVERE DUTY		PREMIUM SEVERE DUTY	HAZARDOUS LOCATION		NONE	DRIP COVER		NO	SCREENS		NONE	PAINT		BLUE (EPOXY)						
BEARINGS		GREASE		POLYREX EM		SHAFT TYPE		T		SPECIAL DE		NONE		SPECIAL ODE		NONE		SHAFT MATERIAL		1045 HOT ROLLED (C-204)		FRAME MATERIAL		CAST IRON								
THERMOSTATS		NONE		PROTECTORS		NOT		WDG RTD's		NONE		BRG RTD's		NONE		THERMISTORS		NONE		CONTROL		FALSE		SPACE HEATERS		NA						
R1 (ohms/ph)		0.44		R2 (ohms/ph)		0.244		X1 (ohms/ph)		1.304		X2 (ohms/ph)		1.467		Xm (ohms/ph)		31.563		VIBRATION (in/sec)		0.080										
* N O T E S *	If Inverter equals NONE, contact factory for further information INVERTER TORQUE: CONSTANT 10:1/VARIABLE 10:1 INV. HP SPEED RANGE: NONE																															
	ENCODER: NONE																															
	NONE																															
	NONE PPR																															
PREPARED BY:																																
DATE:		5/13/2020																														
FORM: 3531 REV_4 2/27/06																																
** Subject to change without notice.																																
		BRAKE: NONE		NONE		NONE		NONE		NONE		NONE		NONE		NONE		NONE		NONE		NONE		NONE		NONE		NONE				
		FT-LB:		NA		NA		NA		NA		NA		NA		NA		NA		NA		NA		NA		NA		NA				
		VOLTAGE:		NONE		NONE		NONE		NONE		NONE		NONE		NONE		NONE		NONE		NONE		NONE		NONE		NONE				

Data Sheet

Date: 5/6/2020
 Customer: _____
 Attention: _____
 Submitted by: _____



254THFCD19065

Submittal

Data @ 460 V

Motor Load Data

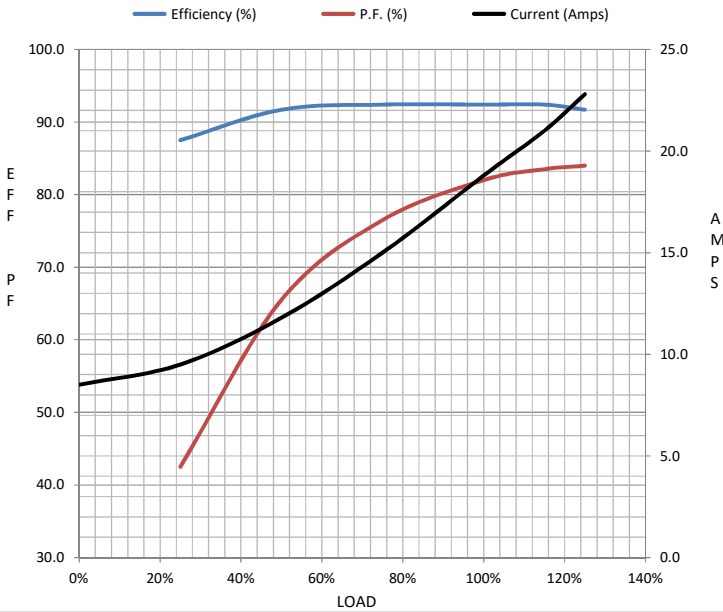
Load	0%	25%	50%	75%	100%	115%	125%	LR
Current (Amps)	8.5	9.5	11.8	15.0	18.8	21.0	22.8	113
Torque (ft-lb)	0.00	11.0	22.0	33.5	44.5	51.5	56.0	91.0
RPM	1800	1792	1785	1780	1772	1,768	1762	0
Efficiency (%)		87.5	91.7	92.4	92.4	92.4	91.7	
P.F. (%)	5.0	42.5	65.5	76.5	82.0	83.5	84.0	41.0

Motor Speed Data

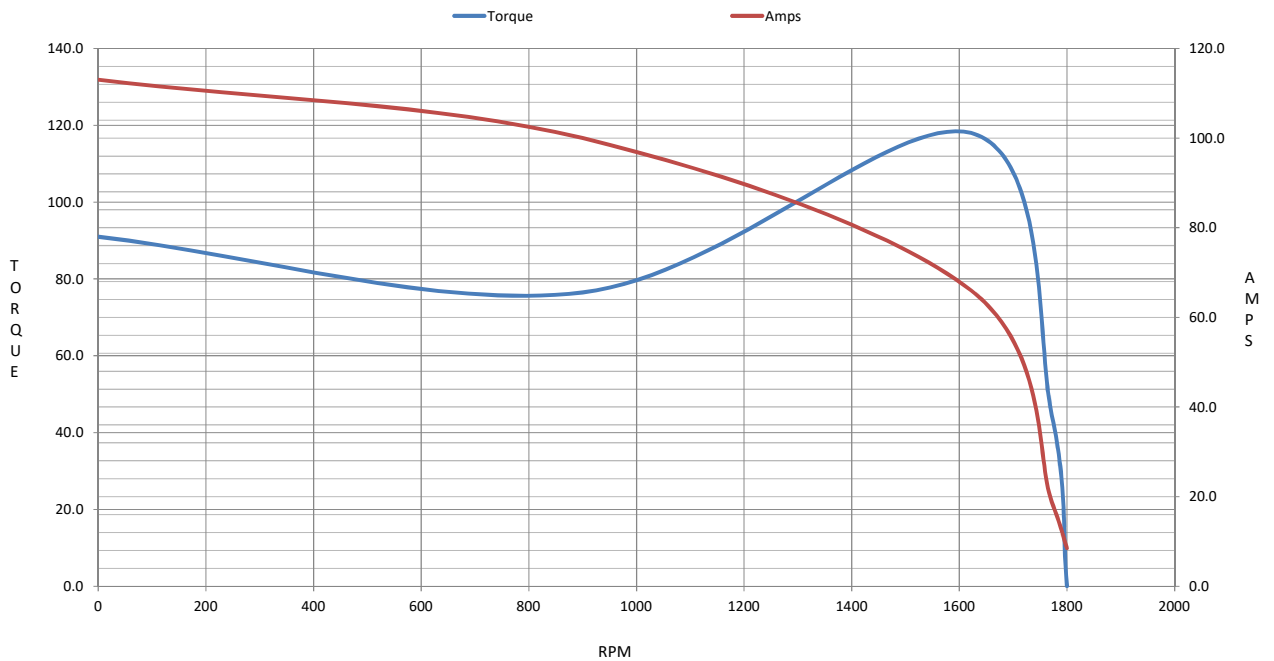
	LR	Pull-Up	BD	Rated	Idle
Speed (RPM)	0	900	1622	1772	1800
Current (Amps)	113	100	66.0	18.8	8.5
Torque (ft-lb)	91.0	76.5	118	44.5	0.00

Information Block

HP	15.0			
Sync. RPM	1800			
Frame	254			
Enclosure	TEFC			
Construction	TFC			
Voltage	460 V			
Frequency	60 Hz			
Design	B			
LR Code letter	G			
Service Factor	1.15			
Temp Rise @ FL	50 °C			
Duty	CONT			
Ambient	40 °C			
Elevation	3,300 feet			
Rotor/Shaft wk ²	2.40 Lb-Ft ²			
Ref Wdg	HA31604019 NONE			
Sound Pressure @ 1M	65 dBA			
VFD Rating	CONSTANT 10:1/VARIABLE 10:1			
Outline Dwg	SS208560			
Conn. Diag	EE7300			
Additional Specifications:				
0				
0				
EQUIV CKT (OHMS / PHASE)				
R1	R2	X1	X2	Xm
0.4400	0.2440	1.3040	1.4670	31.5630



Speed -Torque Curve



EC Declaration of Conformity

The undersigned representing
the manufacturer:

Regal Beloit America
100 East Randolph St.
Wausau, WI 54401

and the authorized representative
established within the Community:

Marathon Electric UK
6F Thistleton Road Ind. Estate
Market Overton
Oakham, Rutland LE15 7PP UK

are committed to providing customers with products that comply with applicable regulations and international protocols to which they are subject, including the requirements of the European Parliament Directive on the Harmonization of the laws relating to electrical equipment designed for use within certain voltage limits (2014/35/EU).

Regal Beloit America declares that the following product(s), to which this declaration relates, are in conformity with the relevant sections of the EC standards listed below.

This statement supersedes any statements previously issued pertaining to the product(s) listed below and is subject to change without notice.

Model No : 254THFCD19065

(Model No. may contain prefix and/or suffix characters)

Catalog No : W546A-P

Rework No : N/A

Directives :

Low Voltage Directive 2014/35/EU

Harmonized Standards Used :

EN 60034-1: 2010 (IEC 60034-1: 2010)

EN 60034-5: 2001/A1:2007 (IEC 60034-5: 2000/A1:2006)

Authorized Representative:



Michael A. Logsdon
Vice President, Technology

Authorized Representative in the Community:



Julian Clark
Marketing Engineer

Created on 09/01/2022

CE 22