

# PRODUCT INFORMATION PACKET

Model No: 215VTDC6026

Catalog No: V110A

Vertical Pump Motor, 10 & 7.5 HP, 3 Ph, 60 & 50 Hz, 230/460 & 190/380 V, 1800 & 1500 RPM,  
215TPV Frame, WPI



Regal and Marathon are trademarks of Regal Rexnord Corporation or one of its affiliated companies.

©2023 Regal Rexnord Corporation, All Rights Reserved. MC017097E



**Nameplate Specifications**

Phase	<b>3</b>	Output HP	<b>10 &amp; 7.5 Hp</b>
Output KW	<b>7.5 &amp; 5.6 kW</b>	Voltage	<b>230/460 &amp; 190/380 V</b>
Speed	<b>1755 &amp; 1460 rpm</b>	Service Factor	<b>1.15 &amp; 1.15</b>
Frame	<b>215TPV</b>	Enclosure	<b>Weather Protected 1</b>
Thermal Protection	<b>No Protection</b>	Efficiency	<b>91.7 &amp; 90.2 %</b>
Ambient Temperature	<b>40 °C</b>	Frequency	<b>60 &amp; 50 Hz</b>
Current	<b>25/12.5 &amp; 23.2/11.6 A</b>	Power Factor	<b>82</b>
Duty	<b>Continuous</b>	Insulation Class	<b>F</b>
Design Code	<b>B</b>	KVA Code	<b>H</b>
Drive End Bearing Size	<b>6209</b>	Opp Drive End Bearing Size	<b>7309B</b>
UL	<b>Recognized</b>	CSA	<b>Y</b>
CE	<b>Y</b>	IP Code	<b>23</b>
Number of Speeds	<b>1</b>		

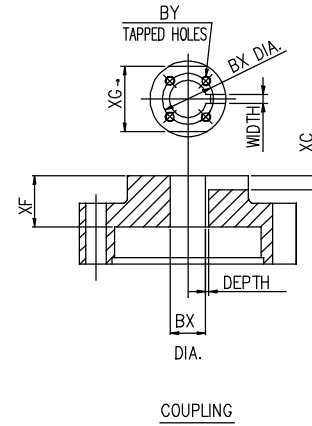
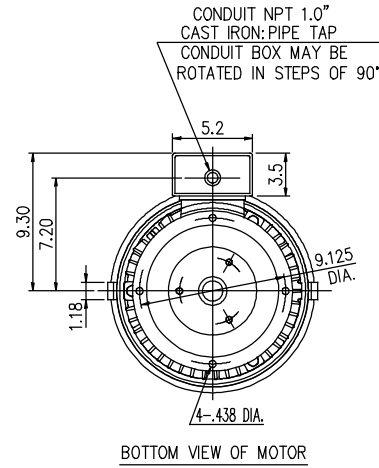
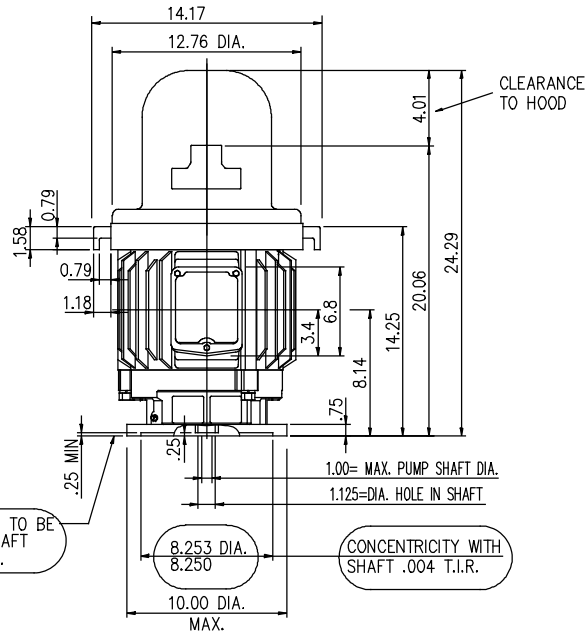
**Technical Specifications**

Electrical Type	<b>Squirrel Cage Inverter Rated</b>	Starting Method	<b>Part Wdg Start Low Volt Only &amp; Wye Start Delta Run Or Inverter</b>
Poles	<b>4</b>	Rotation	<b>Counterclockwise Rotation, Reversible without Non-Reversible Ratchet</b>
Mounting	<b>Round</b>	Motor Orientation	<b>Shaft Down</b>
Drive End Bearing	<b>Ball</b>	Opp Drive End Bearing	<b>Single Angular Contact</b>
Frame Material	<b>Cast Iron</b>	Shaft Type	<b>TP</b>
Overall Length	<b>24.29 in</b>	Shaft Diameter	<b>1.125 in</b>
Shaft Extension	<b>0.25 in</b>	Assembly/Box Mounting	<b>F1/F2 CAPABLE</b>
Inverter Load	<b>VARIABLE 3:1</b>		
Outline Drawing	<b>SS620833</b>	Connection Drawing	<b>EE7308DX</b>



COUPLING	BX DIA.	KEYWAY		BY	BZ	XF	XC
		WIDE	DEEP				
	1.001	0.250	0.140	10-32UNF	1.375	1.650	0.430
	0.751	N/A	N/A	N/A	N/A	N/A	N/A

SS620833



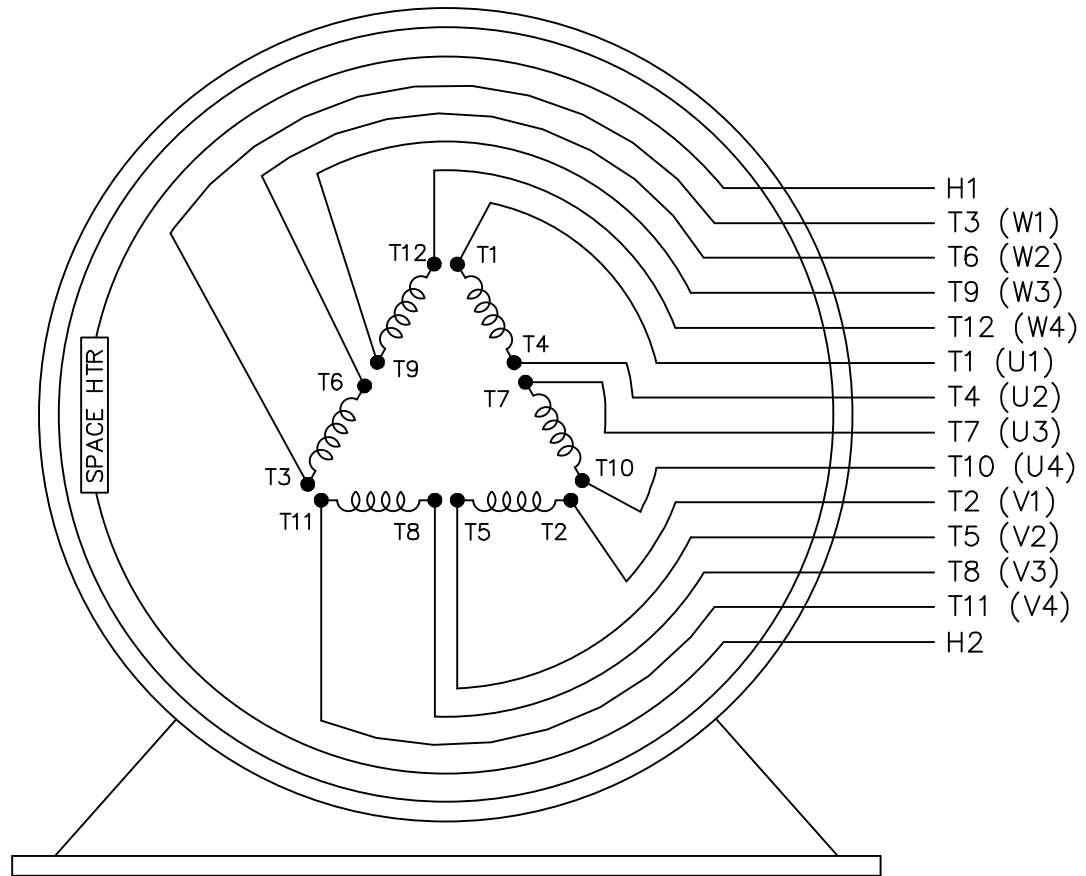
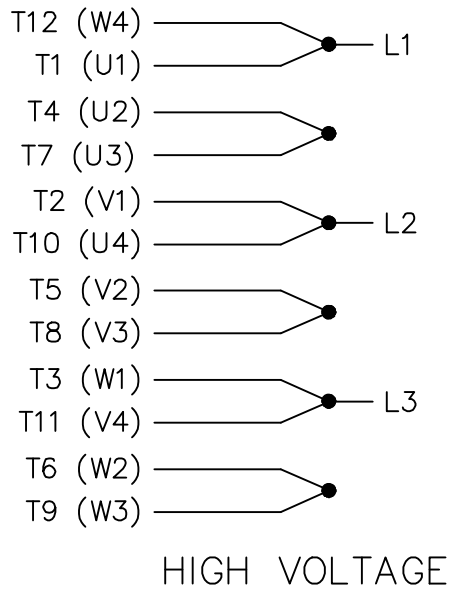
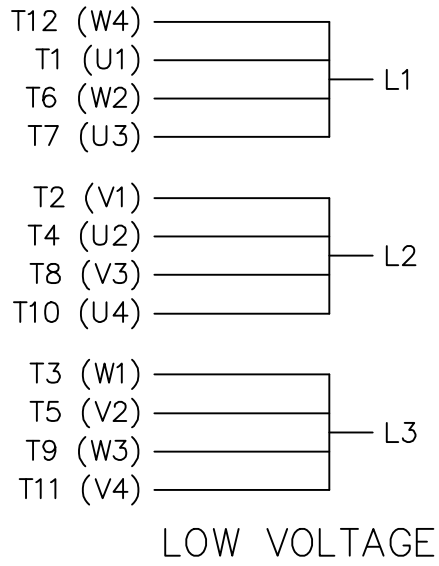
FACE OF FLANGE TO BE SQUARE WITH SHAFT WITHIN .004 T.I.R.

CONCENTRICITY WITH SHAFT .004 T.I.R.

- (1) DIMENSIONS ARE IN INCHES
- (2) APPROXIMATE WEIGHT = 200 LBS
- (3) DRIVE END BEARING 6209
- OPPOSITE DRIVE END BEARING 7309B

(4) END OF LINE TESTS - SPECIFIC TO EACH RATING  
 \*NO LOAD AMPS @ FULL VOLTAGE  
 \*NO LOAD WATTS @ FULL VOLTAGE  
 \*VIBRATION MEETS MG-1 STANDARD  
 BALANCE 0.15 IN/S 3.8 MM/S

				TOLERANCES UNLESS SPECIFIED		REGAL REGAL-BELOIT CORPORATION		DRAWN		
				DEC.	INCHES			CHK		
				X	±.1			APPD		
C	UPDATED PER MARK-UPS	ECD-0151417	VGJ 9-7-2018	AL	XX	±.03	TITLE	OUTLINE		
B	RE-PUBLISHED	ECD-0125813	VGJ 9-21-2017	EMH	XXX	±.005	213/215TP10 FRAME			
A	RELEASED	ECD-0125213	VGJ 6-13-2017	AL	XXXX	±.0005	MAT'L.	SCALE		
NO.	REVISION		BY & DATE	CHK	ANG	±7°30'	FINISH	PREV		
THIS DRAWING IN DESIGN AND DETAIL IS OUR PROPERTY AND MUST NOT BE USED EXCEPT IN CONNECTION WITH OUR WORK. ALL RIGHTS OF DESIGN AND INVENTION ARE RESERVED. THIS IS AN ELECTRONICALLY GENERATED DOCUMENT - DO NOT SCALE THIS PRINT.				RFP			CAD FILE	SIZE	DRAWING NO.	REV.
				DIST			B	SS620833	C	



VIEW OF TERMINAL END

				TOLERANCES UNLESS SPECIFIED		MARATHON ELECTRIC	DRAWN KL 02-05-1999			
				DEC.	INCHES		CHK DJK 02-05-1999			
				.X	± -	TITLE CONNECTION DIAGRAM 12 LEADS - 3 PHASE - 2/1 DELTA	APPD DJK 02-05-1999	SCALE 1=1		
2	ADDED IEC MARKINGS	MU110339	MSG 10-15-2012	SJW .XXX	± -		REF			
1	NEW DRAWING	MU23624	KL 02-05-1999	DJK .XXXX	± -	MAT'L.	FMF	MU23624		
NO.	REVISION	BY & DATE	CHK	ANG	± -	FINISH	PREV			
THIS DRAWING IN DESIGN AND DETAIL IS OUR PROPERTY AND MUST NOT BE USED EXCEPT IN CONNECTION WITH OUR WORK ALL RIGHTS OF DESIGN AND INVENTION ARE RESERVED THIS IS AN ELECTRONICALLY GENERATED DOCUMENT - DO NOT SCALE THIS PRINT				RFP	02-05-1999	CAD FILE EE7308DX	SIZE A	DRAWING NO. EE7308DX	PAGE OF 2	REV. 2
				DIST						

**CERTIFICATION DATA SHEET**

**P.O. BOX 8003  
 WAUSAU, WI 54401-8003  
 PH. 715-675-3311**

**CONN. DIAGRAM:** EE7308DX

**MODEL #:** 215VTDC6026 AA

**OUTLINE:** SS620833

**MOUNTING:** F1/F2 CAPABLE

**WINDING #:** TPE2154001 1

**TYPICAL MOTOR PERFORMANCE DATA**

HP	kW	SYNC. RPM	F.L. RPM	FRAME	ENCLOSURE	KVA CODE	DESIGN
10&7 1/2	7.50&5.60	1800	1755&1460	215TPV	WPI	H	B

PH	Hz	VOLTS	AMPS	START TYPE	DUTY	INSL	S.F.	AMB° C
3	60/50	230/460&190/380	25/12.5&23.2/11.6	PWS (LV ONLY) & YDRUN OR INV	CONTINUOUS	F	1.15/1.15	40

FULL LOAD EFF:	91.7&90.2	3/4 LOAD EFF:	91.7	1/2 LOAD EFF:	91	GTD. EFF	ELEC. TYPE
FULL LOAD PF:	82&81	3/4 LOAD PF:	79.5	1/2 LOAD PF:	70.5	90.2	SQ CAGE INV RATED

F.L. TORQUE	LOCKED ROTOR AMPS	L.R. TORQUE	B.D. TORQUE	F.L. RISE°C
29.9 LB-FT	164 / 82	70 LB-FT 235 %	85 LB-FT 285 %	48

SOUND PRESSURE @ 3 FT.	SOUND POWER	ROTOR WK^2	MAX. WK^2	SAFE STALL TIME	STARTS / HOUR	APPROX. MOTOR WGT
67 dBA	77 dBA	1.1 LB-FT^2	147 LB-FT^2	12 SEC.	2	215 LBS.

**\*\*\* SUPPLEMENTAL INFORMATION \*\*\***

DE BRACKET TYPE	ODE BRACKET TYPE	MOUNT TYPE	ORIENTATION	SEVERE DUTY	HAZARDOUS LOCATION	DRIP COVER	SCREENS	PAINT
P-BASE-10	STANDARD	ROUND	SHAFT DOWN	FALSE	NONE	TRUE	RODENT	BLUE (ENAMEL)

BEARINGS		GREASE	SHAFT TYPE	SPECIAL DE	SPECIAL ODE	SHAFT MATERIAL	FRAME MATERIAL
DE	ODE						
BALL	SINGLE ANGULAR CONTACT	POLYREX EM	TP	NONE	NONE	1045 HOT ROLLED (C-204)	CAST IRON
6209	7309B						

THERMO-PROTECTORS				THERMISTORS	CONTROL	SPACE HEATERS
THERMOSTATS	PROTECTORS	WDG RTDs	BRG RTDs			
NONE	NOT	NONE	NONE	NONE	FALSE	110 VOLTS

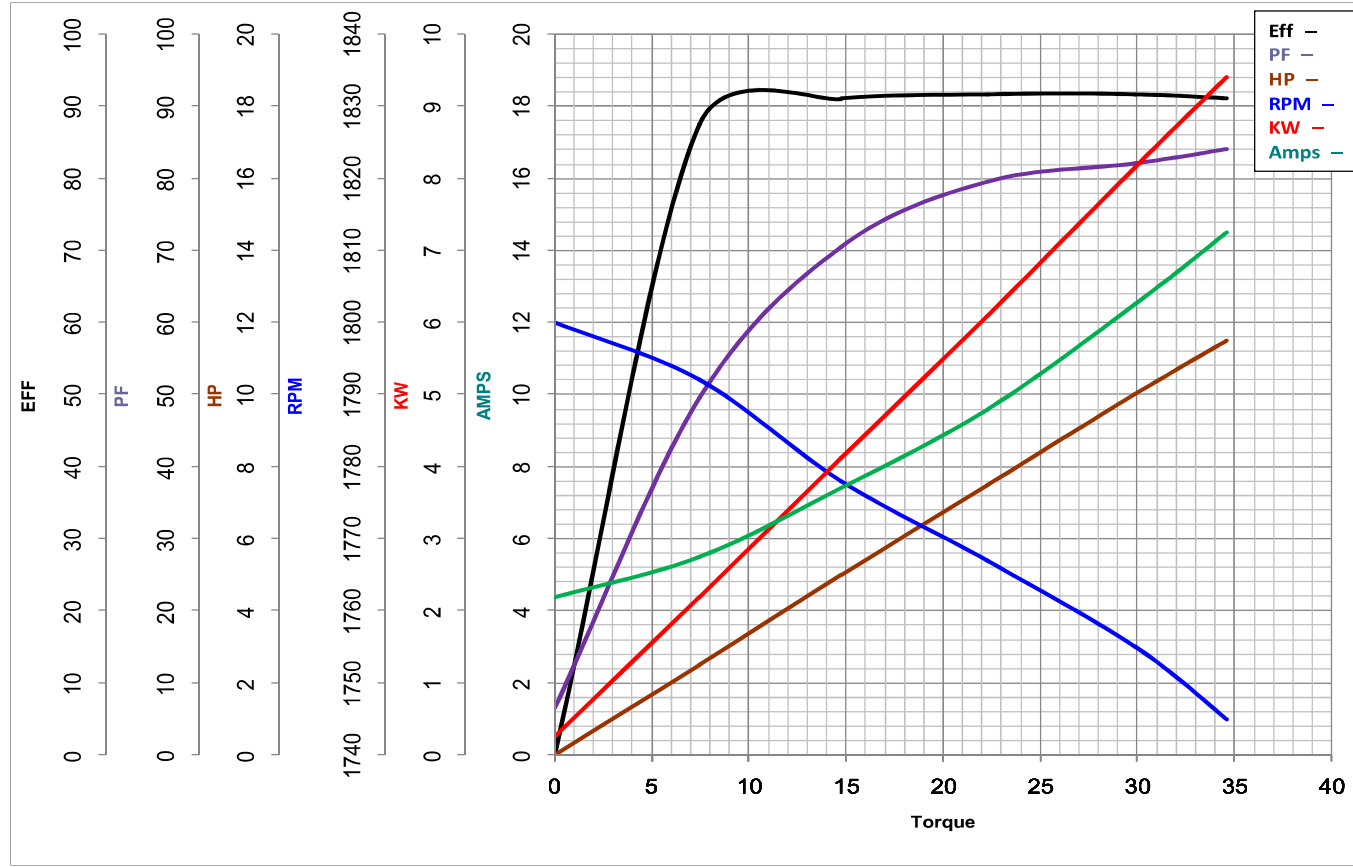
\*  
N  
O  
T  
E  
S

<b>INVERTER TORQUE:</b> VARIABLE 3:1
<b>INV. HP SPEED RANGE:</b> NONE
<b>ENCODER:</b> NONE
NONE NONE
NONE NONE PPR
<b>BRAKE:</b> NONE NONE
NONE P/N NONE
NONE NONE
NONE FT-LB NONE V NONE Hz

### MARATHON ELECTRIC CORPORATION

TYPICAL PERFORMANCE CURVE for AC MOTOR

Customer \_\_\_\_\_ Curve at 460 Volts HP 10&7.5 PHASE 3  
 Model No 215VTDC6026 60 HZ  
10 HP VOLTS 230/460&190/380  
 Catalog No V110A HZ 60&50 RPM 1755&1460



				Torque in Lb.Ft	
FL TORQUE	<u>29.9</u>	Lb.Ft	FL AMPS	<u>25/12.5</u>	
BD TORQUE	<u>85.0</u>	Lb.Ft	PU TORQUE	<u>60.0</u>	Lb.Ft
LR TORQUE	<u>70</u>	Lb.Ft	LR AMPS	<u>82</u>	
WINDING	TPE2154001-1		Date	11/5/2018	

## EC Declaration of Conformity

The undersigned representing  
the manufacturer:

Regal Beloit America  
100 East Randolph St.  
Wausau, WI 54401

and the authorized representative  
established within the Community:

Marathon Electric UK  
6F Thistleton Road Ind. Estate  
Market Overton  
Oakham, Rutland LE15 7PP UK

are committed to providing customers with products that comply with applicable regulations and international protocols to which they are subject, including the requirements of the European Parliament Directive on the Harmonization of the laws relating to electrical equipment designed for use within certain voltage limits (2014/35/EU).

Regal Beloit America declares that the following product(s), to which this declaration relates, are in conformity with the relevant sections of the EC standards listed below.

This statement supersedes any statements previously issued pertaining to the product(s) listed below and is subject to change without notice.

Model No : 215VTDC6026

(Model No. may contain prefix and/or suffix characters)

Catalog No : V110A

Rework No : N/A

Directives :

Low Voltage Directive 2014/35/EU

Harmonized Standards Used :

EN 60034-1: 2010 (IEC 60034-1: 2010)

EN 60034-5: 2001/A1:2007 (IEC 60034-5: 2000/A1:2006)

Authorized Representative:



Michael A. Logsdon  
Vice President, Technology

Authorized Representative in the Community:



Julian Clark  
Marketing Engineer

Created on 09/01/2022

**CE 22**