

PRODUCT INFORMATION PACKET

marathon[®]
Motors

Model No: 215TTGS7065

Catalog No: C326

Other Purpose Motor, 10 & 7.50 HP, 3 Ph, 60 & 50 Hz, 230/460 & 190/380 V, 1800 & 1500 RPM,
215TC Frame, EPFC

Regal and Marathon are trademarks of Regal Rexnord Corporation or one of its affiliated companies.

©2023 Regal Rexnord Corporation, All Rights Reserved. MC017097E

RegalRexnord

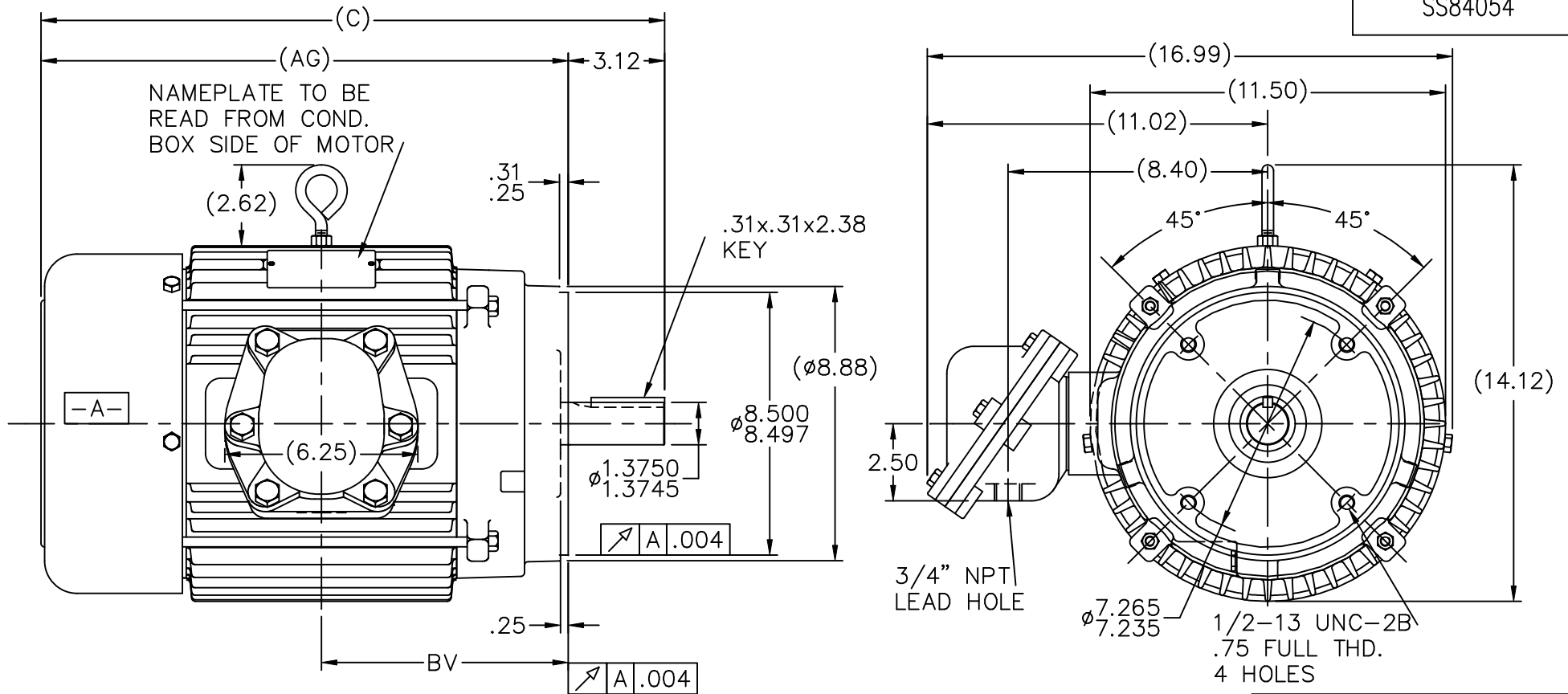


Nameplate Specifications

| | | | |
|------------------------|----------------------------|----------------------------|-----------------------------------|
| Phase | 3 | Output HP | 10 & 7.50 Hp |
| Output KW | 7.5 & 5.6 kW | Voltage | 230/460 & 190/380 V |
| Speed | 1740 & 1455 rpm | Service Factor | 1.0 & 1.0 |
| Frame | 215TC | Enclosure | Explosion Proof Fan cooled |
| Thermal Protection | No Protection | Efficiency | 87.5 & 86.5 % |
| Ambient Temperature | 40 °C | Frequency | 60 & 50 Hz |
| Current | 26/13 & 24/12 A | Power Factor | 82.3 |
| Duty | Continuous | Insulation Class | B |
| Design Code | B | KVA Code | H |
| Drive End Bearing Size | 6309 | Opp Drive End Bearing Size | 6206 |
| UL | Listed | CSA | Y |
| CE | N | IP Code | 54 |
| Number of Speeds | 1 | | |

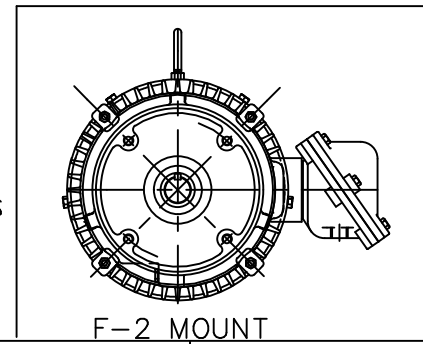
Technical Specifications

| | | | |
|-----------------------|------------------------------------|-----------------------|------------------------|
| Electrical Type | Squirrel Cage Induction Run | Starting Method | Across The Line |
| Poles | 4 | Rotation | Reversible |
| Resistance Main | 1.28 Ohms | Mounting | Round |
| Motor Orientation | Horizontal | Drive End Bearing | Ball |
| Opp Drive End Bearing | Ball | Frame Material | Cast Iron |
| Shaft Type | T | Overall Length | 21.00 in |
| Frame Length | 8.75 in | Shaft Diameter | 1.375 in |
| Shaft Extension | 3.38 in | Assembly/Box Mounting | F1 ONLY |
| Connection Drawing | A-EE7308T | Outline Drawing | A-SS84054-875 |



NOTES:

1. BOX CAN BE ROTATED IN 90° STEPS.
2. BOX CAN BE MOUNTED ON OPPOSITE SIDE BY REMOVING BRACKETS AND TURNING FRAME 180° THIS MODIFICATION CAN BE PERFORMED ONLY BY MARATHON ELECTRIC OR BY A FACILITY THAT IS COVERED UNDER UNDERWRITERS LABORATORIES INC.PTKQ,TITLED" MOTOR AND GENERATORS, REBUILT FOR USE IN HAZARDOUS LOCATIONS"



| DASH | FR. | C | AG | BV | | |
|------|------|-------|-------|------|--|--|
| 725 | 213T | 19.50 | 16.38 | 7.25 | | |
| 875 | 215T | 21.00 | 17.88 | 8.00 | | |
| 1000 | 215T | 22.25 | 19.13 | 8.62 | | |

| NO. | REVISION | BY & DATE | CHK | ANG | TOLERANCES UNLESS SPECIFIED |
|-----|--|----------------|-----|-------|-----------------------------|
| 10 | UPDATED DRAWING | TJW 04/27/2007 | | | |
| 9 | ADDED F2 MOUNT AND UPDATED THE NOTE. | ST 2/12/2007 | SVL | DEC. | INCHES |
| 8 | REDRAWN IN AUTOCAD | TAT 07-06-2004 | ML | .X | ±.1 |
| 7 | REMOVED HOLE IN FAN GUARD CN 31183 | TJB 06-08-2001 | | .XX | ±.03 |
| 6 | CLARIFIED FRAME AND CONDUIT BOX CN 29200-978 | BLR 10-16-2000 | | .XXX | ±.005 |
| 5 | ADDED EYEBOLT CN 16783 | MRB 12-14-1994 | | .XXXX | ±.0005 |
| | | | | | ±7'30" |

MARATHON ELECTRIC

TITLE OUTLINE
210T FR. - EPFC - C' FACE

MAT'L.

FINISH

| | |
|-------|---------------|
| DRAWN | KL 03-15-1994 |
| CHK | ML 03-16-1994 |
| APPD | GK 03-16-1994 |
| SCALE | 1=5 |
| REF | |
| FMF | |
| PREV | |

THIS DRAWING IN DESIGN AND DETAIL IS OUR PROPERTY AND MUST NOT BE USED EXCEPT IN CONNECTION WITH OUR WORK ALL RIGHTS OF DESIGN AND INVENTION ARE RESERVED THIS IS AN ELECTRONICALLY GENERATED DOCUMENT - DO NOT SCALE THIS PRINT

| | | | | | | | |
|------|----------|---------|------|-------------|------|----|------|
| RFP | CAD FILE | ss84054 | SIZE | DRAWING NO. | PAGE | OF | REV. |
| DIST | LB | | A | SS84054 | | | 10 |

HIGH VOLTAGE



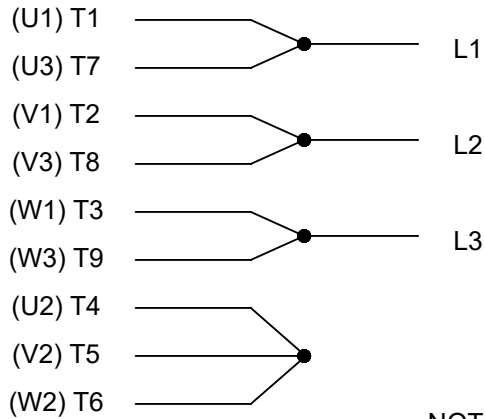
**THREE PHASE
DUAL VOLTAGE MOTOR**

THERMO-PROTECTORS
CONNECTED IN SERIES



NOTE FOR FACTORY USE ONLY:
TO SURGE TEST FOR COMMON CONNECT:
HIGH VOLT: CONNECT P1 TO T1
THEN P2 TO L1
LOW VOLT: CONNECT P1 TO T1 & T7,
THEN P2 TO L1

LOW VOLTAGE



VIEW OF TERMINAL END

NOTE: LEAD'S COLOR CAN BE YELLOW OR WHITE FOR MT2 PLANT

| | | | | | |
|---|-------------------|--------------------|----------------------------|--------------------|---|
| DRAWING REVISION T | REVISION BY ZR | DATE 01-14-2019 | | DRAWN BY SMC | Regal Beloit America, Inc. |
| ECO ECO-0159915 | APPROVED BY DR | DATE 01-15-2019 | | DATE 05-13-1992 | |
| ECO DESCRIPTION ADDED TERMINAL CONNECTION DIAGRAM | | | | APPROVED BY TB | DESCRIPTION CONN DIAGRAM-INTERNAL 3 PHASE - DUAL VOLTAGE MOTOR |
| <small>COPYRIGHT REGAL BELOIT AMERICA, INC. ALL RIGHTS RESERVED. PROPRIETARY AND CONFIDENTIAL INFORMATION - THIS DOCUMENT IS THE PROPERTY OF REGAL BELOIT AMERICA, INC. ("OWNER") AND CONTAINS OWNER'S PROPRIETARY INFORMATION. ANY PERSON, CORPORATION OR OTHER FIRM RECEIVING IT IS DEEMED, BY RECEIVING IT, TO AGREE THAT IT, AND/OR ANY PART OF IT, SHALL NOT BE DISCLOSED TO ANY PERSON, CORPORATION OR OTHER ENTITY, DUPLICATED, AND/OR USED, EXCEPT AS EXPRESSLY APPROVED IN WRITING IN ADVANCE BY OWNER. THIS DOCUMENT SHALL BE RETURNED TO OWNER UPON REQUEST. IT MAY BE SUBJECT TO CERTAIN RESTRICTIONS UNDER APPLICABLE EXPORT CONTROL LAWS AND REGULATIONS.</small> | | | | DATE 05-13-1992 | MATERIAL |
| | | | REFERENCE EE7308/EE7300 | SIZE A | DRAWING NUMBER EE7308T |