

PRODUCT INFORMATION PACKET

Model No: 215TTGS4049

Catalog No: C371

Explosion Proof Motor, 10 HP, 3 Ph, 60 Hz, 575 V, 1800 RPM, 215TC Frame, EPFC

Regal and are trademarks of Regal Rexnord Corporation or one of its affiliated companies.
©2022 Regal Rexnord Corporation, All Rights Reserved. MC017097E

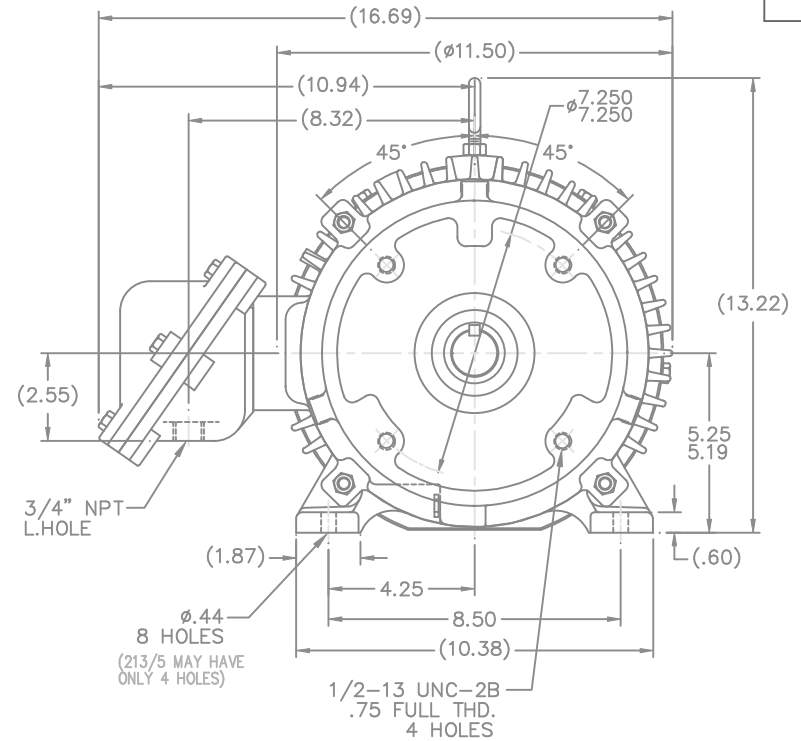
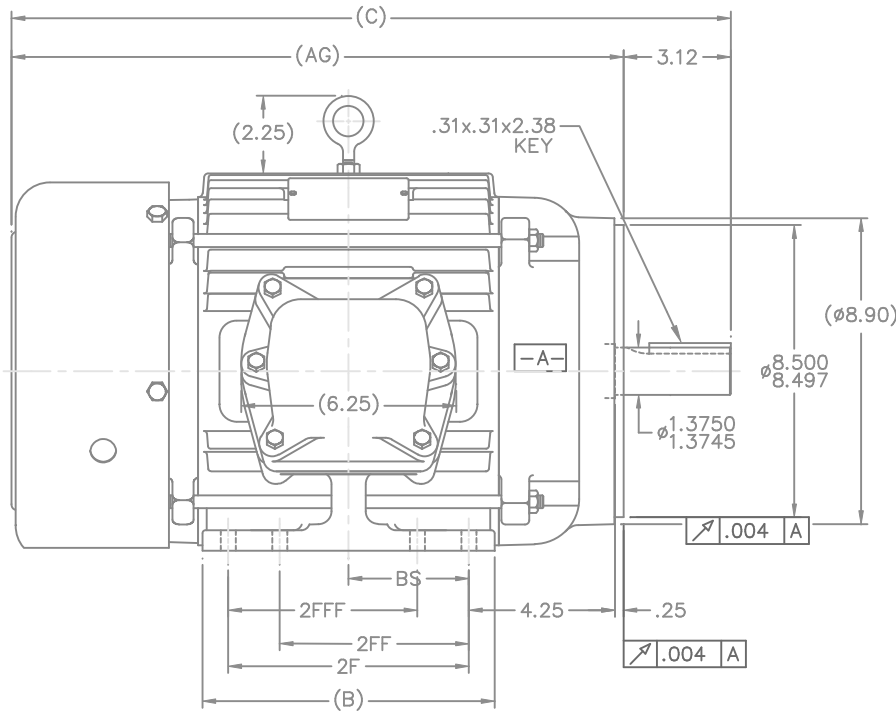


Nameplate Specifications

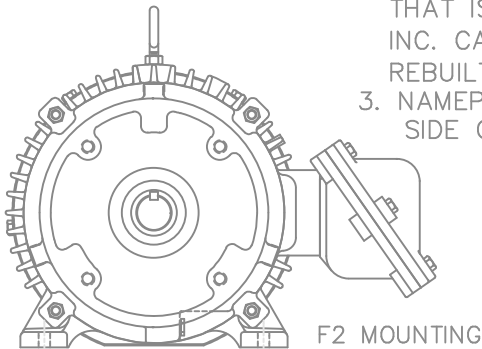
Output HP	10 Hp	Output KW	7.5 kW
Frequency	60 Hz	Voltage	575 V
Current	10.4 A	Speed	1765 rpm
Service Factor	1.15	Phase	3
Efficiency	91 %	Power Factor	80
Duty	Continuous	Insulation Class	F
Design Code	B	KVA Code	H
Frame	215TC	Enclosure	Explosion Proof Fan cooled
Thermal Protection	Thermostat	Ambient Temperature	40 °C
Drive End Bearing Size	6309	Opp Drive End Bearing Size	6206
UL	UL Listed And CSA Certified	CSA	Y
CE	N	IP Code	54
Hazardous Location	EXP PROOF CL I GR D CL II GR F&G T3B	Number of Speeds	1

Technical Specifications

Electrical Type	Squirrel Cage Inverter Rated	Starting Method	Line Or Inverter
Poles	4	Rotation	Reversible
Resistance Main	.9 Ohms	Mounting	Rigid Base
Motor Orientation	Horizontal	Drive End Bearing	Ball
Opp Drive End Bearing	Ball	Frame Material	Cast Iron
Shaft Type	T	Overall Length	21.65 in
Frame Length	10.00 in	Shaft Diameter	1.375 in
Shaft Extension	3.38 in	Assembly/Box Mounting	F1 ONLY
Connection Drawing	A-EE7300T	Outline Drawing	B-SS84063-1000



- NOTES:
1. CONDUIT BOX CAN BE ROTATED IN 90° STEPS.
 - 2- CONDUIT BOX CAN BE MOUNTED ON OPPOSITE SIDE BY REMOVING BRACKETS AND TURNING FRAME 180°. THIS MODIFICATION CAN BE PERFORMED ONLY BY THE ORIGINAL EQUIPMENT MANUFACTURER, OR BY A FACILITY THAT IS COVERED UNDER UNDERWRITERS LABORATORIES INC. CATEGORY PTKQ, TITLED "MOTORS AND GENERATORS, REBUILT FOR USE IN HAZARDOUS LOCATIONS".
 3. NAMEPLATE TO BE READ FROM CONDUIT BOX SIDE OF MOTOR.



DASH	FRAME	B	2F	2FF	2FFF	BS	CAST FAN GUARD		STEEL FAN GUARD	
							C	AG	C	AG
725	213TC	7.00	5.50	-	-	2.75	18.90	15.78	19.42	16.30
875	215TC	8.50	7.00	-	-	3.50	20.40	17.28	20.92	17.80
875	213/5TC	8.50	7.00	5.50	5.50	3.50	20.40	17.28	20.92	17.80
1000	213TC	9.75	8.25	5.50	5.50	4.12	21.65	18.53	22.17	19.05
1000	215TC	9.75	8.25	7.00	7.00	4.12	21.65	18.53	22.17	19.05

NO.	REVISION	BY & DATE	CHK	ANG	TOLERANCES UNLESS SPECIFIED	FINISH	NO.	DATE	CHK
10	UPDATED DRAWING	TJW 04/27/2007							
9	REVISED CONDUIT BOX NOTE PER CN40800	SVL 04/16/2007							
8	ADD THE 'F2' VIEW OF C'BOX MTG. MU50457	RWR 04/14/2004			.XX ±.1				
7	REVISE DASH TABLE AND FOOT HOLE DIMENSIONS				.XX ±.03				
	IT WAS 'A' SIZE CN27451	MRB 04/22/1999	ML	.XXX ±.005					
6	REVISED D.E. BRACKET	MH 02/27/1998	ML	.XXXX ±.0005					
			CHK	ANG ±7'30"					
			RFP						
			DIST	LB					

REGAL-BELOIT CORPORATION
 DRAWN BH 02/23/1996
 CHK ML 02/26/1998
 APPD GK 02/26/1998

TITLE OUTLINE
 210TC FR. -EPFC -'C'FACE
 SCALE 5=18
 REF
 FMP
 PREV

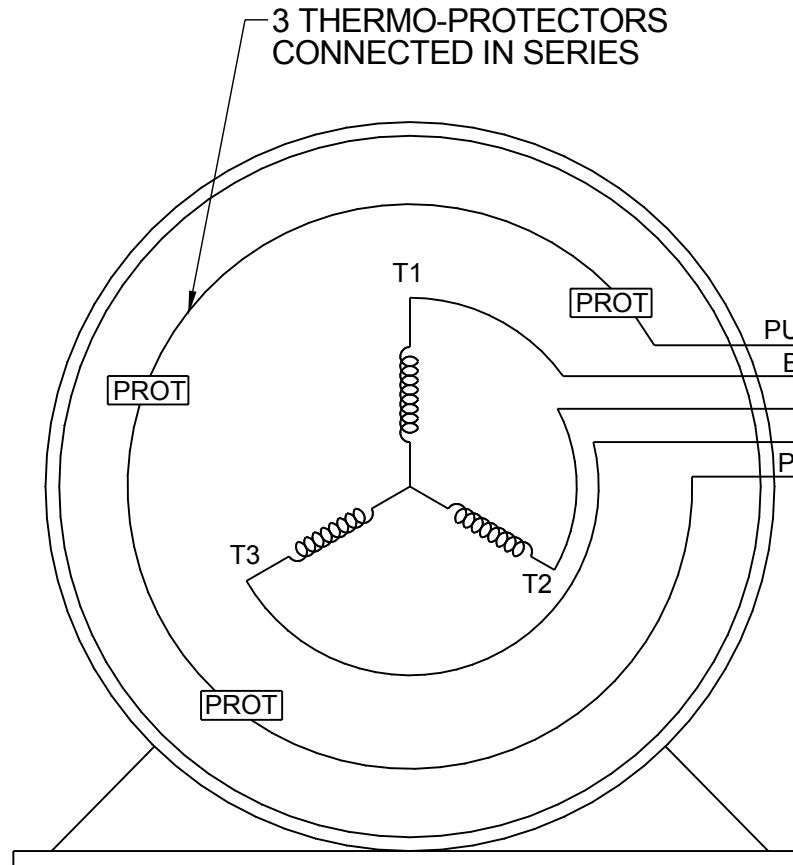
THIS DRAWING IN DESIGN AND DETAIL IS OUR PROPERTY AND MUST NOT BE USED EXCEPT IN CONNECTION WITH OUR WORK ALL RIGHTS OF DESIGN AND INVENTION ARE RESERVED THIS IS AN ELECTRONICALLY GENERATED DOCUMENT - DO NOT SCALE THIS PRINT
 CAD FILE ss84063
 SIZE B DRAWING NO. SS84063 PAGE 1 OF 1 REV. 10

**THREE PHASE - SINGLE VOLTAGE
MOTOR - CONDUIT BOX @ 'A'**

**TO REVERSE ROTATION:
INTERCHANGE ANY TWO LINE
LEAD CONNECTIONS**

**NOTE FOR FACTORY USE ONLY:
TO SURGE TEST:
FOR 3 LEAD COMMON CONNECT:
CONNECT P1 TO T1 THEN P2 TO L1
FOR 6 LEAD COMMON CONNECT:
CONNECT P1 TO BOTH T1
THEN P2 TO L1**

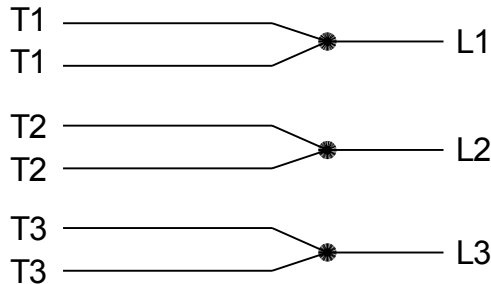
TERMINAL BLOCK WHEN SPECIFIED



- PURPLE P1 (TB1)
- BLACK T1 (U1)
- RED T2 (V1)
- BLUE T3 (W1)
- PURPLE P2 (TB2)

- T2BM
- T6AW
- T6AL
- T6Z
- T4EG
- T4BF
- T8A
- T6H
- T6A
- T4AX
- T4A
- T2A
- T2F

**IF MOTOR HAS MULTIPLE
T'S PER LEAD CONNECT
TOGETHER LIKE T'S**



A-9806 DECAL

DRAWING REVISION AB	REVISION BY AJW	DATE 07-17-2015
ECO ECO-0081632	APPROVED BY T.VUE	DATE 07-17-2015
ECO DESCRIPTION REV'D IEC MARKINGS PER IEC-60034-8		
<small>COPYRIGHT REGAL BELOIT AMERICA, INC. ALL RIGHTS RESERVED. PROPRIETARY AND CONFIDENTIAL INFORMATION - THIS DOCUMENT IS THE PROPERTY OF REGAL BELOIT AMERICA, INC. ("OWNER") AND CONTAINS OWNER'S PROPRIETARY INFORMATION. ANY PERSON, CORPORATION OR OTHER FIRM RECEIVING IT IS DEEMED, BY RECEIVING IT, TO AGREE THAT IT, AND/OR ANY PART OF IT, SHALL NOT BE DISCLOSED TO ANY PERSON, CORPORATION OR OTHER ENTITY, DUPLICATED, AND/OR USED, EXCEPT AS EXPRESSLY APPROVED IN WRITING IN ADVANCE BY OWNER. THIS DOCUMENT SHALL BE RETURNED TO OWNER UPON REQUEST. IT MAY BE SUBJECT TO CERTAIN RESTRICTIONS UNDER APPLICABLE EXPORT CONTROL LAWS AND REGULATIONS.</small>		



DRAWN BY LZ
DATE 01-04-1994
APPROVED BY GK
DATE 01-20-1994
REFERENCE
THIRD ANGLE PROJECTION

REGAL ™ Regal Beloit America, Inc.	
DESCRIPTION CONN DIAGRAM-EXTERNAL 3Ø-SINGLE VOLT-MOTOR WITH PROTECTOR	
MATERIAL	PROCESS/FINISH
SIZE A	DRAWING NUMBER EE7300T
SHEET 1 OF 1	