

PRODUCT INFORMATION PACKET

marathon®
Motors

Model No: 215TTGS1076

Catalog No: U943

Other Purpose Motor, 5 & 3 HP, 3 Ph, 60 & 50 Hz, 208-230/460 & 190/380 V, 1200 & 1000 RPM,
215T Frame, EPFC



Regal and Marathon are trademarks of Regal Rexnord Corporation or one of its affiliated companies.

©2023 Regal Rexnord Corporation, All Rights Reserved. MC017097E

RegalRexnord

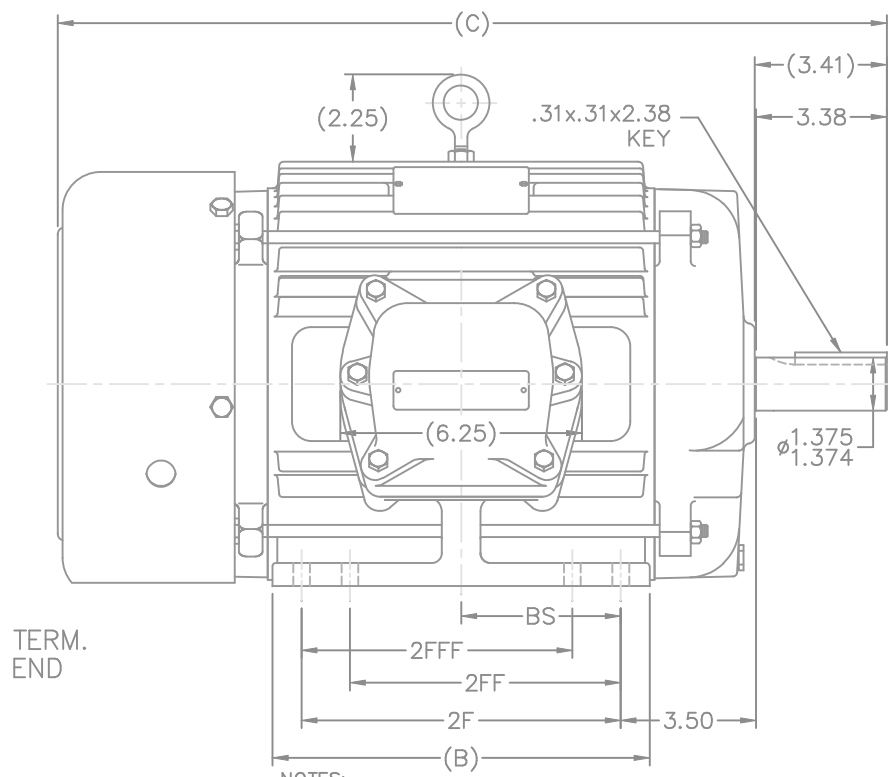


Nameplate Specifications

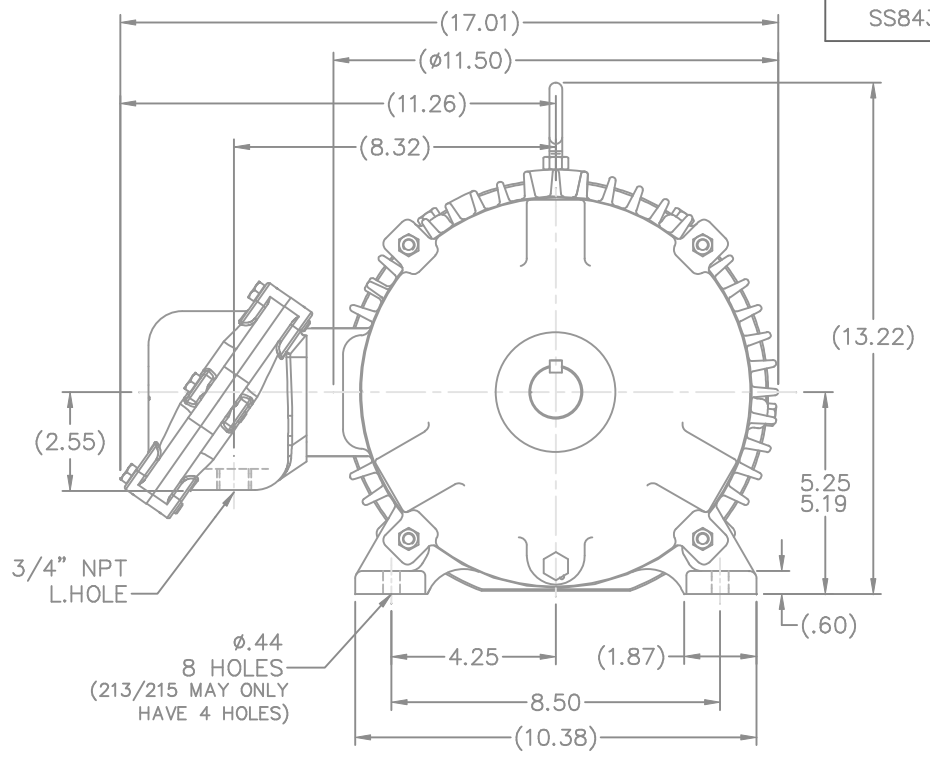
Phase	3	Output HP	5 & 3 Hp
Output KW	3.7 & 2.2 kW	Voltage	208-230/460 & 190/380 V
Speed	1165 & 970 rpm	Service Factor	1.15 & 1.15
Frame	215T	Enclosure	Explosion Proof Fan cooled
Thermal Protection	No Protection	Efficiency	87.5 & 87.5 %
Ambient Temperature	40 °C	Frequency	60 & 50 Hz
Current	15.2-14/7 & 11.2/5.6 A	Power Factor	75
Duty	Continuous	Insulation Class	F
Design Code	B	KVA Code	J
Drive End Bearing Size	6307	Opp Drive End Bearing Size	6206
UL	Listed	CSA	Y
CE	N	IP Code	54
Number of Speeds	1		

Technical Specifications

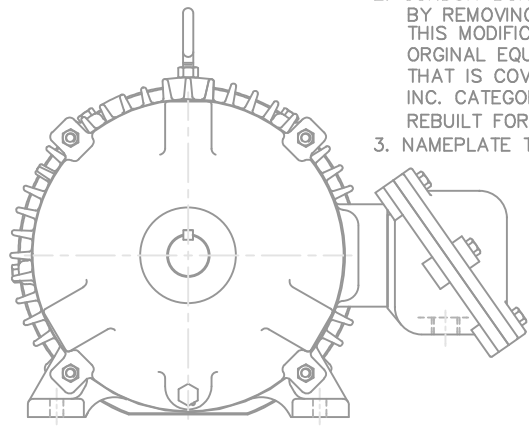
Electrical Type	Squirrel Cage Inverter Rated	Starting Method	Line Or Inverter
Poles	6	Rotation	Reversible
Resistance Main	2.25 Ohms	Mounting	Rigid Base
Motor Orientation	Horizontal	Drive End Bearing	Ball
Opp Drive End Bearing	Ball	Frame Material	Cast Iron
Shaft Type	T	Overall Length	20.91 in
Frame Length	10.00 in	Shaft Diameter	1.375 in
Shaft Extension	3.41 in	Assembly/Box Mounting	F1 ONLY
Inverter Load	CONSTANT 2:1		
Connection Drawing	A-EE7308	Outline Drawing	B-SS84370-1000



TERM.
END



- NOTES:
1. CONDUIT BOX CAN BE ROTATED IN 90° STEPS.
 2. CONDUIT BOX CAN BE MOUNTED ON OPPOSITE SIDE BY REMOVING BRACKETS AND TURNING FRAME 180°. THIS MODIFICATION CAN BE PERFORMED ONLY BY THE ORIGINAL EQUIPMENT MANUFACTURER, OR BY A FACILITY THAT IS COVERED UNDER UNDERWRITERS LABORATORIES INC. CATEGORY PTKQ, TITLED "MOTORS AND GENERATORS,. REBUILT FOR USE IN HAVARDOUS LOCATION".
 3. NAMEPLATE TO BE READ FROM CONDUIT BOX SIDE OF MOTOR.



F2 MOUNTING

DASH	FRAME	B	2F	2FF	2FFF	BS	C CAST FAN GUARD	C STEEL FAN GUARD
725	213T	7.00	5.50	-	-	2.75	18.16	18.68
875	215T	8.50	7.00	-	-	3.50	19.66	20.18
875	213/5T	8.50	7.00	5.50	5.50	3.50	19.66	20.18
1000	213T	9.75	8.25	5.50	5.50	4.12	20.91	21.43
1000	215T	9.75	8.25	7.00	7.00	4.12	20.91	21.43

NO.	REVISION	BY & DATE	CHK	ANG	±7'30"	FINISH	PREV
9	REVISE FRAME TO C'BOX LOCATION PER PARTS	RWR 07-10-2007					
8	UPDATED DRAWING	TJW 04-27-2007	ML	DEC.	INCHES		
7	MODIFIED NOTE AS PER CN 40800	TJW 01-10-2007	ML	.X	±.1		
6	REDRAWN IN AUTOCAD	TAT 06-29-2004	ML	.XX	±.03		
5	REVISED DASH TABLE AND FOOT HOLE DIMENSIONS			.XXX	±.005		
	WAS "A" SIZE	CN 27451	MRB 03-25-1999	.XXXX	±.0005		
THIS DRAWING IN DESIGN AND DETAIL IS OUR PROPERTY AND MUST NOT BE USED EXCEPT IN CONNECTION WITH OUR WORK ALL RIGHTS OF DESIGN AND INVENTION ARE RESERVED THIS IS AN ELECTRONICALLY GENERATED DOCUMENT - DO NOT SCALE THIS PRINT						TITLE OUTLINE 210T FR. - EXP. PR.	DRAWN DT 08-25-1995 CHK ML 08-29-1995 APPD GK 08-29-1995 SCALE 5=16 REF FMF PREV
THIS DRAWING IN DESIGN AND DETAIL IS OUR PROPERTY AND MUST NOT BE USED EXCEPT IN CONNECTION WITH OUR WORK ALL RIGHTS OF DESIGN AND INVENTION ARE RESERVED THIS IS AN ELECTRONICALLY GENERATED DOCUMENT - DO NOT SCALE THIS PRINT						CAD FILE ss84370	SIZE B DRAWING NO. SS84370 PAGE OF 9



NO.		REVISION		BY & DATE		CHK		ANG		FINISH		PREV									
5	CHG TO REGAL LOGO	SL	09/10/2015	AB																	
4	REVISED IEC NOTATIONS	MSG	11/15/2011	CMN	.X	±.1															
3	ADDED IEC NOTATIONS... (U1), (V1) ETC. MU95194	MSG	5/10/2010	MJS	.XX	±.02															
2	ADDED THE OPTIONAL CORD CONNECTION MU46318	RDH	04/24/2003	DRS	.XXX	±.005															
1	REDRAWN	RM	11/20/1990		.XXXX	±.0005															
THIS DRAWING IN DESIGN AND DETAIL IS OUR PROPERTY AND MUST NOT BE USED EXCEPT IN CONNECTION WITH OUR WORK ALL RIGHTS OF DESIGN AND INVENTION ARE RESERVED THIS IS AN ELECTRONICALLY GENERATED DOCUMENT - DO NOT SCALE THIS PRINT										RFP		CAD FILE ee7308		SIZE A		DRAWING NO. EE7308		PAGE OF 5		REV. 5	
										DIST WP											

REGAL™ Regal Beloit America, Inc.

DRAWN RM 11/20/1990
 CHK ML 11/21/1990
 APPD SAS 04/24/2003

TITLE CONNECTION DIAGRAM
 3Ø - DUAL VOLTAGE MOTOR

SCALE 1=1
 REF
 FMF