

PRODUCT INFORMATION PACKET

Model No: 215TTGN16532

Catalog No: U026A

Hazardous Duty® Explosion Proof Motor, 10 HP, 3 Ph, 60 Hz, 575 V, 1800 RPM, 215T Frame, EPFC



Regal and Marathon are trademarks of Regal Rexnord Corporation or one of its affiliated companies.
©2024 Regal Rexnord Corporation, All Rights Reserved. MC017097E

Nameplate Specifications

| | | | |
|------------------------|---|----------------------------|---|
| Phase | 3 | Output HP | 10 Hp |
| Output KW | 7.5 kW | Voltage | 575 V |
| Speed | 1765 rpm | Service Factor | 1.15 |
| Frame | 215T | Enclosure | Explosion Proof Fan cooled |
| Thermal Protection | Thermostat | Efficiency | 91.7 % |
| Ambient Temperature | 40 °C | Frequency | 60 Hz |
| Current | 10.0 A | Power Factor | 82 |
| Duty | Continuous | Insulation Class | F |
| Design Code | B | KVA Code | G |
| Drive End Bearing Size | 6307 | Opp Drive End Bearing Size | 6208 |
| UL | UL Listed; also, UL Certified for Canada | CSA | N |
| CE | N | IP Code | 54 |
| Number of Speeds | 1 | Hazardous Location | EXP PROOF CL I GR D CL II GR F&G T3B |

Technical Specifications

| | | | |
|-----------------------|-------------------------------------|-----------------------|-------------------------|
| Electrical Type | Squirrel Cage Inverter Rated | Starting Method | Line Or Inverter |
| Poles | 4 | Rotation | Reversible |
| Resistance Main | .894 Ohms | Mounting | Rigid Base |
| Motor Orientation | Horizontal | Drive End Bearing | Ball |
| Opp Drive End Bearing | Ball | Frame Material | Cast Iron |
| Shaft Type | T | Overall Length | 22.63 in |
| Frame Length | 12.12 in | Shaft Diameter | 1.375 in |
| Shaft Extension | 3.48 in | Assembly/Box Mounting | F1 ONLY |
| Connection Drawing | A-EE7300T | Outline Drawing | 037660-1212 |

4

3

Uncontrolled Copy

2

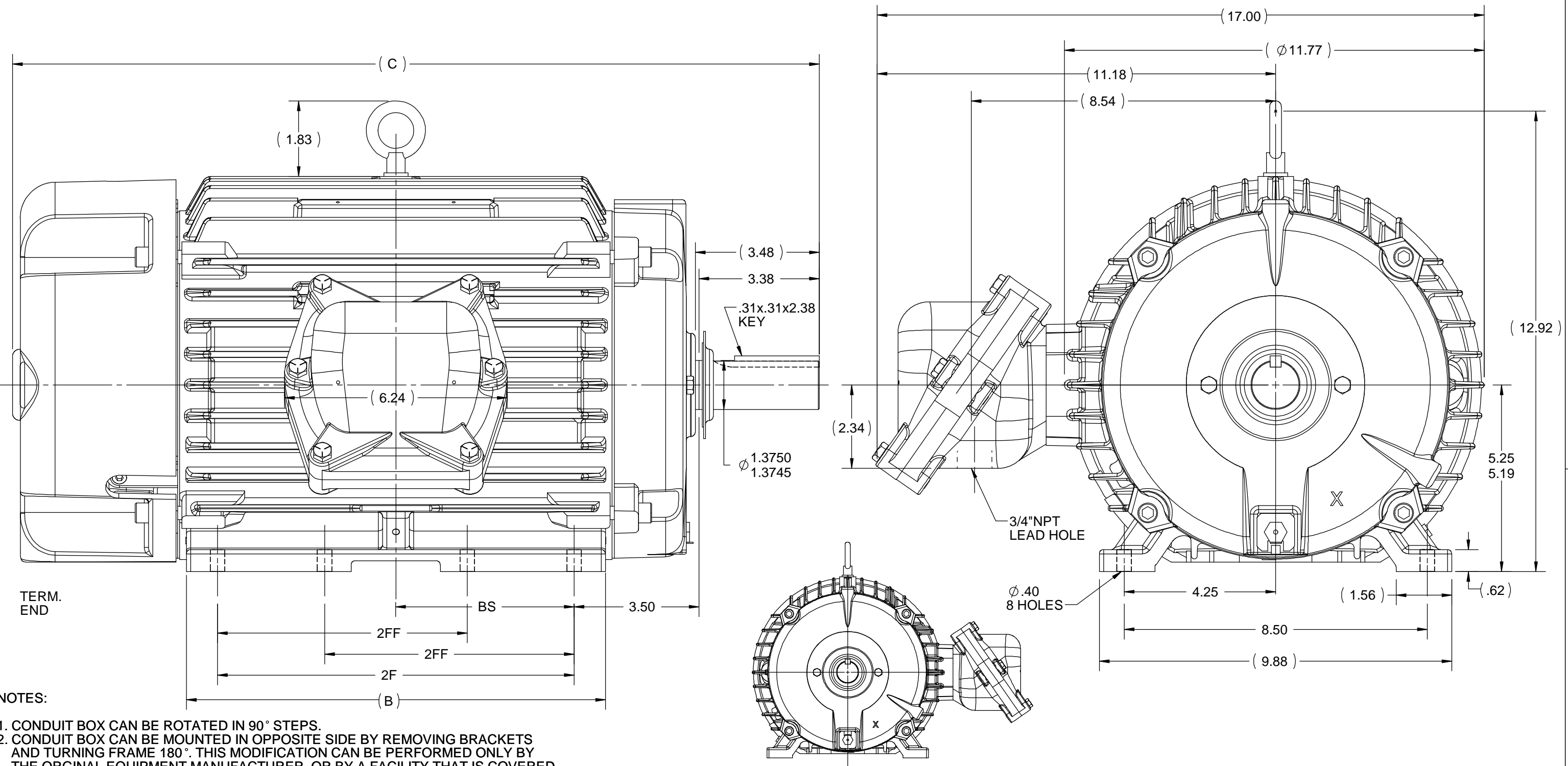
1

B

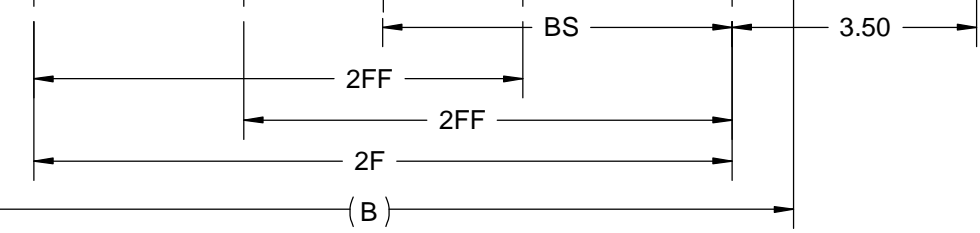
B

A

A



TERM. END



NOTES:

1. CONDUIT BOX CAN BE ROTATED IN 90° STEPS.
2. CONDUIT BOX CAN BE MOUNTED IN OPPOSITE SIDE BY REMOVING BRACKETS AND TURNING FRAME 180°. THIS MODIFICATION CAN BE PERFORMED ONLY BY THE ORIGINAL EQUIPMENT MANUFACTURER, OR BY A FACILITY THAT IS COVERED UNDER UNDERWRITERS LABORATORIES INC. CATEGORY PTKQ, TITLED "MOTOR AND GENERATORS, REBUILT FOR USE IN HAZARDOUS LOCATION".
3. NAMEPLATE TO BE READ FROM CONDUIT BOX SIDE OF MOTOR.

F2 MOUNTING

| | | | | | | |
|------|---------|-------|-------|----|-----|-----|
| 1212 | 215 | 22.63 | 11.76 | 10 | 7 | 5 |
| 912 | 213/215 | 19.63 | 8.63 | 7 | 5.5 | 3.5 |
| DASH | FRAME | C | B | 2F | 2FF | BS |

| | | |
|---|--------------------|--------------------|
| DRAWING REVISION G | REVISION BY MVG | DATE 02/08/2019 |
| ECO ECO-0139404 | APPROVED BY SR | DATE 02/08/2019 |
| ECO DESCRIPTION OUTLINE UPDATED AS PER ECR-0149056 COPYRIGHT REGAL BELOIT AMERICA, INC. ALL RIGHTS RESERVED. PROPRIETARY AND CONFIDENTIAL INFORMATION - THIS DOCUMENT IS THE PROPERTY OF REGAL BELOIT AMERICA, INC. ("OWNER") AND CONTAINS OWNER'S PROPRIETARY INFORMATION. ANY PERSON, CORPORATION OR OTHER FIRM RECEIVING IT IS DEEMED, BY RECEIVING IT, TO AGREE THAT IT, AND/OR ANY PART OF IT, SHALL NOT BE DISCLOSED TO ANY PERSON, CORPORATION OR OTHER ENTITY, DUPLICATED, AND/OR USED, EXCEPT AS EXPRESSLY APPROVED IN WRITING IN ADVANCE BY OWNER. THIS DOCUMENT SHALL BE RETURNED TO OWNER UPON REQUEST. IT MAY BE SUBJECT TO CERTAIN RESTRICTIONS UNDER APPLICABLE EXPORT CONTROL LAWS AND REGULATIONS. | | |

| | | | |
|--|---------|-----------|---------|
| TOLERANCES UNLESS OTHERWISE SPECIFIED: | | | |
| DEC. | INCH | mm | ANGLE |
| .X | ±0.1 | [±2.5] | ±7° 30" |
| .XX | ±0.03 | [±0.76] | |
| .XXX | ±0.005 | [±0.127] | |
| .XXXX | ±0.0005 | [±0.0127] | |
| REMOVE BURRS & BREAK SHARP EDGES: .003/.015 [.076/.381] X 45° CORNER FILLETS: R.02 [.51] MACHINED SURFACES: 200 INCH/mm 5.1 mm SHOWN IN [BRACKETS] | | | |

| | |
|---------------------------|------------------------|
| DRAWN BY AK 10/28/2009 | DATE |
| APPROVED BY | DATE |
| REFERENCE SS84370 | THIRD ANGLE PROJECTION |

| | |
|---|-----------------|
| REGAL ™ Regal Beloit America, Inc. | |
| DESCRIPTION OUTLINE 210 FR. - EPFC | PROCESS/FINISH |
| MATERIAL | SIZE B |
| DRAWING NUMBER 037660 | SHEET 1 OF 1 |

4

3

2

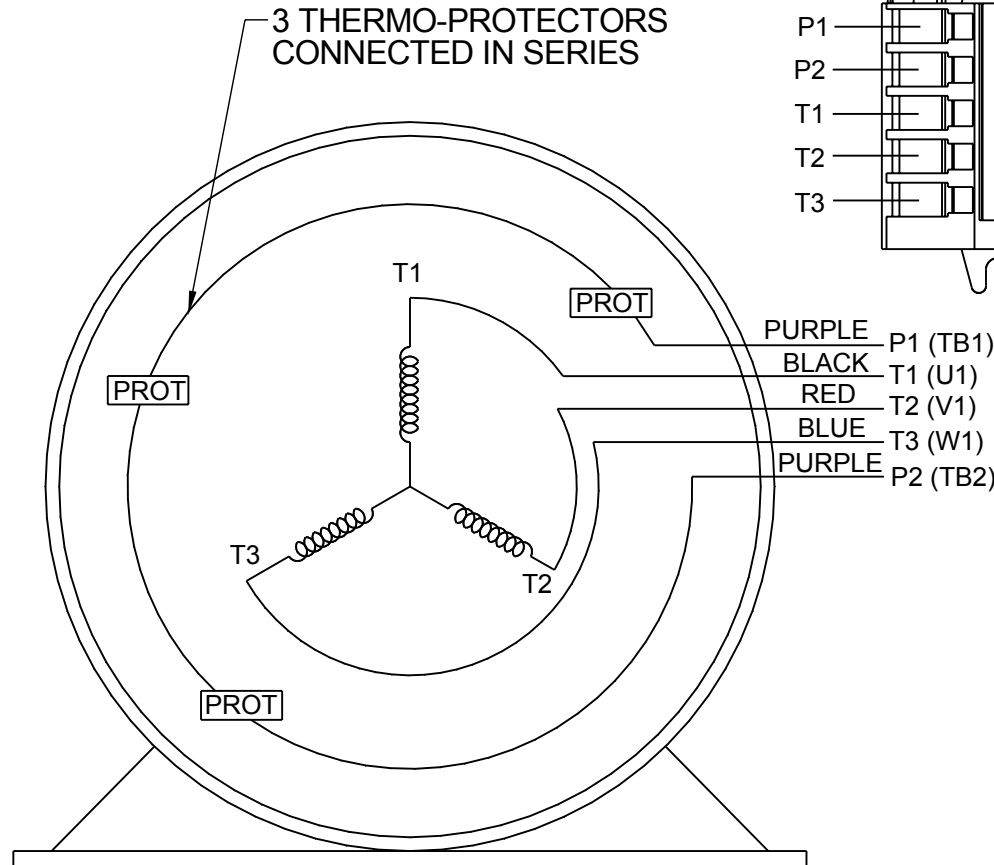
1

**THREE PHASE - SINGLE VOLTAGE
MOTOR - CONDUIT BOX @ 'A'**

**TO REVERSE ROTATION:
INTERCHANGE ANY TWO LINE
LEAD CONNECTIONS**

**NOTE FOR FACTORY USE ONLY:
TO SURGE TEST:
FOR 3 LEAD COMMON CONNECT:
CONNECT P1 TO T1 THEN P2 TO L1
FOR 6 LEAD COMMON CONNECT:
CONNECT P1 TO BOTH T1
THEN P2 TO L1**

TERMINAL BLOCK WHEN SPECIFIED

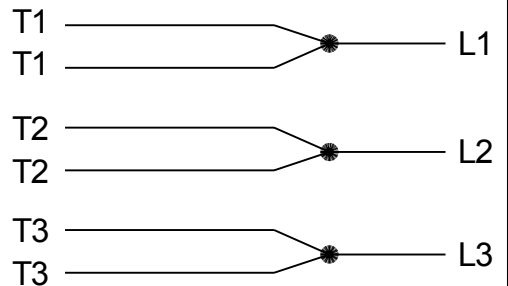


- PURPLE P1 (TB1)
- BLACK T1 (U1)
- RED T2 (V1)
- BLUE T3 (W1)
- PURPLE P2 (TB2)

- T2BM
- T6AW
- T6AL
- T6Z
- T4EG
- T4BF
- T8A
- T6H
- T6A
- T4AX
- T4A
- T2A
- T2F

VIEW OF TERMINAL END

**IF MOTOR HAS MULTIPLE
T'S PER LEAD CONNECT
TOGETHER LIKE T'S**



A-9806 DECAL

| | | | | | |
|---|----------------------|--------------------|---------------------------|--------------------|--|
| DRAWING REVISION AB | REVISION BY AJW | DATE 07-17-2015 | | DRAWN BY LZ | Regal Beloit America, Inc. |
| ECO ECO-0081632 | APPROVED BY T.VUE | DATE 07-17-2015 | | DATE 01-04-1994 | |
| ECO DESCRIPTION REV'D IEC MARKINGS PER IEC-60034-8 | | | | APPROVED BY GK | DESCRIPTION CONN DIAGRAM-EXTERNAL 3Ø-SINGLE VOLT-MOTOR WITH PROTECTOR |
| <small>COPYRIGHT REGAL BELOIT AMERICA, INC. ALL RIGHTS RESERVED. PROPRIETARY AND CONFIDENTIAL INFORMATION - THIS DOCUMENT IS THE PROPERTY OF REGAL BELOIT AMERICA, INC. ("OWNER") AND CONTAINS OWNER'S PROPRIETARY INFORMATION. ANY PERSON, CORPORATION OR OTHER FIRM RECEIVING IT IS DEEMED, BY RECEIVING IT, TO AGREE THAT IT, AND/OR ANY PART OF IT, SHALL NOT BE DISCLOSED TO ANY PERSON, CORPORATION OR OTHER ENTITY, DUPLICATED, AND/OR USED, EXCEPT AS EXPRESSLY APPROVED IN WRITING IN ADVANCE BY OWNER. THIS DOCUMENT SHALL BE RETURNED TO OWNER UPON REQUEST. IT MAY BE SUBJECT TO CERTAIN RESTRICTIONS UNDER APPLICABLE EXPORT CONTROL LAWS AND REGULATIONS.</small> | | | | DATE 01-20-1994 | MATERIAL |
| | | | THIRD ANGLE PROJECTION | SIZE A | DRAWING NUMBER EE7300T |

Data Sheet

Date: 6/20/2017

215TTGN16532

Customer: _____



Attention: _____

Submittal

Submitted by: FAREEDA DUDEKULA

Data @ 575 V

Motor Load Data

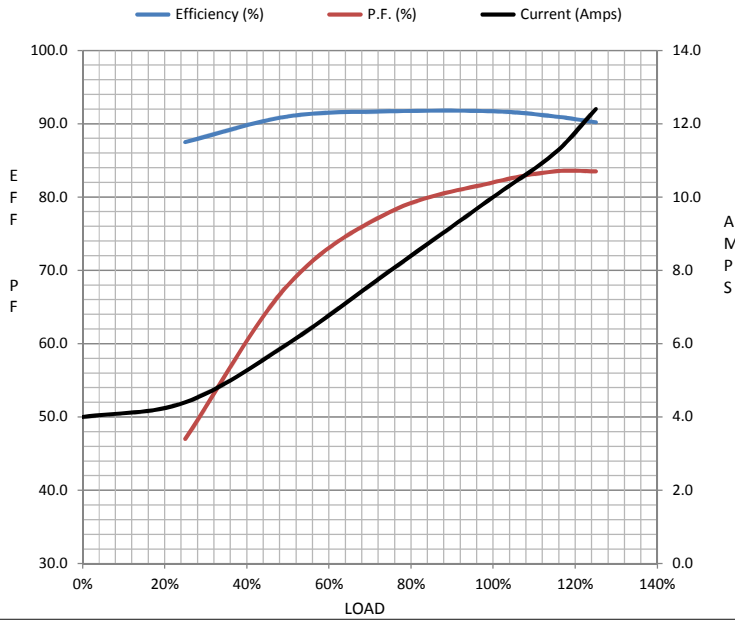
| Load | 0% | 25% | 50% | 75% | 100% | 115% | 125% | LR |
|----------------|------|------|------|------|------|-------|------|------|
| Current (Amps) | 4.0 | 4.4 | 6.0 | 8.0 | 10.0 | 11.2 | 12.4 | 64.0 |
| Torque (ft-lb) | 0.00 | 7.5 | 14.5 | 22.0 | 29.8 | 34.5 | 37.5 | 60.0 |
| RPM | 1800 | 1790 | 1785 | 1775 | 1765 | 1,755 | 1750 | 0 |
| Efficiency (%) | | 87.5 | 91.0 | 91.7 | 91.7 | 91.0 | 90.2 | |
| P.F. (%) | 6.5 | 47.0 | 68.0 | 78.0 | 82.0 | 83.5 | 83.5 | 42.0 |

Motor Speed Data

| | LR | Pull-Up | BD | Rated | Idle |
|----------------|------|---------|------|-------|------|
| Speed (RPM) | 0 | 900 | 1675 | 1765 | 1800 |
| Current (Amps) | 64.0 | 57.6 | 36.8 | 10.0 | 4.0 |
| Torque (ft-lb) | 60.0 | 54.0 | 81.0 | 29.8 | 0.00 |

Information Block

| | |
|-----------------------------|-------------------------|
| HP | 10.0 |
| Sync. RPM | 1800 |
| Frame | 215 |
| Enclosure | TEFC |
| Construction | TFN |
| Voltage | 575 V |
| Frequency | 60 Hz |
| Design | B |
| LR Code letter | G |
| Service Factor | 1.15 |
| Temp Rise @ FL | 55 °C |
| Duty | CONT |
| Ambient | 40 °C |
| Elevation | 1,000 feet |
| Rotor/Shaft wk ² | 1.20 Lb-Ft ² |
| Ref Wdg | K2154249 NONE |
| Sound Pressure @ 1M | 62 dBA |
| VFD Rating | CONSTANT 10:1 |
| Outline Dwg | 037660-1212 |
| Conn. Diag | A-EE7300T |



Additional Specifications:

0

0

EQUIV CKT (OHMS / PHASE)

| R1 | R2 | X1 | X2 | Xm |
|--------|--------|--------|--------|---------|
| 0.8430 | 0.7630 | 3.2700 | 5.0140 | 79.8750 |

Speed -Torque Curve

