

PRODUCT INFORMATION PACKET

marathon[®]
Motors

Model No: 215TTGN16531
Catalog No: 215TTGN16531
10,1800,EPFC,215T,3/60/230/460

Regal and Marathon are trademarks of Regal Rexnord Corporation or one of its affiliated companies.
©2024 Regal Rexnord Corporation, All Rights Reserved. MC017097E

The logo for Regal Rexnord, featuring a stylized 'R' icon followed by the text 'RegalRexnord'.

Nameplate Specifications

Phase	3	Output HP	10 Hp
Output KW	7.5 kW	Voltage	230/460 V
Speed	1765 rpm	Service Factor	1.15
Frame	215T	Enclosure	Explosion Proof Fan cooled
Thermal Protection	Thermostat	Efficiency	91.7 %
Ambient Temperature	40 °C	Frequency	60 Hz
Current	25.0/12.5 A	Power Factor	82
Duty	Continuous	Insulation Class	F
Design Code	B	KVA Code	G
Drive End Bearing Size	307	Opp Drive End Bearing Size	208
UL	No	CSA	N
CE	N	IP Code	54
Number of Speeds	1	Hazardous Location	EXP PROOF CL I GR D T2D

Technical Specifications

Electrical Type	Squirrel Cage Inverter Rated	Starting Method	Line Or Inverter
Poles	4	Rotation	Reversible
Resistance Main	.894 Ohms	Mounting	Rigid Base
Motor Orientation	Horizontal	Drive End Bearing	Ball
Opp Drive End Bearing	Ball	Frame Material	Cast Iron
Shaft Type	T	Assembly/Box Mounting	F1 ONLY
Inverter Load	CONSTANT 2:1		
Outline Drawing	037660-1212	Connection Drawing	A-EE7308BT

This is an uncontrolled document once printed or downloaded and is subject to change without notice. Date Created:09/07/2024

4

3

2

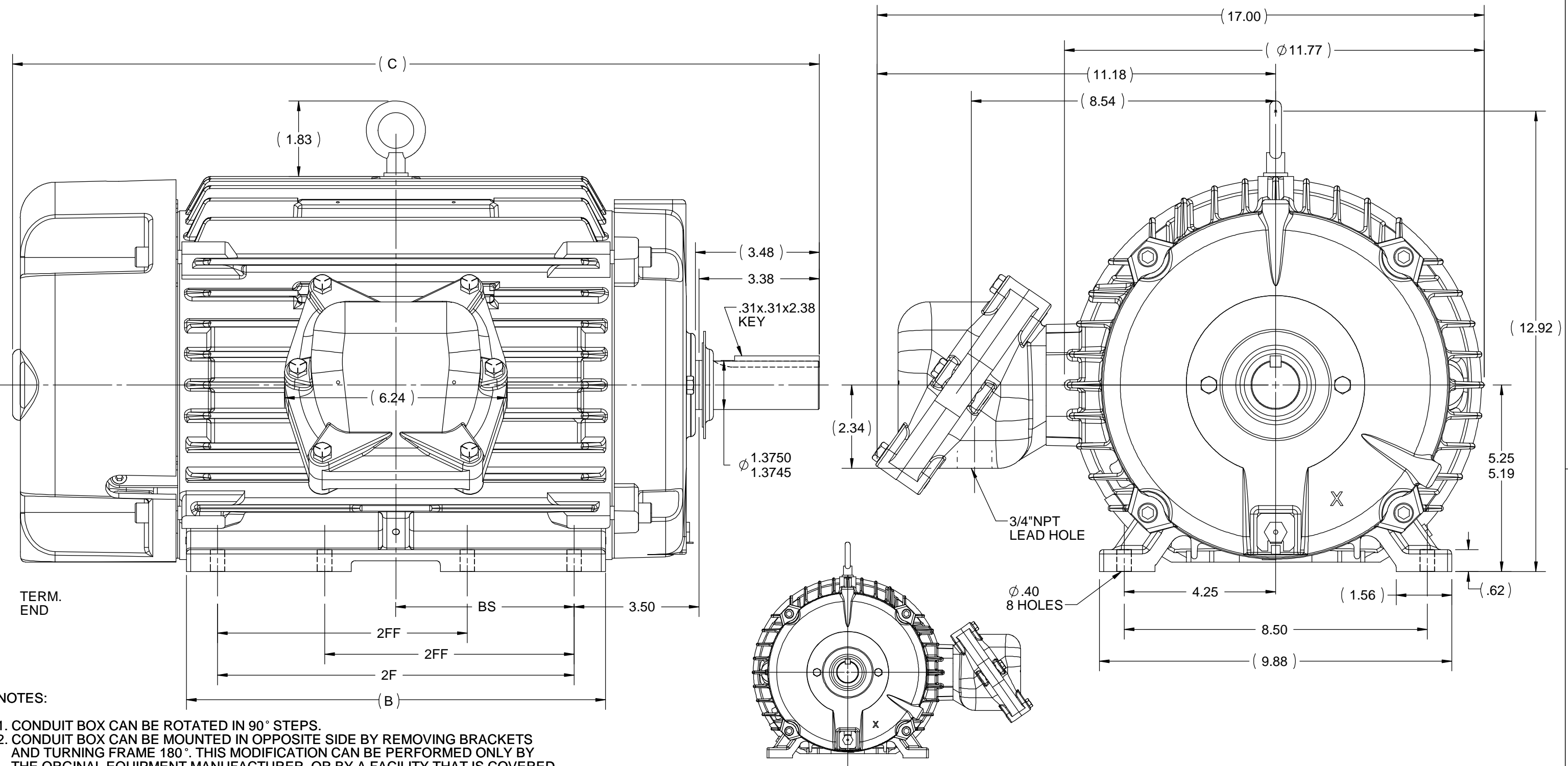
1

B

B

A

A



TERM.
END

NOTES:

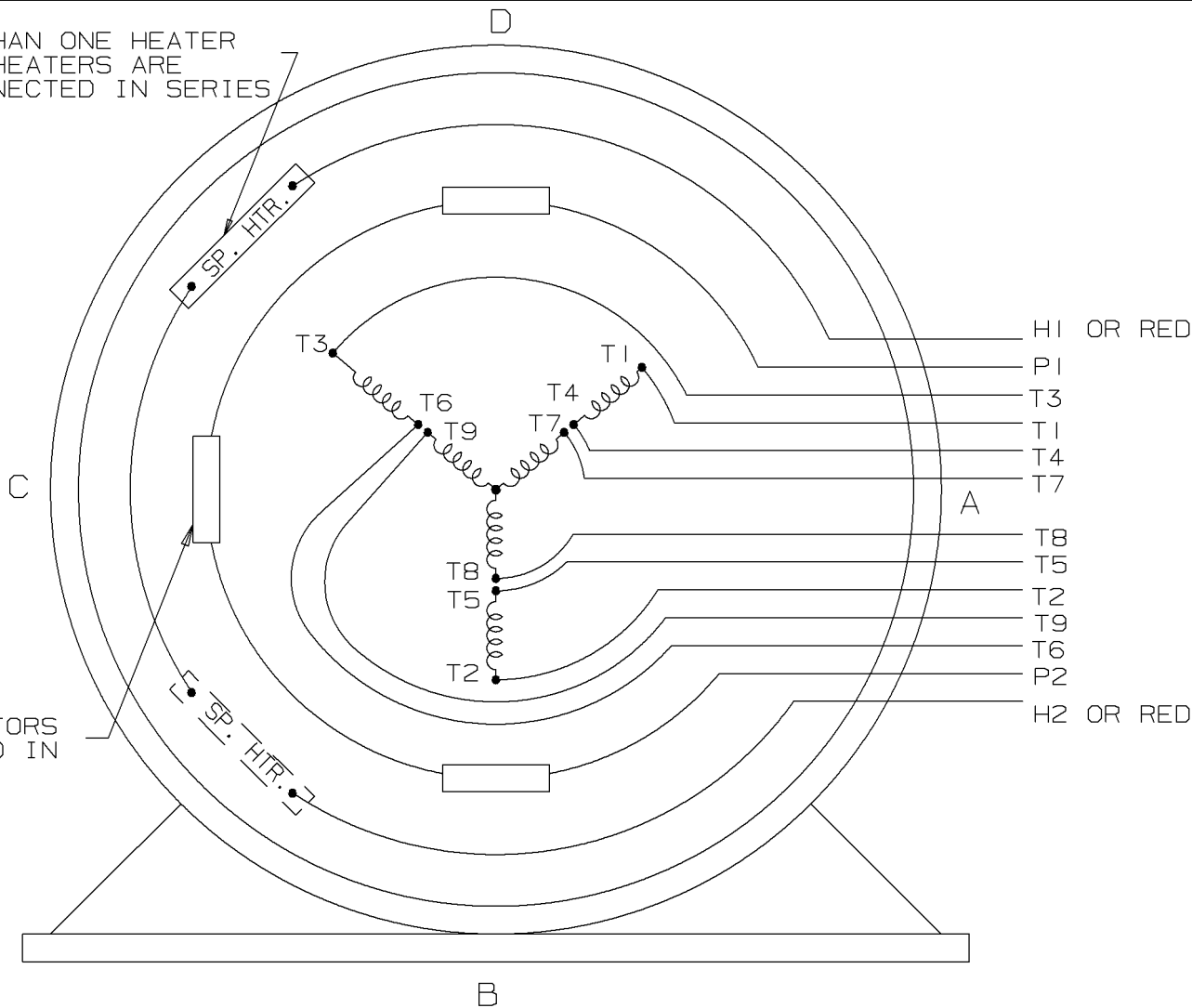
1. CONDUIT BOX CAN BE ROTATED IN 90° STEPS.
2. CONDUIT BOX CAN BE MOUNTED IN OPPOSITE SIDE BY REMOVING BRACKETS AND TURNING FRAME 180°. THIS MODIFICATION CAN BE PERFORMED ONLY BY THE ORIGINAL EQUIPMENT MANUFACTURER, OR BY A FACILITY THAT IS COVERED UNDER UNDERWRITERS LABORATORIES INC. CATEGORY PTKQ, TITLED "MOTOR AND GENERATORS, REBUILT FOR USE IN HAZARDOUS LOCATION".
3. NAMEPLATE TO BE READ FROM CONDUIT BOX SIDE OF MOTOR.

F2 MOUNTING

1212	215	22.63	11.76	10	7	5
912	213/215	19.63	8.63	7	5.5	3.5
DASH	FRAME	C	B	2F	2FF	BS

DRAWING REVISION G	REVISION BY MVG	DATE 02/08/2019	TOLERANCES UNLESS OTHERWISE SPECIFIED: DEC. INCH [mm] ANGLE .X ±0.1 [±2.5] ±7° 30" .XX ±0.03 [±0.76] .XXX ±0.005 [±0.127] .XXXX ±0.0005 [±0.0127]	DRAWN BY AK 10/28/2009	Regal Beloit America, Inc.		
ECO ECO-0139404	APPROVED BY SR	DATE 02/08/2019	REMOVE BURRS & BREAK SHARP EDGES: .003/.015 [.076/.381] X 45° CORNER FILLETS: R.02 [.51] MACHINED SURFACES: 200 INCH/mm 5.1 mm SHOWN IN [BRACKETS]	DATE			
ECO DESCRIPTION OUTLINE UPDATED AS PER ECR-0149056 COPYRIGHT REGAL BELOIT AMERICA, INC. ALL RIGHTS RESERVED. PROPRIETARY AND CONFIDENTIAL INFORMATION - THIS DOCUMENT IS THE PROPERTY OF REGAL BELOIT AMERICA, INC. ("OWNER") AND CONTAINS OWNER'S PROPRIETARY INFORMATION. ANY PERSON, CORPORATION OR OTHER FIRM RECEIVING IT IS DEEMED, BY RECEIVING IT, TO AGREE THAT IT, AND/OR ANY PART OF IT, SHALL NOT BE DISCLOSED TO ANY PERSON, CORPORATION OR OTHER ENTITY, DUPLICATED, AND/OR USED, EXCEPT AS EXPRESSLY APPROVED IN WRITING IN ADVANCE BY OWNER. THIS DOCUMENT SHALL BE RETURNED TO OWNER UPON REQUEST. IT MAY BE SUBJECT TO CERTAIN RESTRICTIONS UNDER APPLICABLE EXPORT CONTROL LAWS AND REGULATIONS.				APPROVED BY	DESCRIPTION OUTLINE 210 FR. - EPFC		
				REFERENCE SS84370	MATERIAL PROCESS/FINISH		
				THIRD ANGLE PROJECTION	SIZE B	DRAWING NUMBER 037660	SHEET 1 OF 1

NOTE:
IF MORE THAN ONE HEATER
IS USED, HEATERS ARE
TO BE CONNECTED IN SERIES

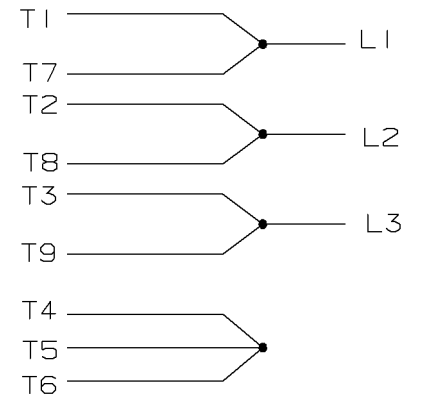


NOTE:
3 PROTECTORS
CONNECTED IN
SERIES

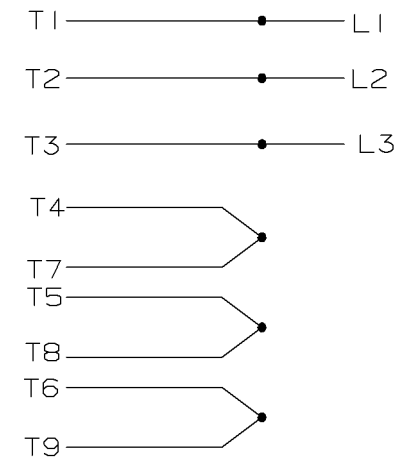
VIEW OF TERMINAL END

A- EE7308BT

LOW VOLTAGE



HIGH VOLTAGE



				✓ MAX. SURFACE ROUGHNESS UNLESS NOTED OTHERWISE	UNLESS OTHERWISE SPECIFIED DIMENSIONS ARE IN INCHES TOL. ON XX±.020 XXX±.005 XXXX±.0005 ANGLES± 7'30"	
				MATL SPEC	DRAWN BY PGK 09-18-1996	
				FINISH	CHKD BY KL 10-01-1996	
2	10-01-1996	REDRAWN ON CADD & REVISE TO HAVE LEADS FOR HEATER MARK HI OR H2 CN 22696		PGK	APPD BY ML 10-01-1996	
REV	DATE	CHANGE		NAME	DRWG NO	
				PART NAME CONNECTION DIAGRAM THREE PHASE - DUAL VOLTAGE MOTOR	A- EE7308BT	

SHOP BOOK

PURCHASED

DISTRIBUTION - WA - LB - WP - LM - BR

CADD FILE NO.

EE7308BT