

# PRODUCT INFORMATION PACKET

**marathon®**  
Motors

Model No: 215TTGCD6528

Catalog No: C367C

Hazardous Duty® Explosion Proof Motor, 10 & 7.50 HP, 3 Ph, 60 & 50 Hz, 230/460 & 190/380 V,  
1800 & 1500 RPM, 215TC Frame, EPFC



Regal and Marathon are trademarks of Regal Rexnord Corporation or one of its affiliated companies.  
©2023 Regal Rexnord Corporation, All Rights Reserved. MC017097E

**RegalRexnord**

### Nameplate Specifications

Phase	<b>3</b>	Output HP	<b>10 &amp; 7.50 Hp</b>
Output KW	<b>7.5 &amp; 5.6 kW</b>	Voltage	<b>230/460 &amp; 190/380 V</b>
Speed	<b>1762 &amp; 1465 rpm</b>	Service Factor	<b>1.00 &amp; 1.00</b>
Frame	<b>215TC</b>	Enclosure	<b>Explosion Proof Fan cooled</b>
Thermal Protection	<b>Thermostat</b>	Efficiency	<b>91.7 &amp; 91 %</b>
Ambient Temperature	<b>50 °C</b>	Frequency	<b>60 &amp; 50 Hz</b>
Current	<b>25/12.5 &amp; 23.2/11.6 A</b>	Power Factor	<b>81.3</b>
Duty	<b>Continuous</b>	Insulation Class	<b>F</b>
Design Code	<b>B</b>	KVA Code	<b>H</b>
Drive End Bearing Size	<b>6309</b>	Opp Drive End Bearing Size	<b>6208</b>
UL	<b>UL Listed And CSA Certified</b>	CSA	<b>Y</b>
CE	<b>N</b>	IP Code	<b>54</b>
Number of Speeds	<b>1</b>	Hazardous Location	<b>DIV 1 EXP PROOF CL I GR CD CL II GR FG T3C</b>

### Technical Specifications

Electrical Type	<b>Squirrel Cage Inverter Rated</b>	Starting Method	<b>Line Or Inverter</b>
Poles	<b>4</b>	Rotation	<b>Reversible</b>
Resistance Main	<b>1.155 Ohms</b>	Mounting	<b>Rigid Base</b>
Motor Orientation	<b>Horizontal</b>	Drive End Bearing	<b>Ball</b>
Opp Drive End Bearing	<b>Ball</b>	Frame Material	<b>Cast Iron</b>
Shaft Type	<b>T</b>	Shaft Diameter	<b>1.375 in</b>
Assembly/Box Mounting	<b>F1 ONLY</b>	Inverter Load	<b>CONSTANT 10:1</b>
Outline Drawing	<b>037702-1212</b>	Connection Drawing	<b>A-EE7308T</b>

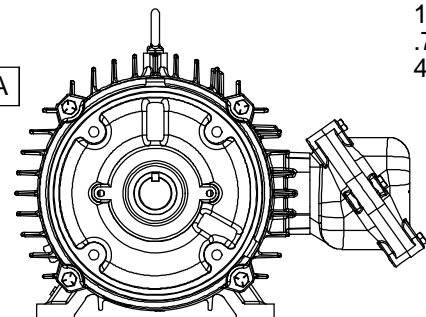
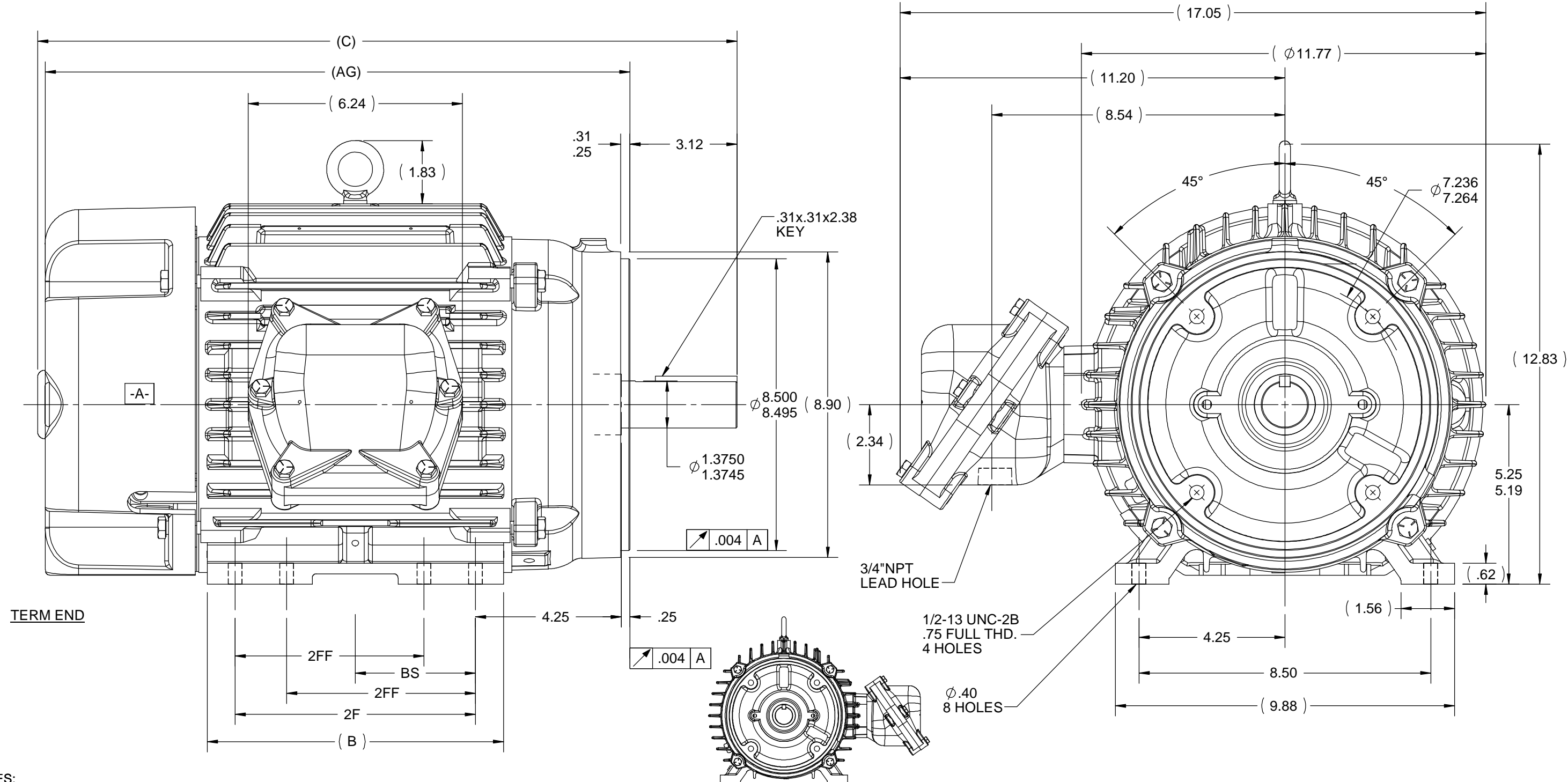
This is an uncontrolled document once printed or downloaded and is subject to change without notice. Date Created:12/07/2023

B

B

A

A



NOTES:

- 1. CONDUIT BOX CAN BE ROTATED IN 90 ° STEPS.
- 2. CONDUIT BOX CAN BE MOUNTED IN OPPOSITE SIDE BY REMOVING BRACKETS AND TURNING FRAME 180 °. THIS MODIFICATION CAN BE PERFORMED ONLY BY THE ORIGINAL EQUIPMENT MANUFACTURER, OR BY A FACILITY THAT IS COVERED UNDER UNDERWRITERS LABORATORIES INC. CATEGORY PTKQ, TITLED "MOTOR AND GENERATORS,. REBUILT FOR USE IN HAZARDOUS LOCATION".
- 3. NAMEPLATE TO BE READ FROM CONDUIT BOX SIDE OF MOTOR.

1212	215	23.45	11.76	10	7	5	20.11
912	213/215	20.45	8.63	7	5.5	3.5	17.11
DASH	FRAME	C	B	2F	2FF	BS	AG

DRAWING REVISION F	REVISION BY MVG	DATE 02/14/2018
ECO ECO-0139688	APPROVED BY ST	DATE 02/14/2018
ECO DESCRIPTION <b>UPDATED PER ECO</b> COPYRIGHT REGAL BELOIT AMERICA, INC. ALL RIGHTS RESERVED. PROPRIETARY AND CONFIDENTIAL INFORMATION - THIS DOCUMENT IS THE PROPERTY OF REGAL BELOIT AMERICA, INC. ("OWNER") AND CONTAINS OWNER'S PROPRIETARY INFORMATION. ANY PERSON, CORPORATION OR OTHER FIRM RECEIVING IT IS DEEMED, BY RECEIVING IT, TO AGREE THAT IT, AND/OR ANY PART OF IT, SHALL NOT BE DISCLOSED TO ANY PERSON, CORPORATION OR OTHER ENTITY, DUPLICATED, AND/OR USED, EXCEPT AS EXPRESSLY APPROVED IN WRITING IN ADVANCE BY OWNER. THIS DOCUMENT SHALL BE RETURNED TO OWNER UPON REQUEST. IT MAY BE SUBJECT TO CERTAIN RESTRICTIONS UNDER APPLICABLE EXPORT CONTROL LAWS AND REGULATIONS.		

TOLERANCES UNLESS OTHERWISE SPECIFIED:			
DEC.	INCH	mm	ANGLE
.X	±0.1	[±2.5]	±7° 30"
.XX	±0.03	[±0.76]	
.XXX	±0.005	[±0.127]	
.XXXX	±0.0005	[±0.0127]	
REMOVE BURRS & BREAK SHARP EDGES: .003/.015 [.076/.381] X 45 ° CORNER FILLETS: R.02 [.51] MACHINED SURFACES: 200 INCH/mm 5.1 mm SHOWN IN [BRACKETS]			

DRAWN BY PN 9/2/2010
DATE
APPROVED BY
DATE
REFERENCE 037660
THIRD ANGLE PROJECTION

<b>REGAL</b> ™ Regal Beloit America, Inc.	
DESCRIPTION <b>OUTLINE</b> 210 FR. - EPFC	PROCESS/FINISH
MATERIAL	SIZE <b>B</b>
DRAWING NUMBER <b>037702</b>	SHEET 1 OF 1

**HIGH VOLTAGE**



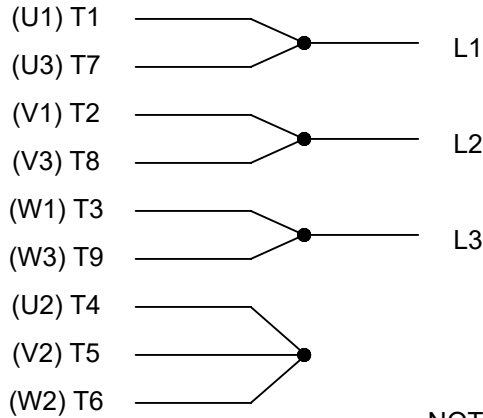
**THREE PHASE  
DUAL VOLTAGE MOTOR**

THERMO-PROTECTORS  
CONNECTED IN SERIES



NOTE FOR FACTORY USE ONLY:  
TO SURGE TEST FOR COMMON CONNECT:  
HIGH VOLT: CONNECT P1 TO T1  
THEN P2 TO L1  
LOW VOLT: CONNECT P1 TO T1 & T7,  
THEN P2 TO L1

**LOW VOLTAGE**



**VIEW OF TERMINAL END**

NOTE: LEAD'S COLOR CAN BE YELLOW OR WHITE FOR MT2 PLANT

DRAWING REVISION T	REVISION BY ZR	DATE 01-14-2019		DRAWN BY SMC	Regal Beloit America, Inc.
ECO ECO-0159915	APPROVED BY DR	DATE 01-15-2019		DATE 05-13-1992	
ECO DESCRIPTION ADDED TERMINAL CONNECTION DIAGRAM				APPROVED BY TB	DESCRIPTION <b>CONN DIAGRAM-INTERNAL</b> 3 PHASE - DUAL VOLTAGE MOTOR
<small>COPYRIGHT REGAL BELOIT AMERICA, INC. ALL RIGHTS RESERVED. PROPRIETARY AND CONFIDENTIAL INFORMATION - THIS DOCUMENT IS THE PROPERTY OF REGAL BELOIT AMERICA, INC. ("OWNER") AND CONTAINS OWNER'S PROPRIETARY INFORMATION. ANY PERSON, CORPORATION OR OTHER FIRM RECEIVING IT IS DEEMED, BY RECEIVING IT, TO AGREE THAT IT, AND/OR ANY PART OF IT, SHALL NOT BE DISCLOSED TO ANY PERSON, CORPORATION OR OTHER ENTITY, DUPLICATED, AND/OR USED, EXCEPT AS EXPRESSLY APPROVED IN WRITING IN ADVANCE BY OWNER. THIS DOCUMENT SHALL BE RETURNED TO OWNER UPON REQUEST. IT MAY BE SUBJECT TO CERTAIN RESTRICTIONS UNDER APPLICABLE EXPORT CONTROL LAWS AND REGULATIONS.</small>				DATE 05-13-1992	MATERIAL
			REFERENCE EE7308/EE7300	SIZE A	DRAWING NUMBER EE7308T



P.O. BOX 8003  
WAUSAU, WI 54401-8003  
PH. 715-675-3311

DATA VOLTS: 460

**CERTIFICATION DATA SHEET**

CUSTOMER: \_\_\_\_\_  
ORDER #: \_\_\_\_\_  
CONN. DIAGRAM: A-EE7308T  
OUTLINE: 037702-1212  
WINDING: HA31324013 R1 2  
SPEED: \_\_\_\_\_

CUSTOMER P.O. #: \_\_\_\_\_  
REFERENCE MODEL #: 215TTGCD6528  
CAT #: C367C  
CUSTOMER PART #: \_\_\_\_\_  
MOUNTING: F1 ONLY  
FAN: 504205B

**TYPICAL MOTOR PERFORMANCE DATA**

HP	KW	SYNC RPM	FL RPM	FRAME	ENCLOSURE	TYPE	KVA CODE	DESIGN
10	7.5	1800	1762	215TC	EPFC	TFC	H	B

PH	HZ	VOLTS	AMPS	START TYPE	DUTY	INSL	S.F.	AMB	ELEV.
3	60/50	230/460#190/380	25/12.5&23.2/11.6	ACROSS THE LINE	CONT	F	1.0	50	3300

F.L. EFF	91.7	3/4 LD EFF	91.8	1/2 LD EFF	90.8	GTD EFF	ELECT. TYPE
F.L. PF	81.3	3/4 LD PF	76.6	1/2 LD PF	66.0	91.0	SQ CAGE IND RUN

F.L. TORQUE	LR AMPS @ 460 V	L.R. TORQUE	B.D. TORQUE	F.L. RISE (° C)
29.8 LB-FT	79.0	59.0 LB-FT 198%	74.0 LB-FT 248%	60

SOUND PRESSURE @	SOUND	ROTOR WK <sup>2</sup>	MAX. LOAD WK <sup>2</sup>	SAFE STALL TIME	STARTS/HOUR	APPROX. MOTOR
62 dBA	71 dBA	1.13 LB-FT <sup>2</sup>	85 LB-FT <sup>2</sup>	25 SEC.	2	210 LB.

**\*\*\* SUPPLEMENTAL INFORMATION \*\*\***

DE BRACKET TYPE	ODE BRACKET TYPE	MOUNT TYPE	MOTOR ORIENTATION	SEVERE DUTY	HAZARDOUS LOCATION	DRIP COVER	SCREENS	PAINT
C-FACE	STANDARD	RIGID	HORIZONTAL	PREMIUM SEVERE DUTY	DIV 1 EXP PROOF CL I GR CD CL II GR FG T3C	NO	NONE	BLUE - RAL 5003 (EPOXY)

BEARINGS	GREASE	SHAFT TYPE	SPECIAL DE	SPECIAL ODE	SHAFT MATERIAL	FRAME MATERIAL
DE ODE BALL BALL 6309 6208	POLYREX EM	T	NONE	NONE	1045 HOT ROLLED (C-204)	CAST IRON

THERMOSTATS	PROTECTORS	WDG RTD's	BRG RTD's	THERMISTORS	CONTROL	SPACE HEATERS
TSTATS (N/C)	NOT	NONE	NONE	NONE	FALSE	NA

R1 (ohms/ph)	R2 (ohms/ph)	X1 (ohms/ph)	X2 (ohms/ph)	Xm (ohms/ph)	VIBRATION (in/sec)	FLOAT
0.741	0.466	2.147	2.579	46.775	0.080	ODE

* N O T E S *	_____	INVERTER TORQUE: NONE INV. HP SPEED RANGE: NONE  ENCODER: NONE  NONE PPR
	_____	
	_____	
	_____	
	_____	

PREPARED BY: _____ DATE: 8/1/2022	BRAKE: NONE NONE NONE FT-LB: NA VOLTAGE: NONE HZ: _____
FORM: 3531 REV_4 2/27/06	UL: NO LETTER - ALL BRANDS-UL LISTED AND CSA CERTIFIED DIV. 1 XP MOTORS

**Data Sheet**

Date: 7/28/2022  
 Customer: \_\_\_\_\_  
 Attention: \_\_\_\_\_  
 Submitted by: \_\_\_\_\_



215TTGCD6528  
 132019.001 FAN  
**Submittal**  
 Data @ **460 V**

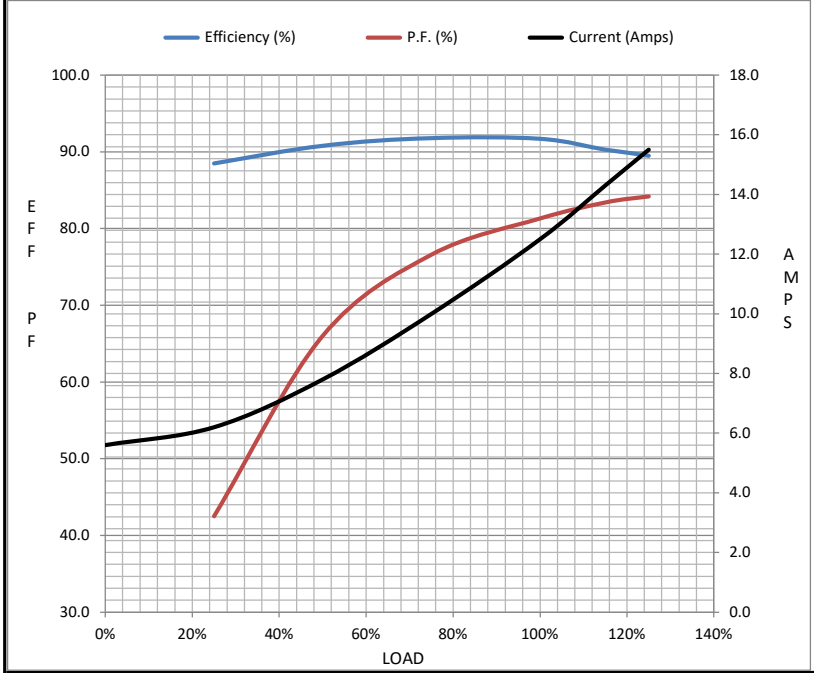
**Motor Load Data**

Load	0%	25%	50%	75%	100%	115%	125%	LR
Current (Amps)	5.6	6.2	7.8	10.0	12.5	14.3	15.5	79.0
Torque (ft-lb)	0.00	7.3	14.7	22.2	29.8	34.4	37.4	59.0
RPM	1800	1792	1782	1772	1762	1,756	1752	0
Efficiency (%)		88.5	90.8	91.8	91.7	90.3	89.5	
P.F. (%)	9.0	42.5	66.0	76.6	81.3	83.4	84.2	44.0

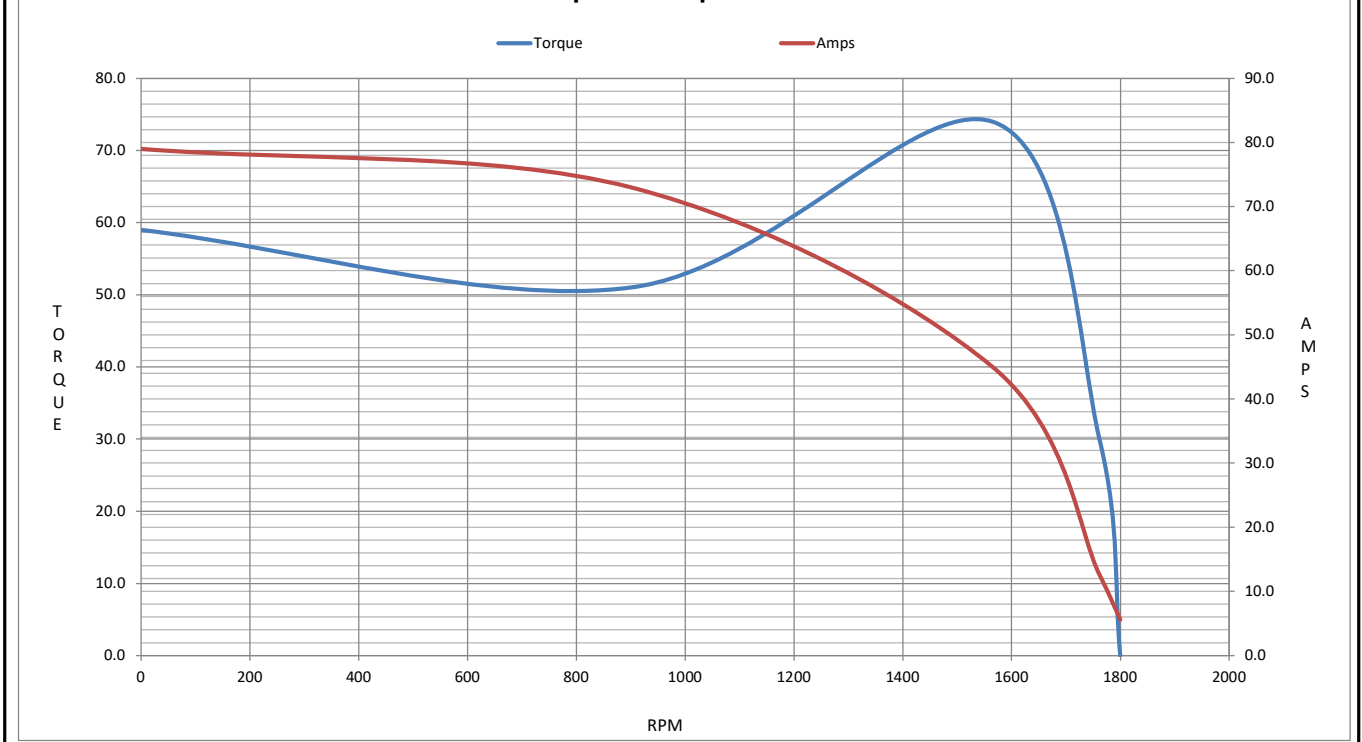
**Motor Speed Data**

	LR	Pull-Up	BD	Rated	Idle
Speed (RPM)	0	900	1565	1762	1800
Current (Amps)	79.0	73.0	45.0	12.5	5.6
Torque (ft-lb)	59.0	51.0	74.0	29.8	0.00

Information Block				
HP	10.0			
Sync. RPM	1800			
Frame	215			
Enclosure	EPFC			
Construction	TFC			
Voltage	230/460#190/380 V			
Frequency	60 Hz			
Design	B			
LR Code letter	H			
Service Factor	1			
Temp Rise @ FL	60 ° C			
Duty	CONT			
Ambient	40 ° C			
Elevation	1,000 feet			
Rotor/Shaft wk <sup>2</sup>	1.13 Lb-Ft <sup>2</sup>			
Ref Wdg	HA31324013 R1			
Sound Pressure @ 1M	62 dBA			
VFD Rating	NONE			
Outline Dwg	037702-1212			
Conn. Diag	A-EE7308T			
Additional Specifications:				
0				
0				
EQUIV CKT (OHMS / PHASE)				
R1	R2	X1	X2	Xm
0.7410	0.4660	2.1470	2.5790	46.7750



**Speed - Torque Curve**



# CERTIFICATE OF COMPLIANCE

**Certificate Number** 20220225- E12044  
**Report Reference** E12044-20090313  
**Issue Date** 2022-FEBRUARY-25

**Issued to:** REGAL BELOIT AMERICA INC  
1946 W COOK RD  
FORT WAYNE IN 46818

Tradename: Marathon

**This certificate confirms that  
representative samples of**

MOTORS FOR USE IN HAZARDOUS LOCATIONS  
Electric motors for use in hazardous locations; Class I,  
Groups C and D; Class II, Groups F and G; Inclusive of  
Model Number 215TTGCD6528 (may have prefix and/or  
suffix characters).

Have been investigated by UL in accordance with the  
Standard(s) indicated on this Certificate.

**Standard(s) for Safety:** UL 674 - Electric Motors and Generators for Use in Division  
1 Hazardous (Classified) Locations,  
CSA C22.2 No. 145, Electric Motors and Generators for  
Use in Hazardous (Classified) Locations

**Additional Information:** See the UL Online Certifications Directory at  
<https://iq.ulprospector.com> for additional information.

This *Certificate of Compliance* does not provide authorization to apply the UL Mark. Only the UL Follow-Up  
Services Procedure provides authorization to apply the UL Mark.

Only those products bearing the UL Mark should be considered as being UL Certified and covered under UL's  
Follow-Up Services.

Look for the UL Certification Mark on the product.

This is to certify that representative samples of the product as specified on this certificate were tested  
according to the current UL requirements.



Bruce Mahrenholz, Director North American Certification Program  
UL LLC



Any information and documentation involving UL Mark services are provided on behalf of UL LLC (UL) or any authorized licensee of UL. For questions, please  
contact a local UL Customer Service Representative at <http://ul.com/aboutul/locations/>