

# PRODUCT INFORMATION PACKET

Model No: 215TTFW7317

Catalog No: M884

Other Purpose Motor, 10 HP, 3 Ph, 60 Hz, 230/460 V, 3600 RPM, 215HPV Frame, TEFC

Regal and are trademarks of Regal Rexnord Corporation or one of its affiliated companies.  
©2022 Regal Rexnord Corporation, All Rights Reserved. MC017097E

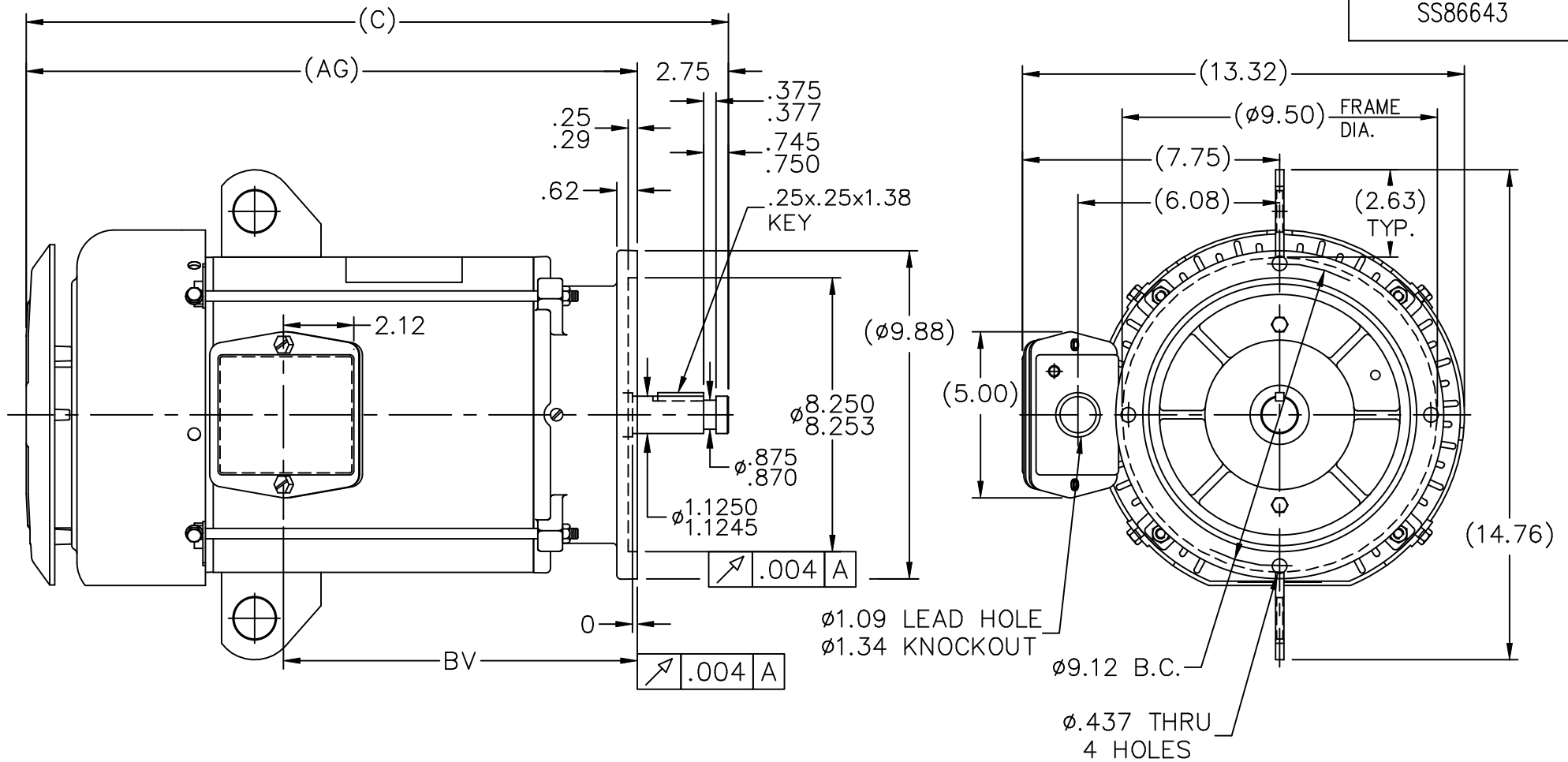


**Nameplate Specifications**

Output HP	<b>10 Hp</b>	Output KW	<b>7.5 kW</b>
Frequency	<b>60 Hz</b>	Voltage	<b>230/460 V</b>
Current	<b>24.0/12.0 A</b>	Speed	<b>3465 rpm</b>
Service Factor	<b>1.15</b>	Phase	<b>3</b>
Efficiency	<b>86.5 %</b>	Power Factor	<b>91</b>
Duty	<b>Continuous</b>	Insulation Class	<b>F</b>
Design Code	<b>B</b>	KVA Code	<b>H</b>
Frame	<b>215HPV</b>	Enclosure	<b>Totally Enclosed Fan Cooled</b>
Thermal Protection	<b>No Protection</b>	Ambient Temperature	<b>40 °C</b>
Drive End Bearing Size	<b>6309</b>	Opp Drive End Bearing Size	<b>6206</b>
UL	<b>Recognized</b>	CSA	<b>Y</b>
CE	<b>Y</b>	IP Code	<b>43</b>
Number of Speeds	<b>1</b>		

**Technical Specifications**

Electrical Type	<b>Squirrel Cage Induction Run</b>	Starting Method	<b>Across The Line</b>
Poles	<b>2</b>	Rotation	<b>Reversible</b>
Resistance Main	<b>1.33 Ohms</b>	Mounting	<b>Round</b>
Motor Orientation	<b>Shaft Down</b>	Drive End Bearing	<b>Ball</b>
Opp Drive End Bearing	<b>Ball</b>	Frame Material	<b>Rolled Steel</b>
Shaft Type	<b>HP</b>	Overall Length	<b>22.66 in</b>
Frame Length	<b>11.15 in</b>	Shaft Diameter	<b>1.125 in</b>
Shaft Extension	<b>2.75 in</b>	Assembly/Box Mounting	<b>F1/F2 CAPABLE</b>
Connection Drawing	<b>A-EE7308</b>	Outline Drawing	<b>A-SS86643-1115</b>



DASH	FR.	C	AG	BV
965	213T	21.16	18.41	10.66
1115	213/15T	22.66	19.91	12.16
1240	213/15T	23.91	21.16	13.41

- NOTES:
- NAMEPLATE TO BE READ FROM SHAFT EXT. END OF MOTOR.
  - BOX CAN BE MOUNTED IN 90° STEPS.

NO.	REVISION	BY & DATE	CHK	ANG	TOLERANCES UNLESS SPECIFIED		MARATHON ELECTRIC	DRAWN MRB 11-05-1996								
					DEC.	INCHES		CHK	ML	APPD	DN	SCALE	7=32			
7	UPDATED DRAWING	TJW 04/30/2007			DEC.	INCHES	 TITLE OUTLINE 210T FR.-TEFC-P' BASE-R/S FRAME MAT'L. FINISH	CHK	ML	APPD	DN	SCALE	7=32			
6	REDRAWN IN AUTOCAD	TAT 07-22-2004	ML	.X	±.1	REF		FMF	PREV							
5	ADDED Ø9.12 B.C. & Ø.437 (4) HOLES	CN 29200-1501	HLB	02-27-2001	.XX	±.03										
4	UPDATED C' BOX GEOMETRY	CN 28425	DRS	01-31-2000	.XXX	±.005										
3	REMOVED GROUND SCREW FROM FRAME	CN 24453	MJD	10-01-1997	.XXXX	±.0005										
					RFP		CAD FILE	ss86643	SIZE	A	DRAWING NO.	SS86643	PAGE	OF	REV.	7
					DIST	LB										

EE7308

THREE PHASE  
DUAL VOLTAGE MOTOR



VIEW OF TERMINAL END

REF.  
WINDING DIAGRAM

T8Y, T2Y, T2BL, T4BX, T2EC, T2G  
T6BZ, T2B, T6BL, T4AV, T6B, T4B

OPTIONAL CORD  
CONNECTION

L1 — WHITE  
L2 — RED  
L3 — BLACK

NO.	REVISION	BY & DATE	CHK	ANG	TOLERANCES UNLESS SPECIFIED		FINISH	DRAWN RM 11/20/1990				
					DEC.	INCHES						
5	CHG TO REGAL LOGO	SL 09/10/2015	AB					CHK ML 11/21/1990				
4	REVISED IEC NOTATIONS	MSG 11/15/2011	CMN	.X	±.1			APPD SAS 04/24/2003				
3	ADDED IEC NOTATIONS... (U1), (V1) ETC. MU95194	MSG 5/10/2010	MJS	.XX	±.02			SCALE 1=1				
2	ADDED THE OPTIONAL CORD CONNECTION MU46318	RDH 04/24/2003	DRS	.XXX	±.005		TITLE CONNECTION DIAGRAM 3Ø - DUAL VOLTAGE MOTOR	REF				
1	REDRAWN	RM 11/20/1990		.XXXX	±.0005		MAT'L.	FMF				
					±7'30"			PREV				
THIS DRAWING IN DESIGN AND DETAIL IS OUR PROPERTY AND MUST NOT BE USED EXCEPT IN CONNECTION WITH OUR WORK ALL RIGHTS OF DESIGN AND INVENTION ARE RESERVED THIS IS AN ELECTRONICALLY GENERATED DOCUMENT - DO NOT SCALE THIS PRINT							RFP	CAD FILE ee7308	SIZE A	DRAWING NO. EE7308	PAGE OF 5	REV. 5
							DIST WP					



Regal Beloit America, Inc.