

PRODUCT INFORMATION PACKET

marathon[®]
Motors

Model No: 215TTFW7096

Catalog No: C254

Other Purpose Motor, 5 & 3 HP, 3 Ph, 60 & 50 Hz, 208-230/460 & 190/380 V, 1200 & 1000 RPM,
215TC Frame, TEFC

Regal and Marathon are trademarks of Regal Rexnord Corporation or one of its affiliated companies.

©2023 Regal Rexnord Corporation, All Rights Reserved. MC017097E

The logo for Regal Rexnord, featuring a stylized 'R' icon followed by the text 'RegalRexnord'.

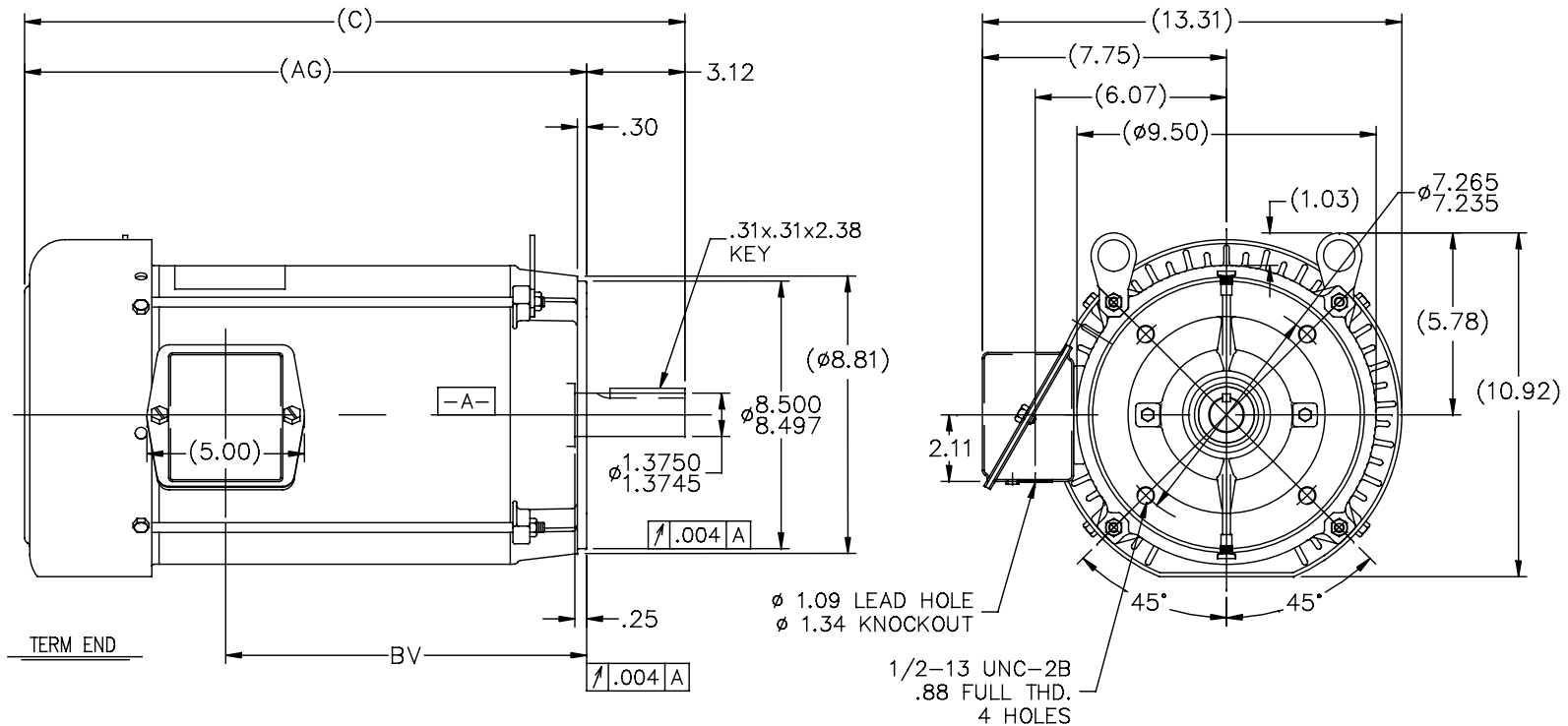
Nameplate Specifications

Phase	3	Output HP	5 & 3 Hp
Output KW	3.7 & 2.2 kW	Voltage	208-230/460 & 190/380 V
Speed	1155 & 970 rpm	Service Factor	1.15 & 1.15
Frame	215TC	Enclosure	Totally Enclosed Fan Cooled
Thermal Protection	No Protection	Efficiency	84 & 85.5 %
Ambient Temperature	40 °C	Frequency	60 & 50 Hz
Current	16-14.8/7.4 & 11.8/5.9 A	Power Factor	75.5
Duty	Continuous	Insulation Class	B
Design Code	B	KVA Code	J
Drive End Bearing Size	6309	Opp Drive End Bearing Size	6206
UL	Recognized	CSA	Y
CE	Y	IP Code	43
Number of Speeds	1		

Technical Specifications

Electrical Type	Squirrel Cage Induction Run	Starting Method	Across The Line
Poles	6	Rotation	Reversible
Resistance Main	2.68 Ohms	Mounting	Round
Motor Orientation	Horizontal	Drive End Bearing	Ball
Opp Drive End Bearing	Ball	Frame Material	Rolled Steel
Shaft Type	T	Overall Length	20.96 in
Frame Length	11.15 in	Shaft Diameter	1.375 in
Shaft Extension	3.38 in	Assembly/Box Mounting	F1/F2 CAPABLE
Outline Drawing	A-SS86634-1115	Connection Drawing	A-EE7308

SS86634



DASH	FR.	C	AG	BV	MOUNTING
965	213T	19.46	16.34	9.96	
1115	213/15T	20.96	17.84	11.46	
1240	213/15T	22.21	19.09	12.71	

NOTES:
 1. NAMEPLATE TO BE READ FROM C'BOX SIDE OF MOTOR.
 2. BOX CAN BE MOUNTED IN 90° STEPS.

NO.	REVISION	BY & DATE	CHK	ANG	±7'30"	FINISH	TOLERANCES UNLESS SPECIFIED		DRAWN DRS 10-02-1996				
							DEC.	INCHES					
6	UPDATED TO REGAL LOGO	SAJ 07/21/15	AJA						CHK ML 10-03-1996				
5	REDRAWN IN AUTOCAD	TAT 06-29-2004	ML						APPD DN 10-04-1996				
4	UPDATED C' BOX GEOMETRY CN 28425	DRS 01-31-2000		.X	±.1				SCALE 1=5				
3	REMOVED GROUND SCREW FROM FRAME CN 24453	DRS 10-01-1997		.XX	±.03	TITLE OUTLINE			REF				
2	REMOVED NOTE: BOX CAN BE MOUNTED ON OPPOSITE SIDE OF MOTOR CN 23925-459	MJD 09-02-1997		.XXX	±.005	210T FR. -BB -TS -TEFC -R/S -C' FACE			REF				
				.XXXX	±.0005	MAT'L.			FMF				
									PREV				
THIS DRAWING IN DESIGN AND DETAIL IS OUR PROPERTY AND MUST NOT BE USED EXCEPT IN CONNECTION WITH OUR WORK ALL RIGHTS OF DESIGN AND INVENTION ARE RESERVED THIS IS AN ELECTRONICALLY GENERATED DOCUMENT - DO NOT SCALE THIS PRINT						RFP	CAD FILE	ss86634	SIZE	DRAWING NO.	PAGE	OF	REV.
						DIST	LB		A	SS86634	6		6



EE7308

THREE PHASE
DUAL VOLTAGE MOTOR



VIEW OF TERMINAL END

REF.
WINDING DIAGRAM

T8Y, T2Y, T2BL, T4BX, T2EC, T2G
T6BZ, T2B, T6BL, T4AV, T6B, T4B

OPTIONAL CORD
CONNECTION

L1 — WHITE
L2 — RED
L3 — BLACK

NO.	REVISION	BY & DATE	CHK	ANG	TOLERANCES UNLESS SPECIFIED		FINISH	DRAWN RM 11/20/1990				
					DEC.	INCHES						
5	CHG TO REGAL LOGO	SL 09/10/2015	AB					CHK ML 11/21/1990				
4	REVISED IEC NOTATIONS	MSG 11/15/2011	CMN	.X	±.1			APPD SAS 04/24/2003				
3	ADDED IEC NOTATIONS... (U1), (V1) ETC. MU95194	MSG 5/10/2010	MJS	.XX	±.02		TITLE CONNECTION DIAGRAM	SCALE 1=1				
2	ADDED THE OPTIONAL CORD CONNECTION MU46318	RDH 04/24/2003	DRS	.XXX	±.005		3Ø - DUAL VOLTAGE MOTOR	REF				
1	REDRAWN	RM 11/20/1990		.XXXX	±.0005		MAT'L.	FMF				
					±7'30"			PREV				
THIS DRAWING IN DESIGN AND DETAIL IS OUR PROPERTY AND MUST NOT BE USED EXCEPT IN CONNECTION WITH OUR WORK ALL RIGHTS OF DESIGN AND INVENTION ARE RESERVED THIS IS AN ELECTRONICALLY GENERATED DOCUMENT - DO NOT SCALE THIS PRINT							RFP	CAD FILE ee7308	SIZE A	DRAWING NO. EE7308	PAGE OF 5	REV. 5
							DIST WP					



Regal Beloit America, Inc.