

PRODUCT INFORMATION PACKET

marathon[®]
Motors

Model No: 215TTFW7024

Catalog No: M217

Other Purpose Motor, 15 & 10 HP, 3 Ph, 60 & 50 Hz, 208-230/460 & 190/380 V, 3600 & 3000 RPM,
215JP Frame, TEFC

Regal and Marathon are trademarks of Regal Rexnord Corporation or one of its affiliated companies.

©2023 Regal Rexnord Corporation, All Rights Reserved. MC017097E

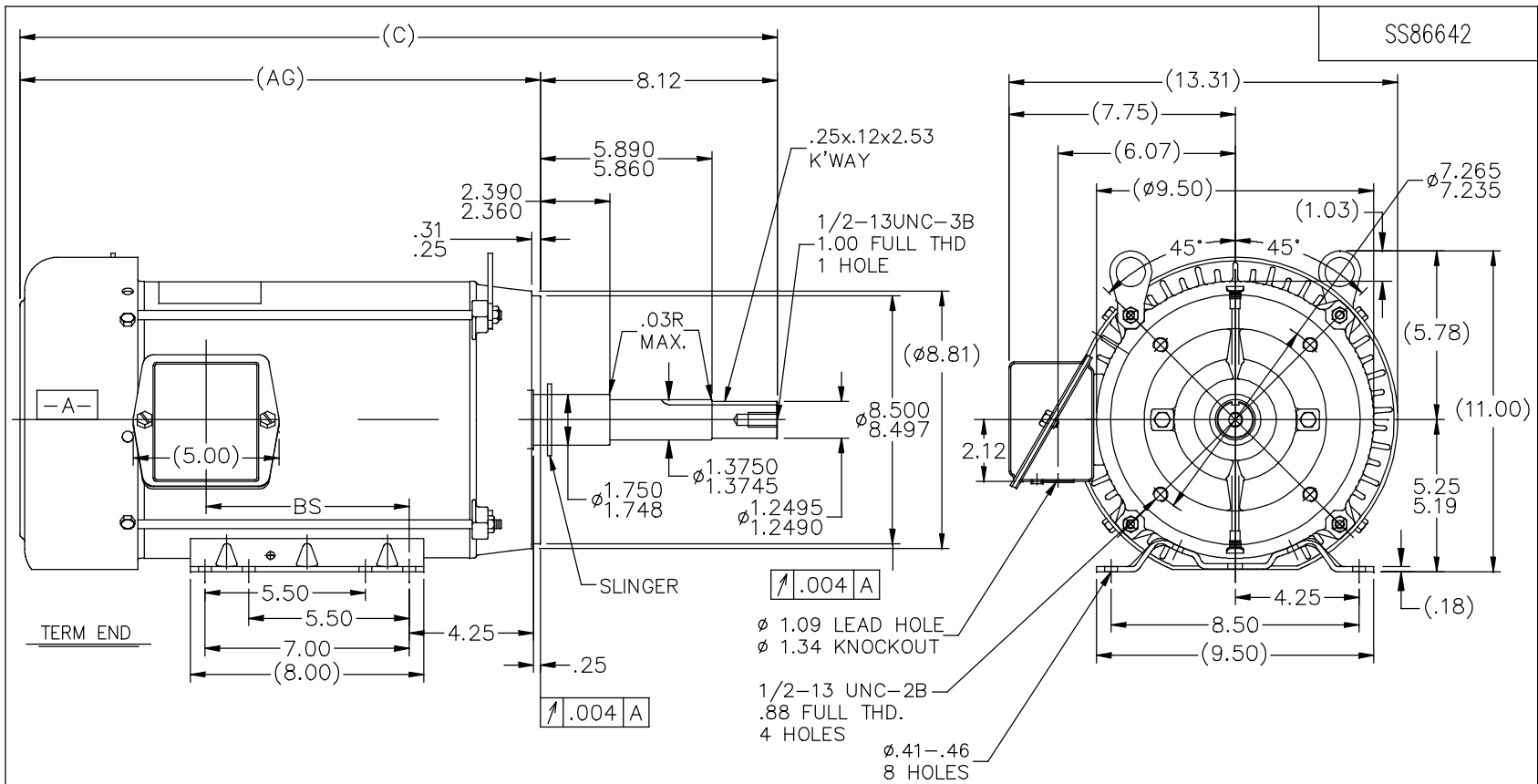
RegalRexnord

Nameplate Specifications

Phase	3	Output HP	15 & 10 Hp
Output KW	11.2 & 7.5 kW	Voltage	208-230/460 & 190/380 V
Speed	3520 & 2945 rpm	Service Factor	1.15 & 1.15
Frame	215JP	Enclosure	Totally Enclosed Fan Cooled
Thermal Protection	No Protection	Efficiency	88.5 %
Ambient Temperature	40 °C	Frequency	60 & 50 Hz
Current	40-37/18.5 & 31/15.5 A	Power Factor	86
Duty	Continuous	Insulation Class	B
Design Code	B	KVA Code	G
Drive End Bearing Size	6309	Opp Drive End Bearing Size	6206
UL	Recognized	CSA	Y
CE	Y	IP Code	43
Number of Speeds	1		

Technical Specifications

Electrical Type	Squirrel Cage Induction Run	Starting Method	Across The Line
Poles	2	Rotation	Reversible
Resistance Main	.75 Ohms	Mounting	Rigid Base
Motor Orientation	Horizontal	Drive End Bearing	Ball
Opp Drive End Bearing	Ball	Frame Material	Rolled Steel
Shaft Type	JP	Overall Length	25.96 in
Frame Length	11.15 in	Shaft Diameter	1.250 in
Shaft Extension	8.15 in	Assembly/Box Mounting	F1/F2 CAPABLE
Connection Drawing	A-EE7308	Outline Drawing	A-SS86642-1115

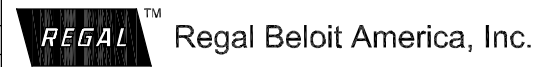


DASH	FR.	C	AG	BS	MOUNTING
965	213JP	24.46	16.34	5.43	
1115	213/15JP	25.96	17.84	6.93	
1240	213/15JP	27.21	19.09	8.18	F1 ONLY

NOTES:

1. NAMEPLATE TO BE READ FROM C'BOX SIDE OF MOTOR.
2. BOX CAN BE MOUNTED IN 90° STEPS.
3. BOX CAN BE MOUNTED ON OPPOSITE SIDE BY REMOVING BRACKETS AND TURNING FRAME 180°. (EXCEPT AS NOTED.)

NO.	REVISION	BY & DATE	CHK	ANG	FINISH	TOLERANCES UNLESS SPECIFIED		DRAWN MH 11-01-1996			
						DEC.	INCHES				
7	UPDATED TO REGAL LOGO	MVG 11/01/2017	SR					CHK ML 11-05-1996			
6	UPDATED DRAWING	TJW 04/30/2007						APPD DN 11-06-1996			
5	REDRAWN IN AUTOCAD	TAT 07-13-2004	ML	.X	±.1			SCALE 1=5			
4	UPDATED C' BOX GEOMETRY CN 28425	DRS 01-31-2000		.XX	±.03	TITLE OUTLINE		REF			
3	REVISED MOUNTING HOLES ON C' FACE WAS .75	MJD 06-18-1998		.XXX	±.005	210JP FR.-BB-TS-TEFC-R/S-C' FACE		REF			
	FULL THREAD CN 25600-210			.XXXX	±.0005	MAT'L.		FMF			
				ANG	±7°30"			PREV			
THIS DRAWING IN DESIGN AND DETAIL IS OUR PROPERTY AND MUST NOT BE USED EXCEPT IN CONNECTION WITH OUR WORK ALL RIGHTS OF DESIGN AND INVENTION ARE RESERVED THIS IS AN ELECTRONICALLY GENERATED DOCUMENT - DO NOT SCALE THIS PRINT						RFP	CAD FILE ss86642	SIZE A	DRAWING NO. SS86642	PAGE OF 7	REV. 7
						DIST LB					



EE7308

THREE PHASE
DUAL VOLTAGE MOTOR



VIEW OF TERMINAL END

REF.
WINDING DIAGRAM

T8Y, T2Y, T2BL, T4BX, T2EC, T2G
T6BZ, T2B, T6BL, T4AV, T6B, T4B

OPTIONAL CORD
CONNECTION

L1 — WHITE
L2 — RED
L3 — BLACK

NO.		REVISION		BY & DATE		CHK		ANG		FINISH		PREV									
5	CHG TO REGAL LOGO	SL	09/10/2015	AB																	
4	REVISED IEC NOTATIONS	MSG	11/15/2011	CMN	.X	±.1															
3	ADDED IEC NOTATIONS... (U1), (V1) ETC. MU95194	MSG	5/10/2010	MJS	.XX	±.02															
2	ADDED THE OPTIONAL CORD CONNECTION MU46318	RDH	04/24/2003	DRS	.XXX	±.005															
1	REDRAWN	RM	11/20/1990		.XXXX	±.0005															
THIS DRAWING IN DESIGN AND DETAIL IS OUR PROPERTY AND MUST NOT BE USED EXCEPT IN CONNECTION WITH OUR WORK ALL RIGHTS OF DESIGN AND INVENTION ARE RESERVED THIS IS AN ELECTRONICALLY GENERATED DOCUMENT - DO NOT SCALE THIS PRINT										RFP		CAD FILE ee7308		SIZE A		DRAWING NO. EE7308		PAGE OF 5		REV. 5	
										DIST WP											

REGAL™ Regal Beloit America, Inc. DRAWN RM 11/20/1990
CHK ML 11/21/1990
APPD SAS 04/24/2003

TITLE CONNECTION DIAGRAM
3Ø - DUAL VOLTAGE MOTOR
SCALE 1=1
REF
FMF