

PRODUCT INFORMATION PACKET

Model No: 215TTFS6530
Catalog No: E672
10 HP Severe Duty Motor, 3 phase, 1800 RPM, 575 V, 215T Frame, TEFC
Severe Duty Motors



Regal and Marathon are trademarks of Regal Rexnord Corporation or one of its affiliated companies.
©2021 Regal Rexnord Corporation, All Rights Reserved. MC017097E



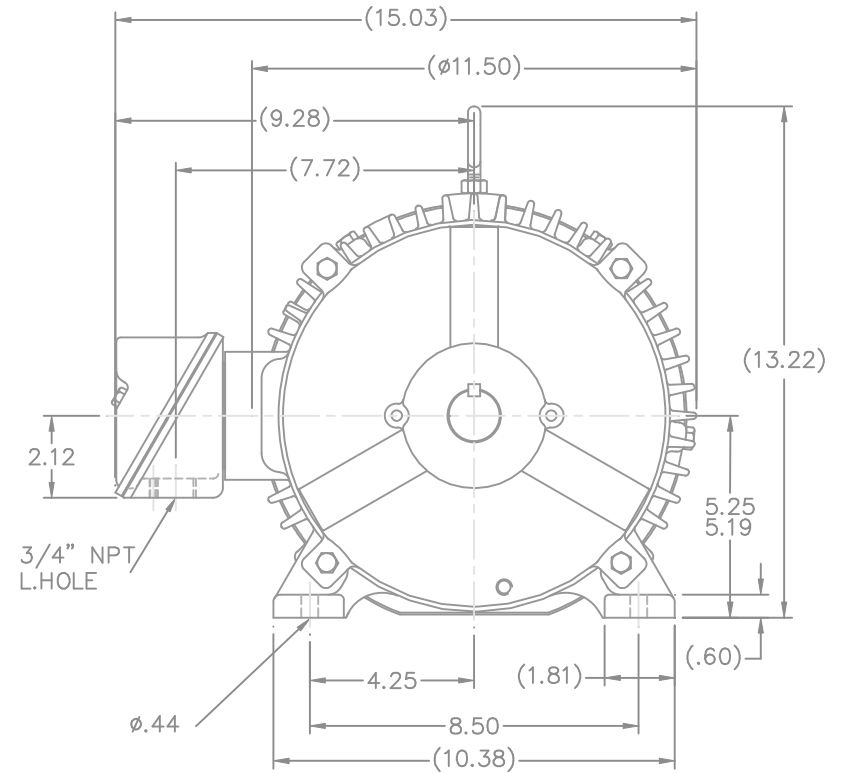
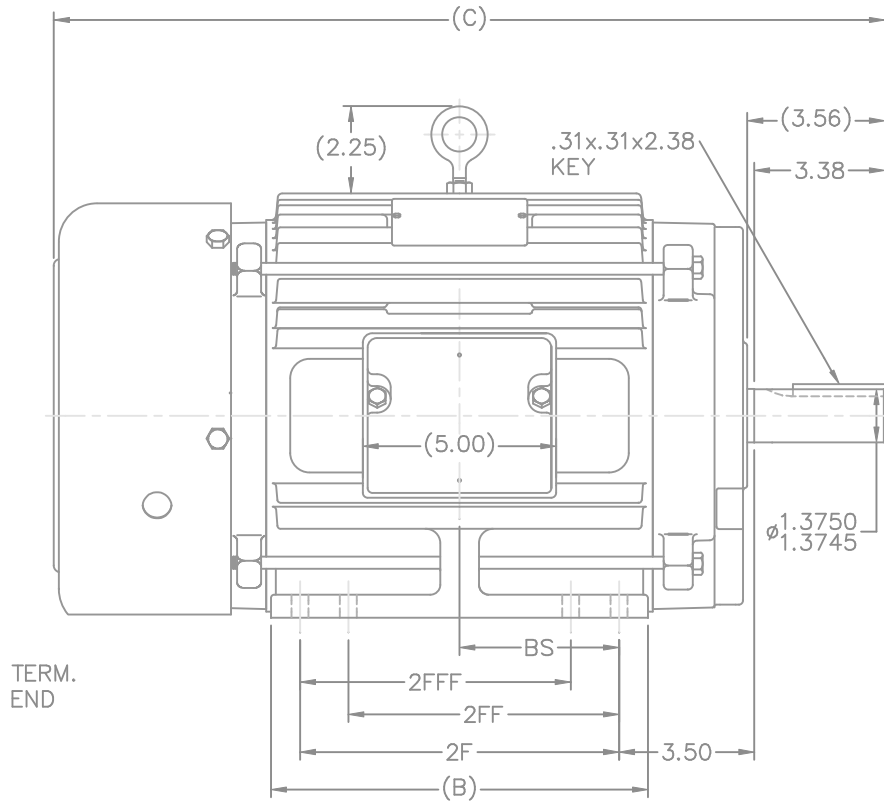
Nameplate Specifications

Output HP	10 Hp	Output KW	7.5 kW
Frequency	60 Hz	Voltage	575 V
Current	10.0 A	Speed	1765 rpm
Service Factor	1.15	Phase	3
Efficiency	91.7 %	Power Factor	82
Duty	Continuous	Insulation Class	F
Design Code	B	KVA Code	G
Frame	215T	Enclosure	Totally Enclosed Fan Cooled
Thermal Protection	No	Ambient Temperature	40 °C
Drive End Bearing Size	6307	Opp Drive End Bearing Size	6206
UL	Recognized	CSA	Y
CE	Y	IP Code	54
Number of Speeds	1		

Technical Specifications

Electrical Type	Squirrel Cage Inverter Rated	Starting Method	Line Or Inverter
Poles	4	Rotation	Reversible
Resistance Main	.894 Ohms	Mounting	Rigid Base
Motor Orientation	Horizontal	Drive End Bearing	Ball
Opp Drive End Bearing	Ball	Frame Material	Cast Iron
Shaft Type	T	Overall Length	19.72 in
Frame Length	8.75 in	Shaft Diameter	1.375 in
Shaft Extension	3.56 in	Assembly/Box Mounting	F1/F2 Capable
Connection Drawing	A-EE7300	Outline Drawing	B-SS84236-875

This is an uncontrolled document once printed or downloaded and is subject to change without notice. Date Created:10/12/2021



DASH	FRAME	B	2F	2FF	2FFF	BS	FOOT HOLE QTY.	MOUNTING	C CAST FAN GUARD	C STEEL FAN GUARD
725	213T	7.00	5.50	—	—	2.75	4	F1 OR F2	18.22	18.74
875	215T	8.50	7.00	—	—	3.50	4	F1 OR F2	19.72	20.24
875	213/5T	8.50	7.00	5.50	5.50	3.50	8	F1 OR F2	19.72	20.24
1000	213T	9.75	8.25	5.50	5.50	4.12	8	F1 OR F2	20.97	21.49
1000	215T	9.75	8.25	7.00	7.00	4.12	8	F1 OR F2	20.97	21.49

NOTES:

1. CONDUIT BOX CAN BE ROTATED IN 90° STEPS.
2. CONDUIT BOX CAN BE MOUNTED ON OPPOSITE SIDE BY REMOVING BRACKETS AND TURNING FRAME 180°.
3. NAMEPLATE TO BE READ FROM CONDUIT BOX SIDE OF MOTOR.

NO.	REVISION	BY & DATE	CHK	ANG	FINISH	PREV
13	REMOVED NOTE "SEE TABLE FOR HOLE QTY."	RDH 11-18-2003	ML	UNLESS SPECIFIED		
12	-875'S FOOT HOLE QTYS. WERE SWITCHED CN37323	ERH 10-21-2003	ML	DEC.	INCHES	
11	REVISED TABLE TO CLARIFY MOUNTINGS CN37301	TAT 9-29-2003	ML	.X	±.1	
10	CORRECTED CONDUIT BOX VIEWS CN28426	BLR 1-5-2000		.XX	±.03	
9	REVISED CONDUIT BOX CN28426	BLR 1-4-2000		.XXX	±.005	
8	REVISED DASH TABLE AND FOOT HOLE DIM.	MRB 3-26-1999		.XXXX	±.0005	
			RFP			
			DIST	LB		

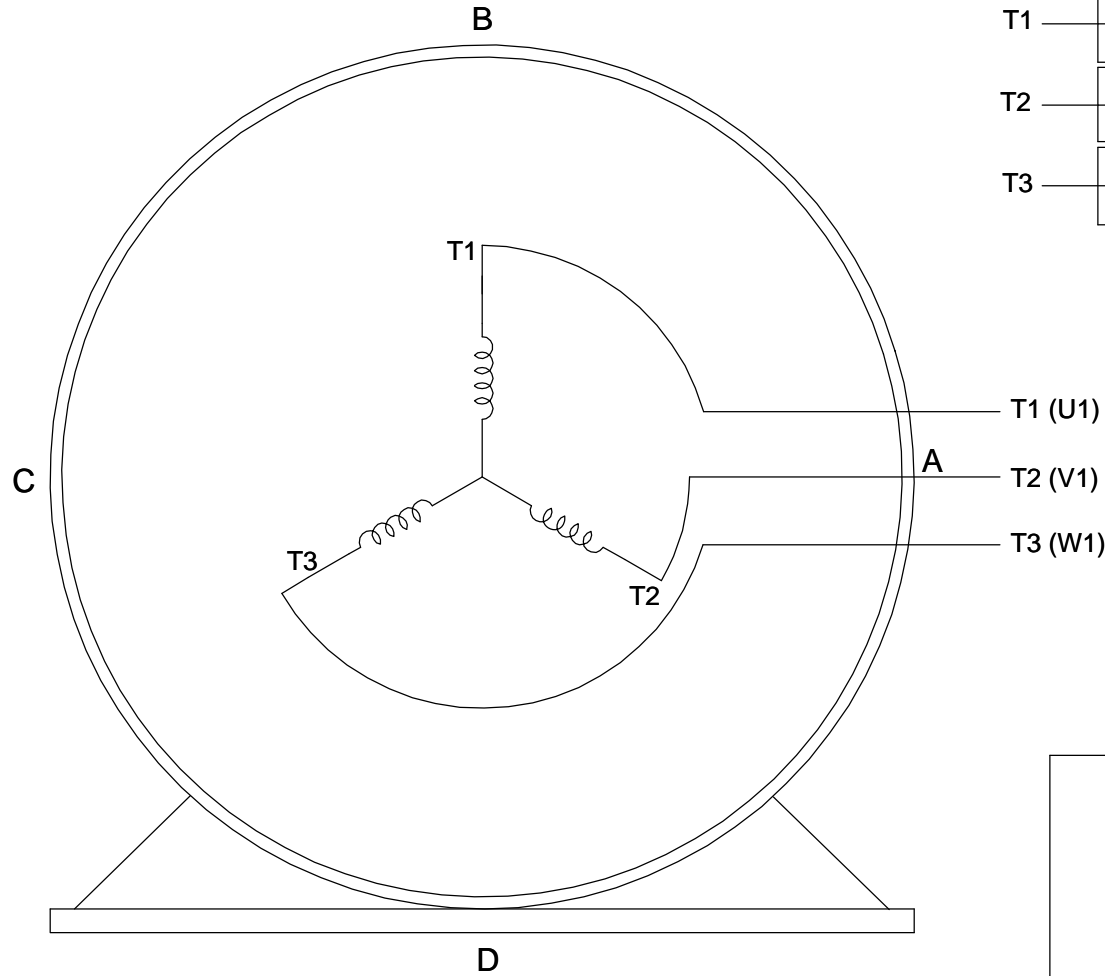
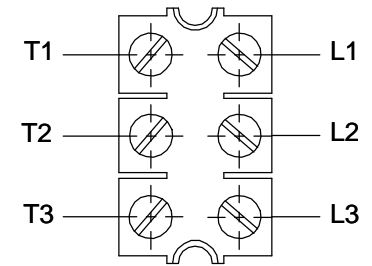
THIS DRAWING IN DESIGN AND DETAIL IS OUR PROPERTY AND MUST NOT BE USED EXCEPT IN CONNECTION WITH OUR WORK ALL RIGHTS OF DESIGN AND INVENTION ARE RESERVED THIS IS AN ELECTRONICALLY GENERATED DOCUMENT - DO NOT SCALE THIS PRINT				CAD FILE ss84236		SIZE B	DRAWING NO. SS84236	PAGE OF 13
---	--	--	--	------------------	--	--------	---------------------	------------

MARATHON ELECTRIC	TITLE OUTLINE 210T FR. - TEFC	DRAWN RM 1-11-1993 CHK ML 1-12-1993 APPD GK 1-12-1993 SCALE 5=16 REF FMF PREV
-------------------	----------------------------------	---

**THREE PHASE - SINGLE VOLTAGE
MOTOR - CONDUIT BOX @ 'A'**

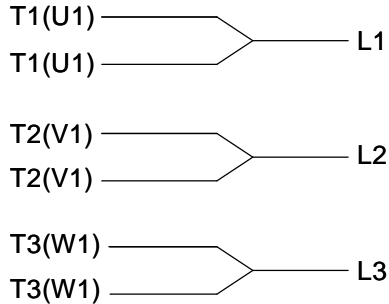
**TO REVERSE ROTATION:
INTERCHANGE ANY TWO
LINE LEAD CONNECTIONS.**

TERMINAL BLOCK WHEN SPECIFIED



VIEW OF TERMINAL END

**IF MOTOR HAS
6 LEADS**

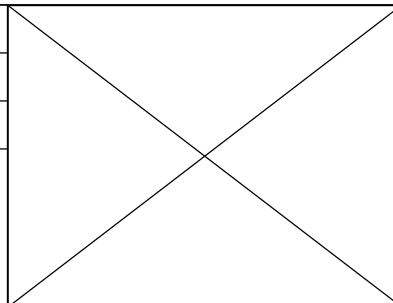


A-9806 DECAL

**OPTIONAL CORD
CONNECTION**

- L1 WHITE
- L2 RED
- L3 BLACK

DRAWING REVISION AB	REVISION BY JJB	DATE 06-27-2017
ECO ECO-0125361	APPROVED BY TB	DATE 06-27-2017
ECO DESCRIPTION UPDATED TO CURRENT STANDARDS		
<small>COPYRIGHT REGAL BELOIT AMERICA, INC. ALL RIGHTS RESERVED. PROPRIETARY AND CONFIDENTIAL INFORMATION - THIS DOCUMENT IS THE PROPERTY OF REGAL BELOIT AMERICA, INC. ("OWNER") AND CONTAINS OWNER'S PROPRIETARY INFORMATION. ANY PERSON, CORPORATION OR OTHER FIRM RECEIVING IT IS DEEMED, BY RECEIVING IT, TO AGREE THAT IT, AND/OR ANY PART OF IT, SHALL NOT BE DISCLOSED TO ANY PERSON, CORPORATION OR OTHER ENTITY, DUPLICATED, AND/OR USED, EXCEPT AS EXPRESSLY APPROVED IN WRITING IN ADVANCE BY OWNER. THIS DOCUMENT SHALL BE RETURNED TO OWNER UPON REQUEST. IT MAY BE SUBJECT TO CERTAIN RESTRICTIONS UNDER APPLICABLE EXPORT CONTROL LAWS AND REGULATIONS.</small>		



DRAWN BY DA
DATE 03-26-1993
APPROVED BY TB
DATE 03-26-1993
REFERENCE
THIRD ANGLE PROJECTION

Regal Beloit America, Inc.	
DESCRIPTION CONNECTION DIAGRAM EXTERNAL - SINGLE VOLTAGE - 3Ø MOTOR	
MATERIAL	PROCESS/FINISH
SIZE A	DRAWING NUMBER EE7300
SHEET 1 OF 1	

Data Sheet

Date: 6/20/2017

Customer: _____

Attention: _____

Submitted by: FAREEDA DUDEKULA



215TFS6530

Submittal

Data @ 575 V

Motor Load Data

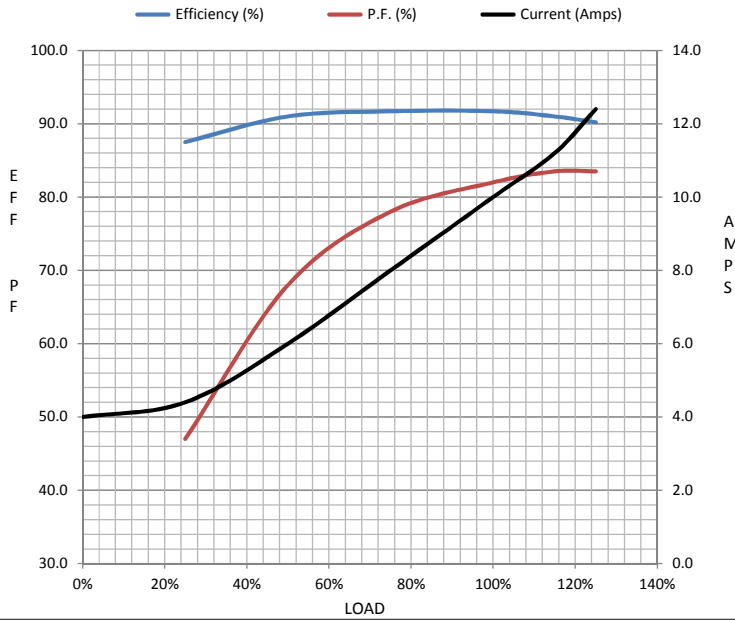
Load	0%	25%	50%	75%	100%	115%	125%	LR
Current (Amps)	4.0	4.4	6.0	8.0	10.0	11.2	12.4	64.0
Torque (ft-lb)	0.00	7.5	14.5	22.0	29.8	34.5	37.5	60.0
RPM	1800	1790	1785	1775	1765	1,755	1750	0
Efficiency (%)		87.5	91.0	91.7	91.7	91.0	90.2	
P.F. (%)	6.5	47.0	68.0	78.0	82.0	83.5	83.5	42.0

Motor Speed Data

	LR	Pull-Up	BD	Rated	Idle
Speed (RPM)	0	900	1675	1765	1800
Current (Amps)	64.0	57.6	36.8	10.0	4.0
Torque (ft-lb)	60.0	54.0	81.0	29.8	0.00

Information Block

HP	10.0
Sync. RPM	1800
Frame	215
Enclosure	TEFC
Construction	TFN
Voltage	575 V
Frequency	60 Hz
Design	B
LR Code letter	G
Service Factor	1.15
Temp Rise @ FL	55 °C
Duty	CONT
Ambient	40 °C
Elevation	1,000 feet
Rotor/Shaft wk ²	1.20 Lb-Ft ²
Ref Wdg	K2154249 NONE
Sound Pressure @ 1M	62 dBA
VFD Rating	CONSTANT 20:1
Outline Dwg	B-SS84236-875
Conn. Diag	A-EE7300



Additional Specifications:

0

0

EQUIV CKT (OHMS / PHASE)

R1	R2	X1	X2	Xm
0.8430	0.7630	3.2700	5.0140	79.8750

Speed -Torque Curve

