

PRODUCT INFORMATION PACKET

Model No: 215TTFC6070

Catalog No: GT1019A-P

Globetrotter® General Purpose Motor, 10 & 7.50 HP, 3 Ph, 60 & 50 Hz, 230/460 & 190/380 V,
1800 & 1500 RPM, 215T Frame, TEFC



Regal and Marathon are trademarks of Regal Rexnord Corporation or one of its affiliated companies.

©2024 Regal Rexnord Corporation, All Rights Reserved. MC017097E



Nameplate Specifications

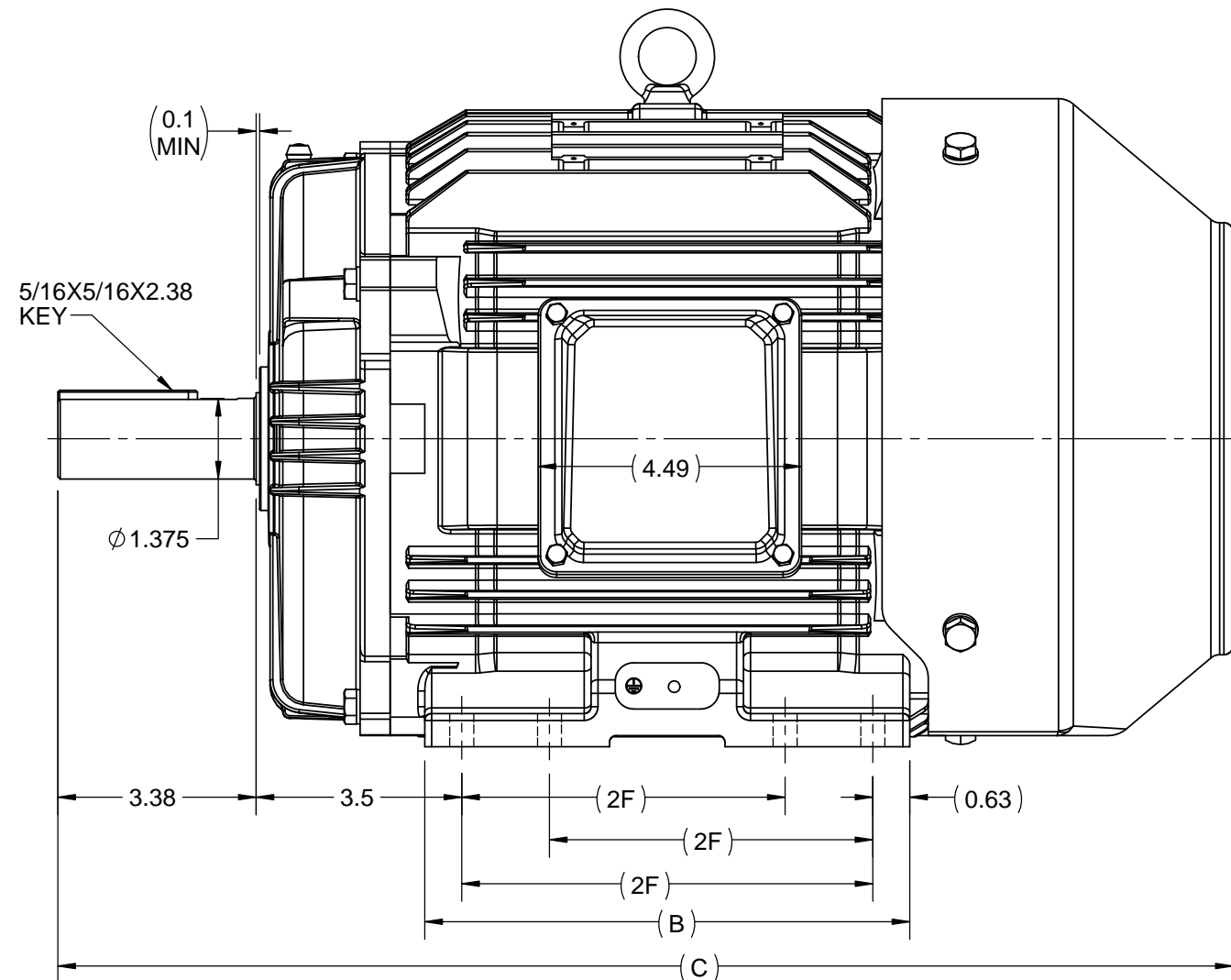
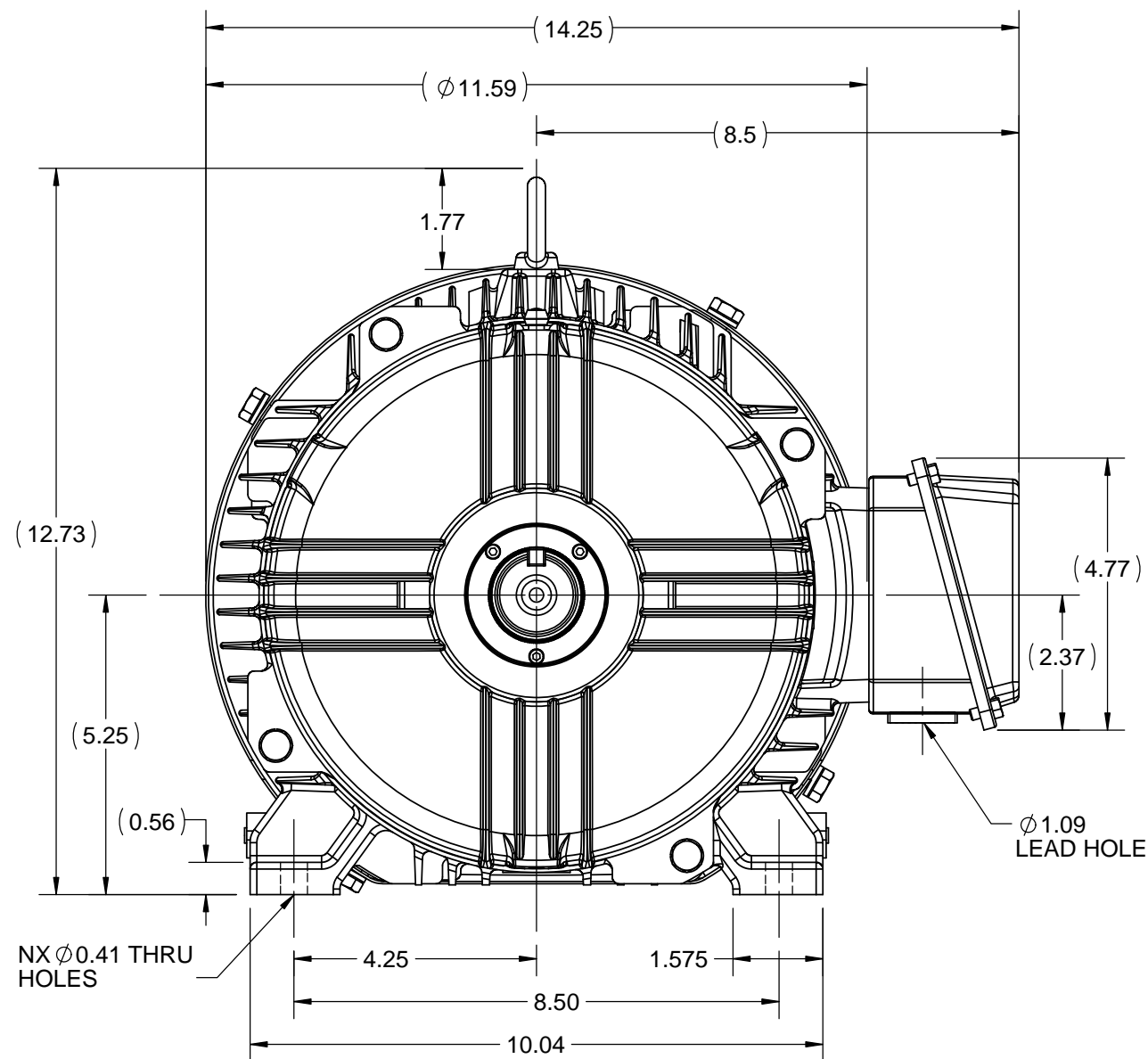
| | | | |
|------------------------|----------------------------------|----------------------------|------------------------------------|
| Phase | 3 | Output HP | 10 & 7.5 Hp |
| Output KW | 7.5 & 5.6 kW | Voltage | 230/460 & 190/380 V |
| Speed | 1762 & 1465 rpm | Service Factor | 1.15 & 1.15 |
| Frame | 215T | Enclosure | Totally Enclosed Fan Cooled |
| Thermal Protection | No Protection | Efficiency | 91.7 & 91 % |
| Ambient Temperature | 40 °C | Frequency | 60 & 50 Hz |
| Current | 25/12.5 & 23.2/11.6 A | Power Factor | 81.3 |
| Duty | Continuous | Insulation Class | F |
| Design Code | B | KVA Code | H |
| Drive End Bearing Size | 6308 | Opp Drive End Bearing Size | 6208 |
| UL | Recognized | CSA | Y |
| CE | Y | IP Code | 55 |
| Number of Speeds | 1 | | |

Technical Specifications

| | | | |
|-----------------------|-------------------------------------|-------------------|------------------------------------|
| Electrical Type | Squirrel Cage Inverter Rated | Starting Method | Line Or Inverter |
| Poles | 4 | Rotation | Reversible |
| Resistance Main | 1.155 Ohms | Mounting | Rigid Base |
| Motor Orientation | Horizontal | Drive End Bearing | Ball |
| Opp Drive End Bearing | Ball | Frame Material | Cast Iron |
| Shaft Type | T | Shaft Diameter | 1.375 in |
| Assembly/Box Mounting | F1/F2 CAPABLE | Inverter Load | CONSTANT 10:1/VARIABLE 10:1 |
| Connection Drawing | EE7308 | Outline Drawing | SS620702-200 |

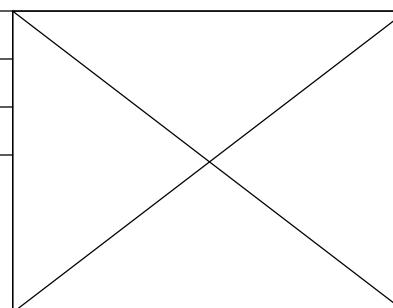
This is an uncontrolled document once printed or downloaded and is subject to change without notice. Date Created:10/18/2024

OUTLINE



| | | | | |
|-------|------|-------|-----|---|
| 213T | 6.76 | 18.53 | 5.5 | 4 |
| 215T | 8.26 | 20.03 | 7.0 | 8 |
| FRAME | B | C | 2F | N |

| | | |
|--|-------------|------|
| DRAWING REVISION A | REVISION BY | DATE |
| ECO ECO-0116959 | APPROVED BY | DATE |
| ECO DESCRIPTION NEW OUTLINE RELEASE COPYRIGHT REGAL BELOIT AMERICA, INC. ALL RIGHTS RESERVED. PROPRIETARY AND CONFIDENTIAL INFORMATION - THIS DOCUMENT IS THE PROPERTY OF REGAL BELOIT AMERICA, INC. ("OWNER") AND CONTAINS OWNER'S PROPRIETARY INFORMATION. ANY PERSON, CORPORATION OR OTHER FIRM RECEIVING IT IS DEEMED, BY RECEIVING IT, TO AGREE THAT IT, AND/OR ANY PART OF IT, SHALL NOT BE DISCLOSED TO ANY PERSON, CORPORATION OR OTHER ENTITY, DUPLICATED, AND/OR USED, EXCEPT AS EXPRESSLY APPROVED IN WRITING IN ADVANCE BY OWNER. THIS DOCUMENT SHALL BE RETURNED TO OWNER UPON REQUEST. IT MAY BE SUBJECT TO CERTAIN RESTRICTIONS UNDER APPLICABLE EXPORT CONTROL LAWS AND REGULATIONS. | | |



| | |
|------------------------|--|
| DRAWN BY SN | REGAL ™ Regal Beloit America, Inc. |
| DATE 12/01/2017 | |
| APPROVED BY SBD | DESCRIPTION OUTLINE 213/215T FR TEFC- CAST IRON |
| DATE 12/01/2017 | MATERIAL PROCESS/FINISH |
| REFERENCE | SIZE B |
| THIRD ANGLE PROJECTION | DRAWING NUMBER SS620702F |
| | SHEET 1 OF 1 |

EE7308

THREE PHASE
DUAL VOLTAGE MOTOR



VIEW OF TERMINAL END

REF.
WINDING DIAGRAM

T8Y, T2Y, T2BL, T4BX, T2EC, T2G
T6BZ, T2B, T6BL, T4AV, T6B, T4B

OPTIONAL CORD
CONNECTION

L1 — WHITE
L2 — RED
L3 — BLACK

| NO. | REVISION | BY & DATE | CHK | ANG | TOLERANCES UNLESS SPECIFIED | | FINISH | DRAWN RM 11/20/1990 | | | | |
|--|--|----------------|-----|-------|--------------------------------|--------|---|---------------------|--------|--------------------|-----------|--------|
| | | | | | DEC. | INCHES | | | | | | |
| 5 | CHG TO REGAL LOGO | SL 09/10/2015 | AB | | | | | CHK ML 11/21/1990 | | | | |
| 4 | REVISED IEC NOTATIONS | MSG 11/15/2011 | CMN | .X | ±.1 | | | APPD SAS 04/24/2003 | | | | |
| 3 | ADDED IEC NOTATIONS... (U1), (V1) ETC. MU95194 | MSG 5/10/2010 | MJS | .XX | ±.02 | | | SCALE 1=1 | | | | |
| 2 | ADDED THE OPTIONAL CORD CONNECTION MU46318 | RDH 04/24/2003 | DRS | .XXX | ±.005 | | TITLE CONNECTION DIAGRAM 3Ø - DUAL VOLTAGE MOTOR | REF | | | | |
| 1 | REDRAWN | RM 11/20/1990 | | .XXXX | ±.0005 | | MAT'L. | FMF | | | | |
| | | | | | ±7'30" | | | PREV | | | | |
| THIS DRAWING IN DESIGN AND DETAIL IS OUR PROPERTY AND MUST NOT BE USED EXCEPT IN CONNECTION WITH OUR WORK ALL RIGHTS OF DESIGN AND INVENTION ARE RESERVED THIS IS AN ELECTRONICALLY GENERATED DOCUMENT - DO NOT SCALE THIS PRINT | | | | | | | RFP | CAD FILE ee7308 | SIZE A | DRAWING NO. EE7308 | PAGE OF 5 | REV. 5 |
| | | | | | | | DIST WP | | | | | |



Regal Beloit America, Inc.



P.O. BOX 8003
WAUSAU, WI 54401-8003
PH. 715-675-3311

DATA VOLTS: 460

CERTIFICATION DATA SHEET

CUSTOMER:
ORDER #: _____
CONN. DIAGRAM: EE7308
OUTLINE: SS620702-200
WINDING: HA31324013 R1 2
SPEED: _____

CUSTOMER P.O. #: _____
REFERENCE MODEL #: 215TTFCD6070
CAT #: GT1019A-P
CUSTOMER PART #: _____
MOUNTING: F1/F2 CAPABLE

TYPICAL MOTOR PERFORMANCE DATA

| HP | KW | SYNC RPM | FL RPM | FRAME | ENCLOSURE | TYPE | KVA CODE | DESIGN |
|----|-----|----------|--------|-------|-----------|------|----------|--------|
| 10 | 7.5 | 1800 | 1762 | 215T | TEFC | TFC | H | B |

| PH | HZ | VOLTS | AMPS | START TYPE | DUTY | INSL | S.F. | AMB | ELEV. |
|----|-------|---------------------|------------------------|------------------|------|------|------|-----|-------|
| 3 | 60/50 | 208-230/460#190/380 | 27.6-25/12.5&23.2/11.6 | LINE OR INVERTER | CONT | F | 1.15 | 40 | 3300 |

| F.L. EFF | 91.7 | 3/4 LD EFF | 91.8 | 1/2 LD EFF | 90.8 | GTD EFF | ELECT. TYPE |
|----------|------|------------|------|------------|------|---------|-------------------|
| F.L. PF | 81.3 | 3/4 LD PF | 76.6 | 1/2 LD PF | 66.0 | 91.0 | SQ CAGE INV RATED |

| F.L. TORQUE | LR AMPS @ 460 V | L.R. TORQUE | B.D. TORQUE | F.L. RISE (°C) |
|-------------|-----------------|-------------|-------------|-----------------|
| 29.8 LB-FT | 79.0 | 59.0 LB-FT | 198% | 74.0 LB-FT 248% |

| SOUND PRESSURE @ 3 FT. | SOUND | POWER | ROTOR WK ² | MAX. LOAD WK ² | SAFE STALL TIME | STARTS/HOUR | APROX. | MOTOR WGT |
|------------------------|--------|-------|-------------------------|---------------------------|-----------------|-------------|---------|-----------|
| 62 dBA | 71 dBA | | 1.10 LB-FT ² | 85 LB-FT ² | 25 SEC. | 2 | 210 LB. | |

***** SUPPLEMENTAL INFORMATION *****

| DE BRACKET TYPE | ODE BRACKET TYPE | MOUNT TYPE | MOTOR ORIENTATION | SEVERE DUTY | HAZARDOUS LOCATION | DRIP COVER | SCREENS | PAINT |
|-----------------|------------------|------------|-------------------|-------------|--------------------|------------|---------|---------------|
| STANDARD | STANDARD | RIGID | HORIZONTAL | NO | NONE | YES | NONE | BLUE (ENAMEL) |

| BEARINGS | | GREASE | SHAFT TYPE | SPECIAL DE | SPECIAL ODE | SHAFT MATERIAL | FRAME MATERIAL |
|----------|------|------------|------------|------------|-------------|-------------------------|----------------|
| DE | ODE | | | | | | |
| BALL | BALL | POLYREX EM | T | NONE | NONE | 1045 HOT ROLLED (C-204) | CAST IRON |
| 6308 | 6208 | | | | | | |

| THERMOSTATS | PROTECTORS | WDG RTD's | BRG RTD's | THERMISTORS | CONTROL | SPACE HEATERS |
|-------------|------------|-----------|-----------|-------------|---------|---------------|
| NONE | NOT | NONE | NONE | NONE | FALSE | NA |

| R1 (ohms/ph) | R2 (ohms/ph) | X1 (ohms/ph) | X2 (ohms/ph) | Xm (ohms/ph) | VIBRATION (in/sec) | FLOAT |
|--------------|--------------|--------------|--------------|--------------|--------------------|-------|
| 0.741 | 0.466 | 2.147 | 2.579 | 46.775 | 0.150 | ODE |

| | | | | | | |
|-------|--|--|--|--|--|--|
| NOTES | INVERTER TORQUE: CONSTANT 10:1/VARIABLE 10:1 | | | | | |
| | INV. HP SPEED RANGE: NONE | | | | | |
| | ENCODER: NONE | | | | | |
| | NONE PPR | | | | | |

| | |
|---------------------------|--------------------------------|
| PREPARED BY: _____ | BRAKE: NONE |
| DATE: 9/16/2021 | NONE NA NONE |
| | FT-LB: NA |
| | VOLTAGE: NONE HZ: |
| FORM: 3531 REV. 4 2/27/06 | UL: V - LI-ME-INS.CONST UL REC |

Data Sheet

Date: 9/16/2021
 Customer: _____
 Attention: _____
 Submitted by: _____



215TTFCD6070

Submittal

Data @ 460 V

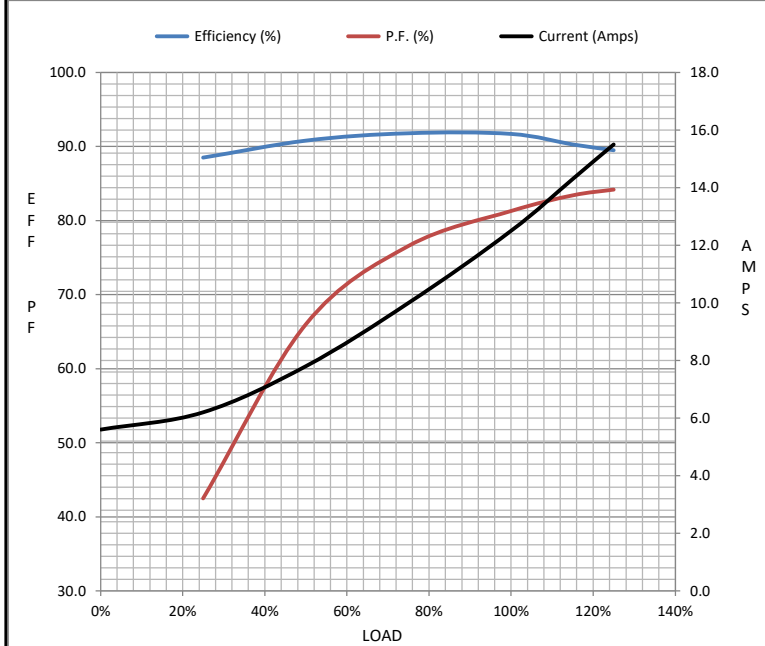
Motor Load Data

| Load | 0% | 25% | 50% | 75% | 100% | 115% | 125% | LR |
|----------------|------|------|------|------|------|-------|------|------|
| Current (Amps) | 5.6 | 6.2 | 7.8 | 10.0 | 12.5 | 14.3 | 15.5 | 79.0 |
| Torque (ft-lb) | 0.00 | 7.3 | 14.7 | 22.2 | 29.8 | 34.4 | 37.4 | 59.0 |
| RPM | 1800 | 1792 | 1782 | 1772 | 1762 | 1,756 | 1752 | 0 |
| Efficiency (%) | | 88.5 | 90.8 | 91.8 | 91.7 | 90.3 | 89.5 | |
| P.F. (%) | 9.0 | 42.5 | 66.0 | 76.6 | 81.3 | 83.4 | 84.2 | 44.0 |

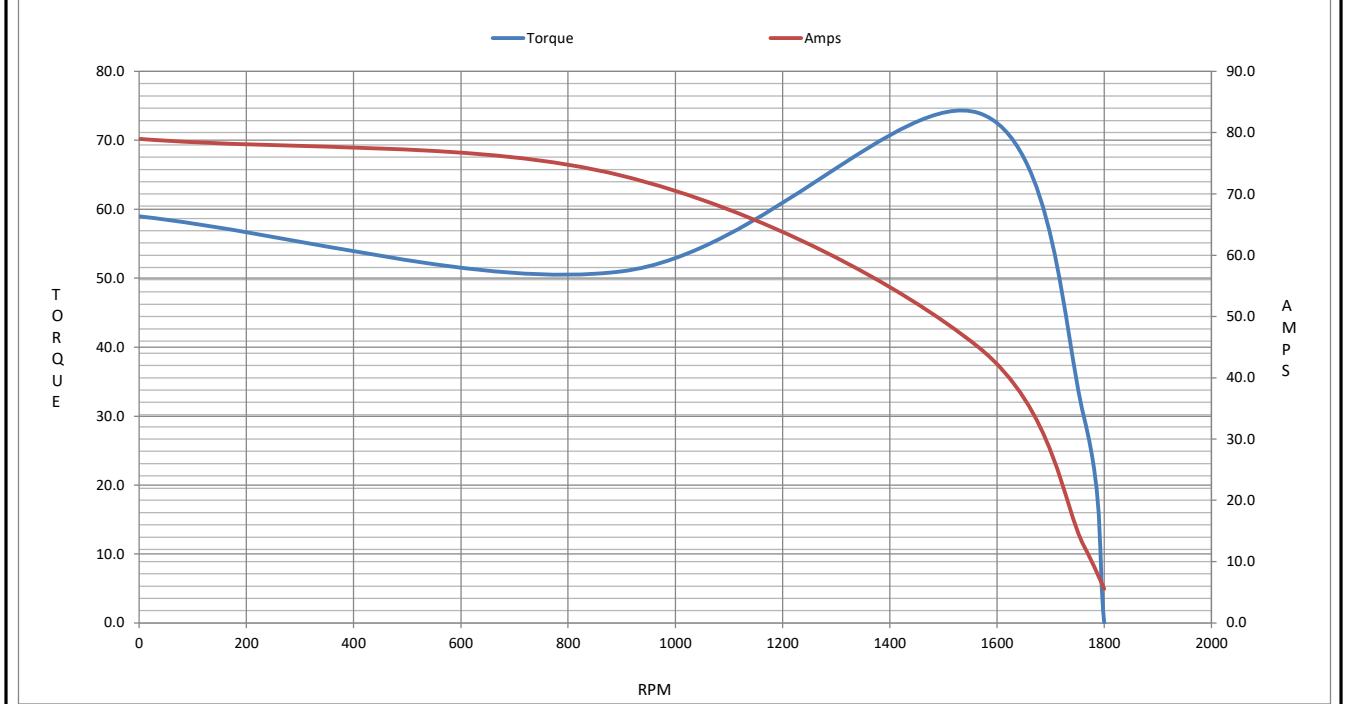
Motor Speed Data

| | LR | Pull-Up | BD | Rated | Idle |
|----------------|------|---------|------|-------|------|
| Speed (RPM) | 0 | 900 | 1565 | 1762 | 1800 |
| Current (Amps) | 79.0 | 73.0 | 45.0 | 12.5 | 5.6 |
| Torque (ft-lb) | 59.0 | 51.0 | 74.0 | 29.8 | 0.00 |

| Information Block | | | | |
|-----------------------------|-----------------------------|--------|--------|---------|
| HP | 10.0 | | | |
| Sync. RPM | 1800 | | | |
| Frame | 215 | | | |
| Enclosure | TEFC | | | |
| Construction | TFC | | | |
| Voltage | 208-230/460#190/380 V | | | |
| Frequency | 60 Hz | | | |
| Design | B | | | |
| LR Code letter | H | | | |
| Service Factor | 1.15 | | | |
| Temp Rise @ FL | 60 ° C | | | |
| Duty | CONT | | | |
| Ambient | 40 ° C | | | |
| Elevation | 3,300 feet | | | |
| Rotor/Shaft wk ² | 1.10 Lb-F ² | | | |
| Ref Wdg | HA31324013 R1 | | | |
| Sound Pressure @ 1M | 62 dBA | | | |
| VFD Rating | CONSTANT 10:1/VARIABLE 10:1 | | | |
| Outline Dwg | SS620702-200 | | | |
| Conn. Diag | EE7308 | | | |
| Additional Specifications: | | | | |
| 0 | | | | |
| 0 | | | | |
| EQUIV CKT (OHMS / PHASE) | | | | |
| R1 | R2 | X1 | X2 | Xm |
| 0.7410 | 0.4660 | 2.1470 | 2.5790 | 46.7750 |



Speed - Torque Curve



EC Declaration of Conformity

The undersigned representing
the manufacturer:

Regal Beloit America
100 East Randolph St.
Wausau, WI 54401

and the authorized representative
established within the Community:

Marathon Electric UK
6F Thistleton Road Ind. Estate
Market Overton
Oakham, Rutland LE15 7PP UK

are committed to providing customers with products that comply with applicable regulations and international protocols to which they are subject, including the requirements of the European Parliament Directive on the Harmonization of the laws relating to electrical equipment designed for use within certain voltage limits (2014/35/EU).

Regal Beloit America declares that the following product(s), to which this declaration relates, are in conformity with the relevant sections of the EC standards listed below.

This statement supersedes any statements previously issued pertaining to the product(s) listed below and is subject to change without notice.

Model No : 215TTFC6070

(Model No. may contain prefix and/or suffix characters)

Catalog No : GT1019A-P

Rework No : N/A

Directives :

Low Voltage Directive 2014/35/EU

Harmonized Standards Used :

EN 60034-1: 2010 (IEC 60034-1: 2010)

EN 60034-5: 2001/A1:2007 (IEC 60034-5: 2000/A1:2006)

Authorized Representative:



Michael A. Logsdon
Vice President, Technology

Authorized Representative in the Community:



Julian Clark
Marketing Engineer

Created on 09/01/2022

CE 22