

PRODUCT INFORMATION PACKET

Model No: 215TTFBD6020

Catalog No: GT31111

Globetrotter® Close-Coupled Pump Motor, 15 & 10 HP, 3 Ph, 60 & 50 Hz, 230/460 & 190/380 V,
3600 & 3000 RPM, 215JM Frame, TEFC



Regal and Marathon are trademarks of Regal Rexnord Corporation or one of its affiliated companies.

©2024 Regal Rexnord Corporation, All Rights Reserved. MC017097E

Nameplate Specifications

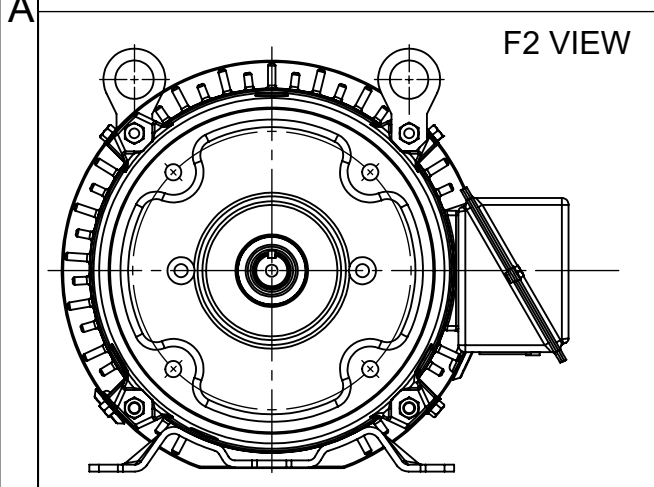
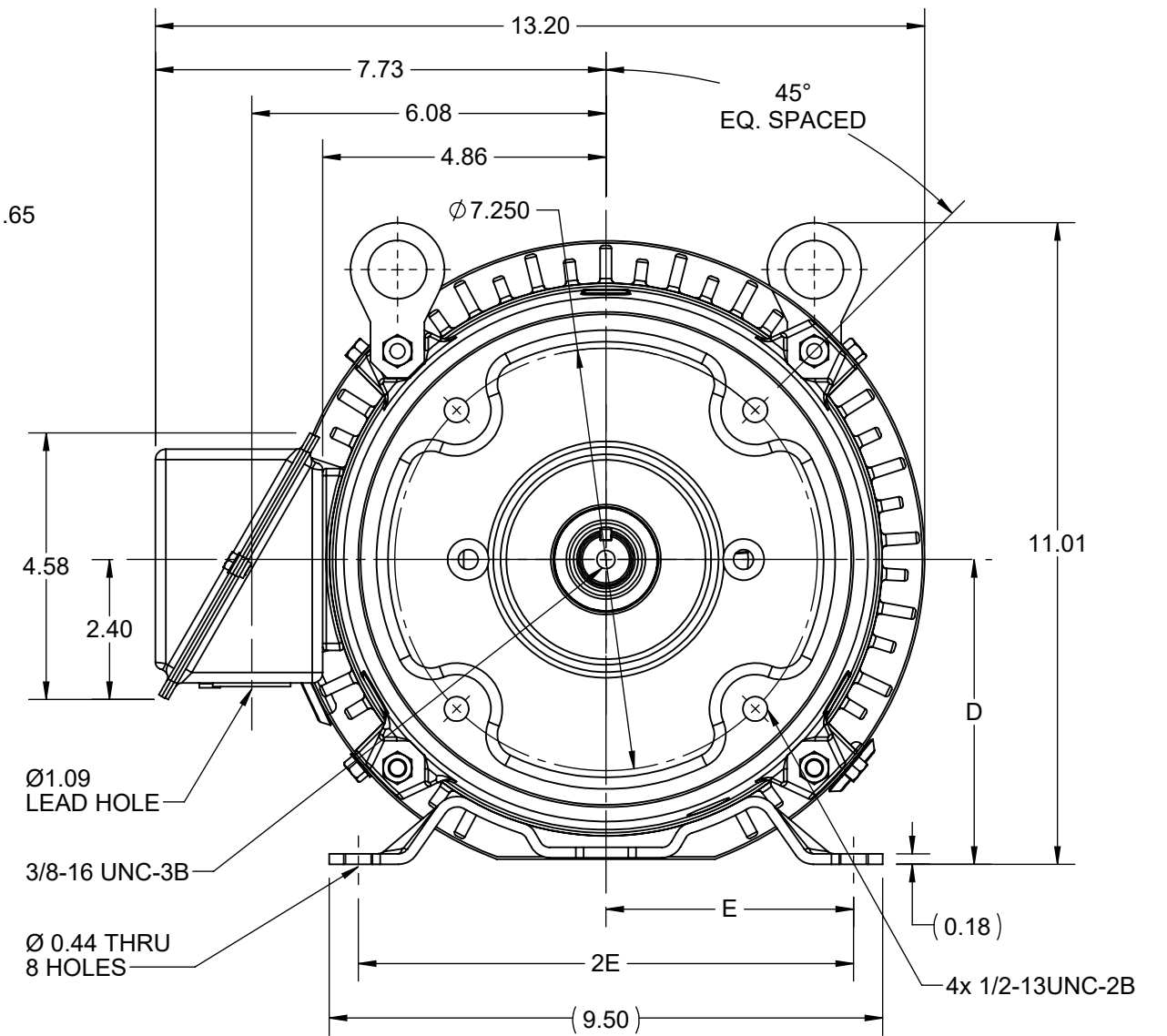
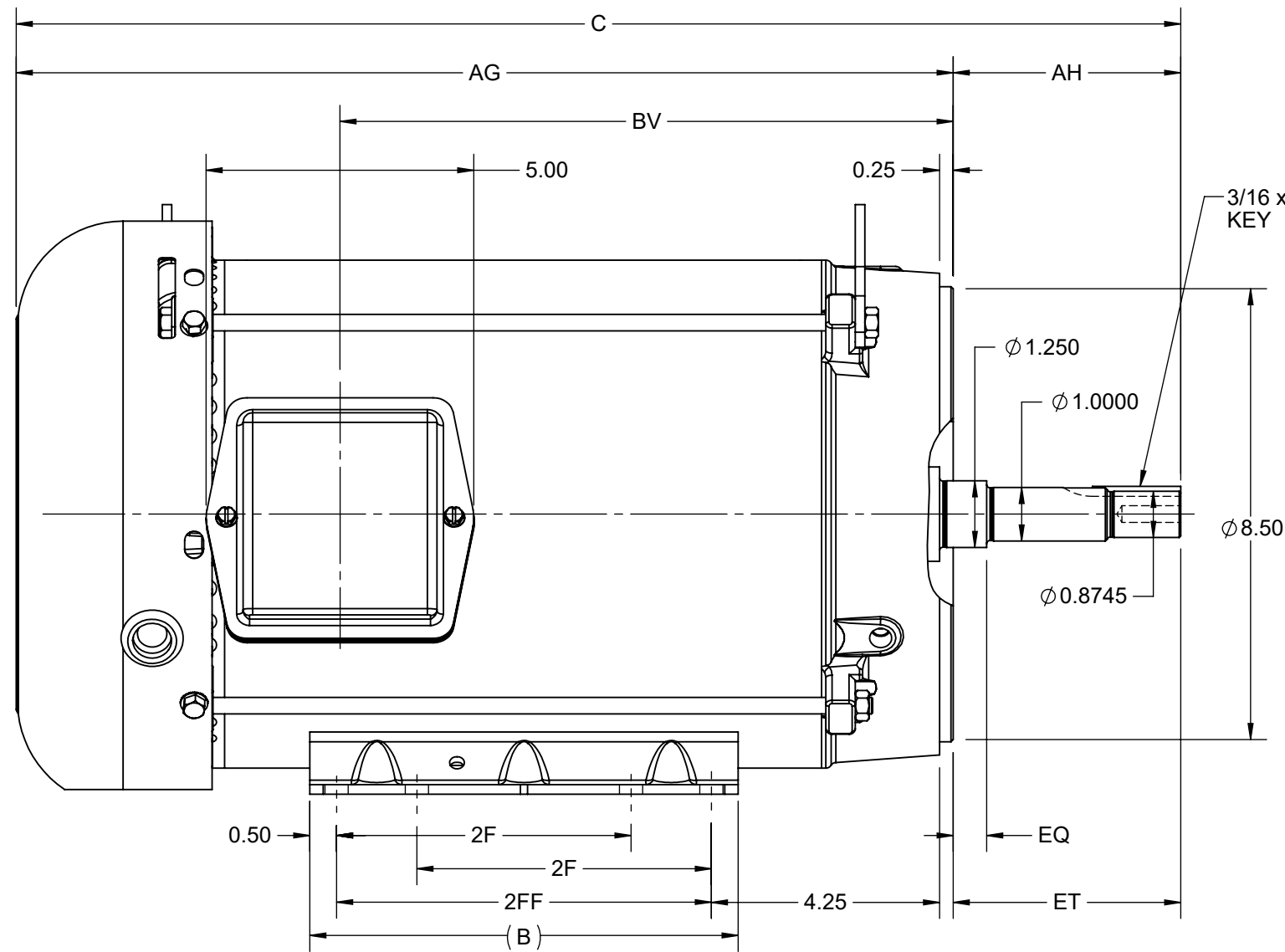
Phase	3	Output HP	15 & 10 Hp
Output KW	11.2 & 7.5 kW	Voltage	230/460 & 190/380 V
Speed	3530 & 2944 rpm	Service Factor	1.15 & 1.15
Frame	215JM	Enclosure	Totally Enclosed Fan Cooled
Thermal Protection	No Protection	Efficiency	91.7 & 91 %
Ambient Temperature	40 °C	Frequency	60 & 50 Hz
Current	35/17.4 & 29/14.5 A	Power Factor	88
Duty	Continuous	Insulation Class	F
Design Code	A	KVA Code	J
Drive End Bearing Size	6309	Opp Drive End Bearing Size	6206
UL	Listed	CSA	Y
CE	Y	IP Code	43
Number of Speeds	1	Hazardous Location	DIVISION 2 T2B

Technical Specifications

Electrical Type	Squirrel Cage Inverter Rated	Starting Method	Line Or Inverter
Poles	2	Rotation	Reversible
Resistance Main	.56 Ohms	Mounting	Rigid Base
Motor Orientation	Horizontal	Drive End Bearing	Ball
Opp Drive End Bearing	Ball	Frame Material	Rolled Steel
Shaft Type	JM	Shaft Diameter	0.875 in
Assembly/Box Mounting	F1/F2 CAPABLE	Inverter Load	CONSTANT 2:1/VARIABLE 10:1
Outline Drawing	SS620824-200	Connection Drawing	EE7308

This is an uncontrolled document once printed or downloaded and is subject to change without notice. Date Created:10/18/2024

DASH NO.	4				3				2				1	
	B	C	D	E	2E	2F	2FF	AG	AH	BV	EQ	ET	MOUNTING	FRAME
100	8.00	20.25	5.25	4.25	8.50	5.50	7.00	16.00	4.25	9.95	0.63	2.87	F1 OR F2	213JM
200		21.75						17.50		11.45				215JM



DRAWING REVISION E	REVISION BY RAM	REV DATE/© DATE 09/05/2022
REQUEST NUMBER CR-0008840	APPROVED BY SBD	DATE 09/05/2022
REQUEST NUMBER DESCRIPTION FRAME AND CONDUIT BOX PART # UPDATED AS PER CR		
<small>COPYRIGHT (PER REVISION DATE) REGAL BELOIT AMERICA, INC. ALL RIGHTS RESERVED. PROPRIETARY AND CONFIDENTIAL INFORMATION - THIS DOCUMENT IS THE PROPERTY OF REGAL BELOIT AMERICA, INC. ("OWNER") AND CONTAINS OWNER'S PROPRIETARY INFORMATION. ANY PERSON, CORPORATION OR OTHER FIRM RECEIVING IT IS DEEMED, BY RECEIVING IT, TO AGREE THAT IT, AND/OR ANY PART OF IT, SHALL NOT BE DISCLOSED TO ANY PERSON, CORPORATION OR OTHER ENTITY, DUPLICATED, AND/OR USED, EXCEPT AS EXPRESSLY APPROVED IN WRITING IN ADVANCE BY OWNER. THIS DOCUMENT SHALL BE RETURNED TO OWNER UPON REQUEST. IT MAY BE SUBJECT TO CERTAIN RESTRICTIONS UNDER APPLICABLE EXPORT CONTROL LAWS AND REGULATIONS.</small>		

PRIMARY DIMENSIONS ARE INCH
mm DIMENSIONS IN [BRACKETS]
ARE FOR REFERENCE ONLY

DRAWN BY ZHY	 Regal Beloit America, Inc.
DATE 13-04-2017	
APPROVED BY WANG YAN	DESCRIPTION OUTLINE 213/215JM FR NEMA TEFC RS
DATE 13-04-2017	MATERIAL
REFERENCE	PROCESS/FINISH
THIRD ANGLE PROJECTION	SIZE B
	DRAWING NUMBER SS620824
	SHEET 1 OF 1

EE7308

THREE PHASE
DUAL VOLTAGE MOTOR



VIEW OF TERMINAL END

REF.
WINDING DIAGRAM

T8Y, T2Y, T2BL, T4BX, T2EC, T2G
T6BZ, T2B, T6BL, T4AV, T6B, T4B

OPTIONAL CORD
CONNECTION

L1 — WHITE
L2 — RED
L3 — BLACK

NO.	REVISION	BY & DATE	CHK	ANG	TOLERANCES UNLESS SPECIFIED		FINISH	DRAWN RM 11/20/1990				
					DEC.	INCHES						
5	CHG TO REGAL LOGO	SL 09/10/2015	AB					CHK ML 11/21/1990				
4	REVISED IEC NOTATIONS	MSG 11/15/2011	CMN	.X	±.1			APPD SAS 04/24/2003				
3	ADDED IEC NOTATIONS... (U1), (V1) ETC. MU95194	MSG 5/10/2010	MJS	.XX	±.02		TITLE CONNECTION DIAGRAM	SCALE 1=1				
2	ADDED THE OPTIONAL CORD CONNECTION MU46318	RDH 04/24/2003	DRS	.XXX	±.005		3Ø - DUAL VOLTAGE MOTOR	REF				
1	REDRAWN	RM 11/20/1990		.XXXX	±.0005		MAT'L.	FMF				
					±7'30"			PREV				
THIS DRAWING IN DESIGN AND DETAIL IS OUR PROPERTY AND MUST NOT BE USED EXCEPT IN CONNECTION WITH OUR WORK ALL RIGHTS OF DESIGN AND INVENTION ARE RESERVED THIS IS AN ELECTRONICALLY GENERATED DOCUMENT - DO NOT SCALE THIS PRINT							RFP	CAD FILE ee7308	SIZE A	DRAWING NO. EE7308	PAGE OF 5	REV. 5
							DIST WP					





P.O. BOX 8003
 WAUSAU, WI 54401-8003
 PH. 715-675-3311

DATA VOLTS: 460

CERTIFICATION DATA SHEET

CUSTOMER:
 ORDER #:
 CONN. DIAGRAM: EE7308
 OUTLINE: SS620824-200
 WINDING: HA31322023 NONE 1
 SPEED: _____

CUSTOMER P.O. #:
 REFERENCE MODEL #: 215TTFBD6020
 CAT #: GT3187
 CUSTOMER PART #:
 MOUNTING: F1/F2 CAPABLE

TYPICAL MOTOR PERFORMANCE DATA

HP	KW	SYNC RPM	FL RPM	FRAME	ENCLOSURE	TYPE	KVA CODE	DESIGN
15	11.2	3600	3530	215JM	TEFC	TFB	J	A

PH	HZ	VOLTS	AMPS	START TYPE	DUTY	INSL	S.F.	AMB	ELEV.
3	60/50	230/460#190/380	35/17.4&29/14.5	LINE OR INVERTER	CONT	F	1.15	40	3300

F.L. EFF	91.7	3/4 LD EFF	91.7	1/2 LD EFF	90.2	GTD EFF	ELECT. TYPE
F.L. PF	88.0	3/4 LD PF	84.0	1/2 LD PF	75.0	89.5	SQ CAGE INV RATED

F.L. TORQUE	LR AMPS @ 460 V	L.R. TORQUE	B.D. TORQUE	F.L. RISE (°C)
22.2 LB-FT	145	65.0 LB-FT	293%	80.0 LB-FT 360%

SOUND PRESSURE @ 3 FT.	SOUND	POWER	ROTOR WK ²	MAX. LOAD WK ²	SAFE STALL TIME	STARTS/HOUR	APROX.	MOTOR WGT
60 dBA	69 dBA		0.60 LB-FT ²	18 LB-FT ²	10 SEC.	2	190 LB.	

***** SUPPLEMENTAL INFORMATION *****

DE BRACKET TYPE	ODE BRACKET TYPE	MOUNT TYPE	MOTOR ORIENTATION	SEVERE DUTY	HAZARDOUS LOCATION	DRIP COVER	SCREENS	PAINT
C-FACE	STANDARD	RIGID	HORIZONTAL	NO	DIVISION 2 T2B	YES	NONE	BLUE (ENAMEL)

BEARINGS		GREASE	SHAFT TYPE	SPECIAL DE	SPECIAL ODE	SHAFT MATERIAL	FRAME MATERIAL
DE	ODE						
BALL	BALL	POLYREX EM	JM	NONE	NONE	1045 HOT ROLLED (C-204)	ROLLED STEEL
6309	6206						

THERMOSTATS	PROTECTORS	WDG RTD's	BRG RTD's	THERMISTORS	CONTROL	SPACE HEATERS
NONE	NOT	NONE	NONE	NONE	FALSE	NA

R1 (ohms/ph)	R2 (ohms/ph)	X1 (ohms/ph)	X2 (ohms/ph)	Xm (ohms/ph)	VIBRATION (in/sec)	FLOAT
0.34	0.302	1.134	0.945	41.58	0.150	ODE

NOTES	INVERTER TORQUE: CONSTANT 2:1/VARIABLE 10:1				
	INV. HP SPEED RANGE: NONE				
	ENCODER: NONE				
	NONE PPR				

PREPARED BY:	DATE: 2/22/2022	BRAKE: NONE	FT-LB: NA	VOLTAGE: NONE	HZ:
FORM: 3531 REV. 4 2/27/06		UL: NO LETTER - ME, WUXI TEFC BLUEWHALE CLASS 1 DIV. 2 UL LISTED			

Data Sheet

Date: 2/22/2022
 Customer: _____
 Attention: _____
 Submitted by: _____



215TFBD6020

Submittal

Data @ 460 V

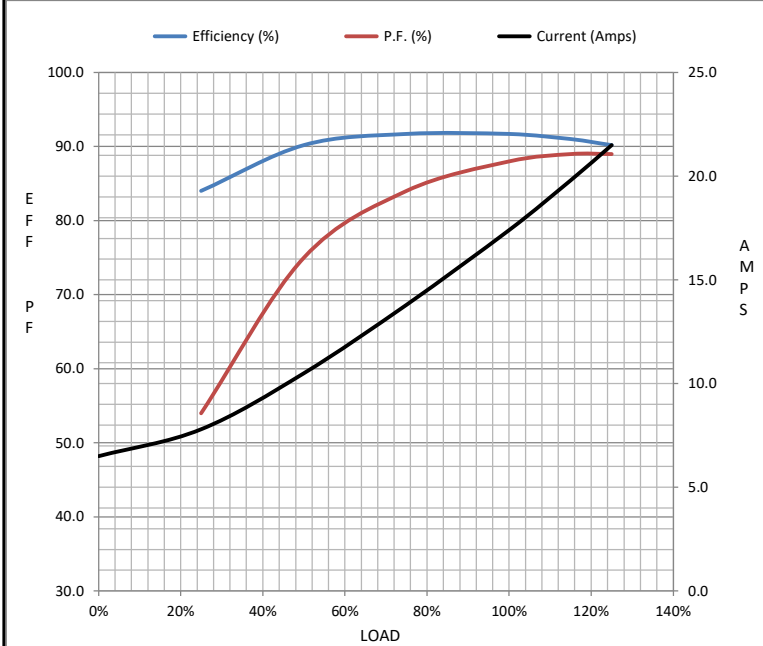
Motor Load Data

Load	0%	25%	50%	75%	100%	115%	125%	LR
Current (Amps)	6.5	7.8	10.5	13.8	17.4	19.8	21.5	145
Torque (ft-lb)	0.00	5.5	11.0	16.8	22.2	25.8	28.0	65.0
RPM	3600	3582	3565	3550	3530	3,520	3510	0
Efficiency (%)		84.0	90.2	91.7	91.7	91.0	90.2	
P.F. (%)	8.5	54.0	75.0	84.0	88.0	89.0	89.0	43.0

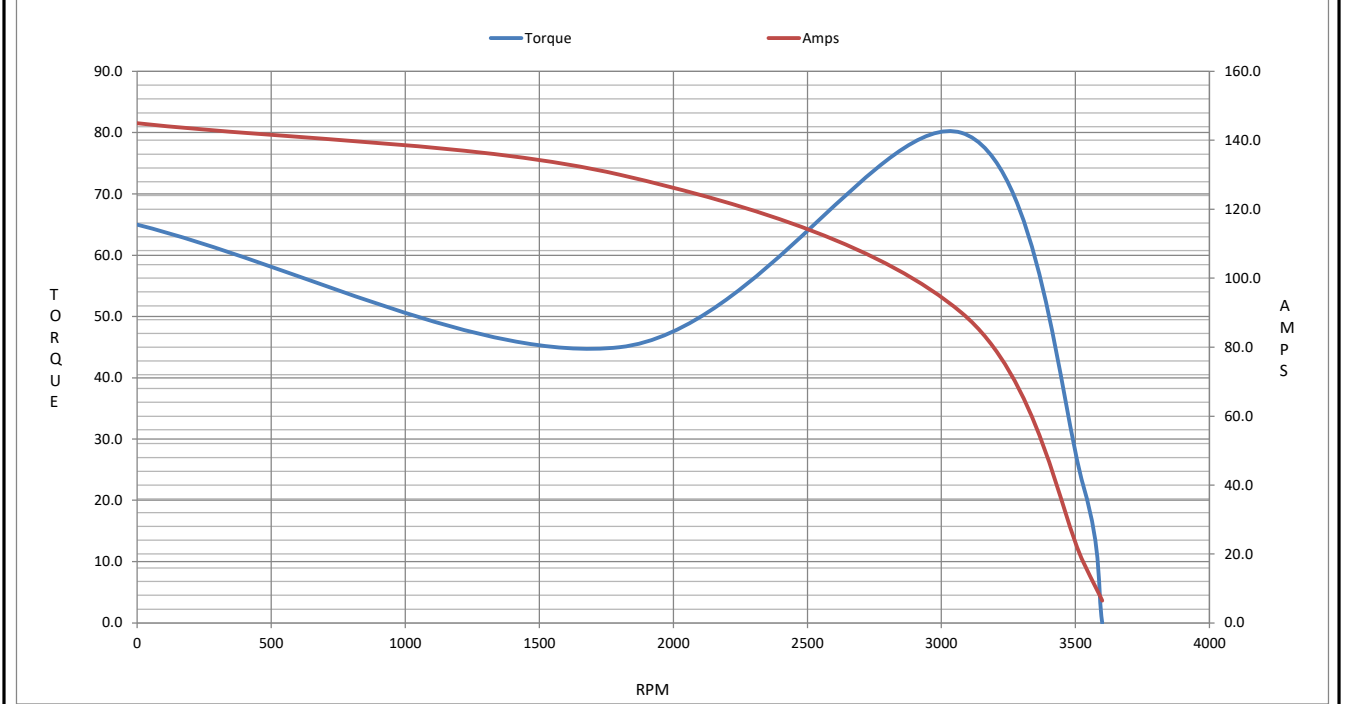
Motor Speed Data

	LR	Pull-Up	BD	Rated	Idle
Speed (RPM)	0	1800	3075	3530	3600
Current (Amps)	145	130	90.0	17.4	6.5
Torque (ft-lb)	65.0	45.0	80.0	22.2	0.00

Information Block				
HP	15.0			
Sync. RPM	3600			
Frame	215			
Enclosure	TEFC			
Construction	TFB			
Voltage	230/460#190/380 V			
Frequency	60 Hz			
Design	A			
LR Code letter	J			
Service Factor	1.15			
Temp Rise @ FL	70 ° C			
Duty	CONT			
Ambient	40 ° C			
Elevation	3,300 feet			
Rotor/Shaft wk ²	0.60 Lb-F ²			
Ref Wdg	HA31322023 NONE			
Sound Pressure @ 1M	60 dBA			
VFD Rating	CONSTANT 2:1/VARIABLE 10:1			
Outline Dwg	SS620824-200			
Conn. Diag	EE7308			
Additional Specifications:				
0				
0				
EQUIV CKT (OHMS / PHASE)				
R1	R2	X1	X2	Xm
0.3400	0.3020	1.1340	0.9450	41.5800



Speed - Torque Curve



EC Declaration of Conformity

The undersigned representing
the manufacturer:

Regal Beloit America
100 East Randolph St.
Wausau, WI 54401

and the authorized representative
established within the Community:

Marathon Electric UK
6F Thistleton Road Ind. Estate
Market Overton
Oakham, Rutland LE15 7PP UK

are committed to providing customers with products that comply with applicable regulations and international protocols to which they are subject, including the requirements of the European Parliament Directive on the Harmonization of the laws relating to electrical equipment designed for use within certain voltage limits (2014/35/EU).

Regal Beloit America declares that the following product(s), to which this declaration relates, are in conformity with the relevant sections of the EC standards listed below.

This statement supersedes any statements previously issued pertaining to the product(s) listed below and is subject to change without notice.

Model No : 215TTFB6020

(Model No. may contain prefix and/or suffix characters)

Catalog No : GT3187

Rework No : N/A

Directives :

Low Voltage Directive 2014/35/EU

Harmonized Standards Used :

EN 60034-1: 2010 (IEC 60034-1: 2010)

EN 60034-5: 2001/A1:2007 (IEC 60034-5: 2000/A1:2006)

Authorized Representative:



Michael A. Logsdon
Vice President, Technology

Authorized Representative in the Community:



Julian Clark
Marketing Engineer

Created on 09/01/2022

CE 22