

# PRODUCT INFORMATION PACKET

**marathon®**  
Motors

Model No: 215TTFBD6009

Catalog No: GT3118A-P

Globetrotter® Close-Coupled Pump Motor, 10 & 7.50 HP, 3 Ph, 60 & 50 Hz, 230/460 & 190/380 V,  
3600 & 3000 RPM, 215JM Frame, TEFC



Regal and Marathon are trademarks of Regal Rexnord Corporation or one of its affiliated companies.  
©2024 Regal Rexnord Corporation, All Rights Reserved. MC017097E

**RegalRexnord**

### Nameplate Specifications

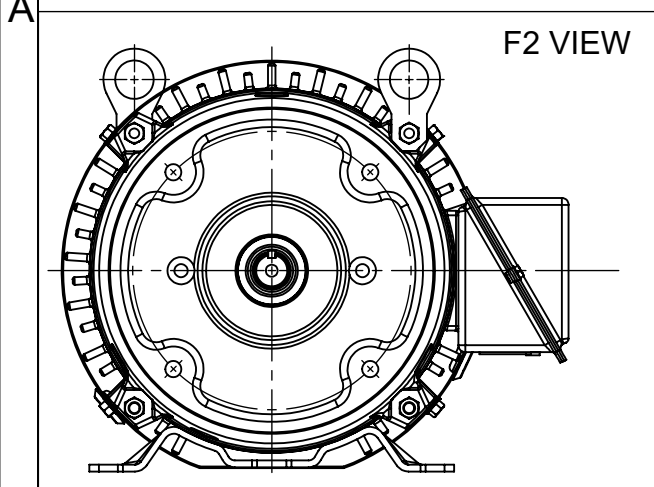
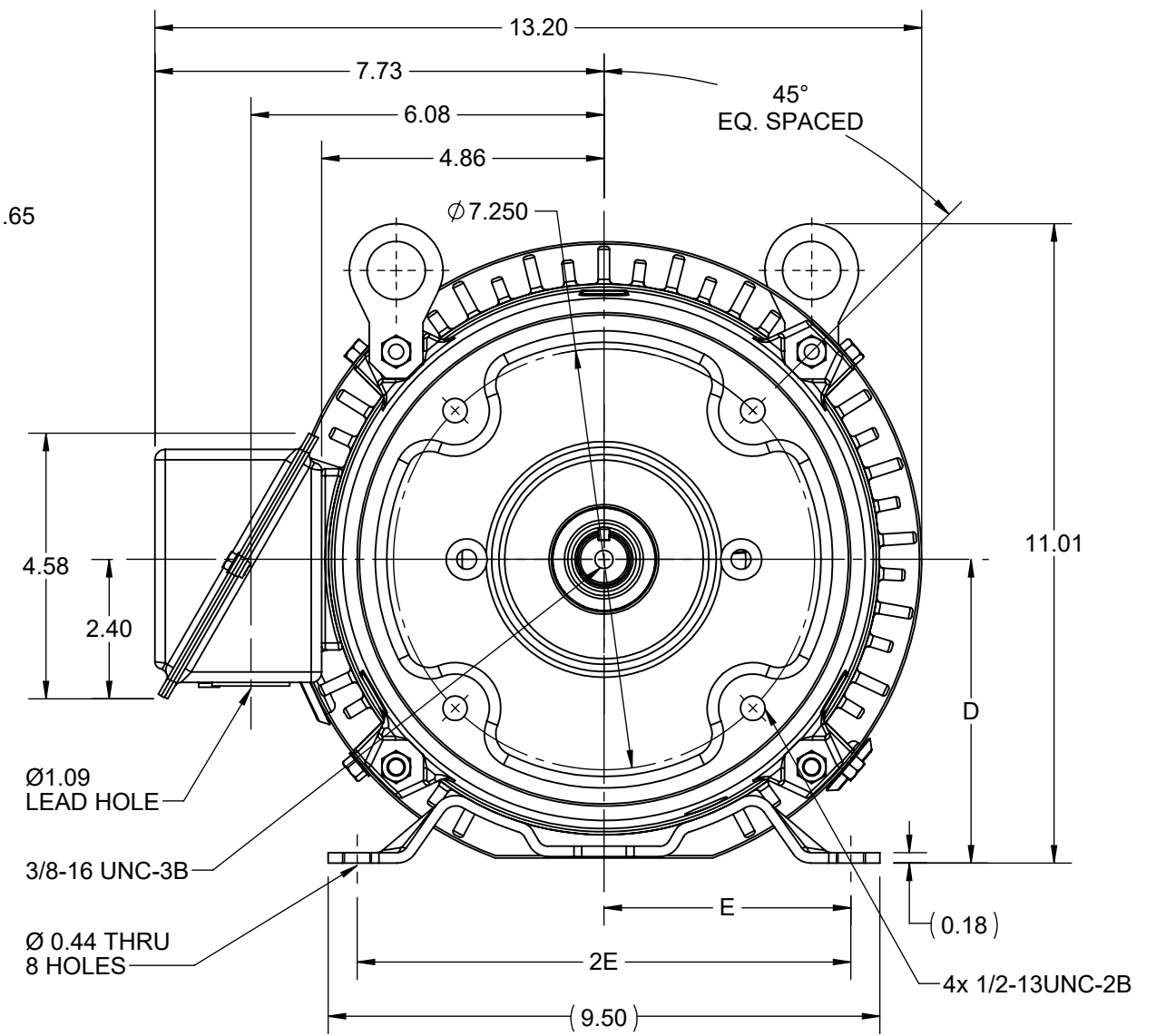
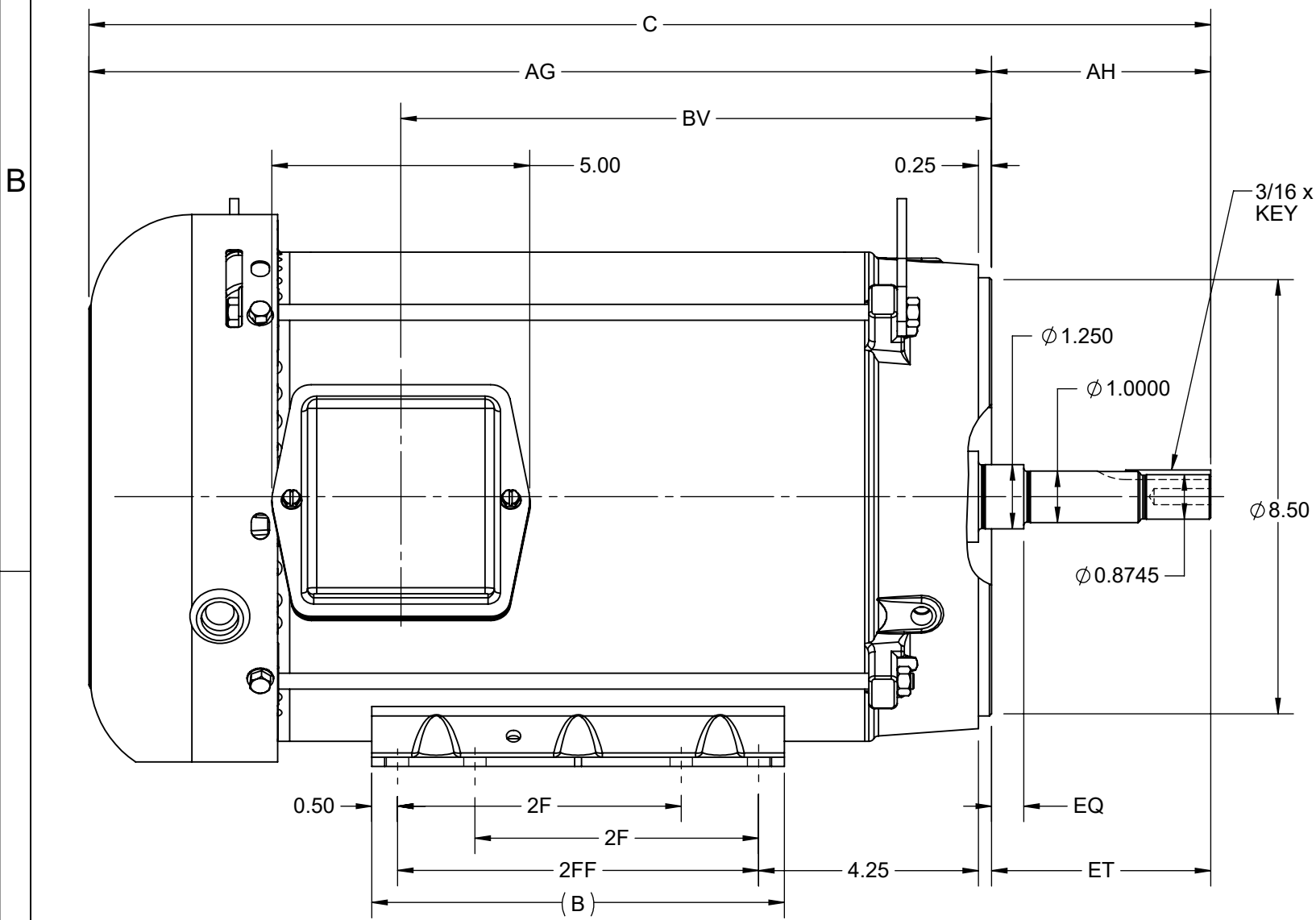
Phase	<b>3</b>	Output HP	<b>10 &amp; 7.50 Hp</b>
Output KW	<b>7.5 &amp; 5.6 kW</b>	Voltage	<b>230/460 &amp; 190/380 V</b>
Speed	<b>3518 &amp; 2925 rpm</b>	Service Factor	<b>1.15 &amp; 1.15</b>
Frame	<b>215JM</b>	Enclosure	<b>Totally Enclosed Fan Cooled</b>
Thermal Protection	<b>No Protection</b>	Efficiency	<b>90.2 &amp; 89.5 %</b>
Ambient Temperature	<b>40 °C</b>	Frequency	<b>60 &amp; 50 Hz</b>
Current	<b>23.6/11.8 &amp; 21.6/10.8 A</b>	Power Factor	<b>88</b>
Duty	<b>Continuous</b>	Insulation Class	<b>F</b>
Design Code	<b>B</b>	KVA Code	<b>G</b>
Drive End Bearing Size	<b>6309</b>	Opp Drive End Bearing Size	<b>6206</b>
UL	<b>Recognized</b>	CSA	<b>Y</b>
CE	<b>Y</b>	IP Code	<b>43</b>
Number of Speeds	<b>1</b>		

### Technical Specifications

Electrical Type	<b>Squirrel Cage Inverter Rated</b>	Starting Method	<b>Line Or Inverter</b>
Poles	<b>2</b>	Rotation	<b>Reversible</b>
Resistance Main	<b>1.218 Ohms</b>	Mounting	<b>Rigid Base</b>
Motor Orientation	<b>Horizontal</b>	Drive End Bearing	<b>Ball</b>
Opp Drive End Bearing	<b>Ball</b>	Frame Material	<b>Rolled Steel</b>
Shaft Type	<b>JM</b>	Shaft Diameter	<b>0.874 in</b>
Assembly/Box Mounting	<b>F1/F2 CAPABLE</b>	Inverter Load	<b>CONSTANT 2:1/VARIABLE 10:1</b>
Outline Drawing	<b>SS620824-200</b>	Connection Drawing	<b>EE7308</b>

This is an uncontrolled document once printed or downloaded and is subject to change without notice. Date Created:10/18/2024

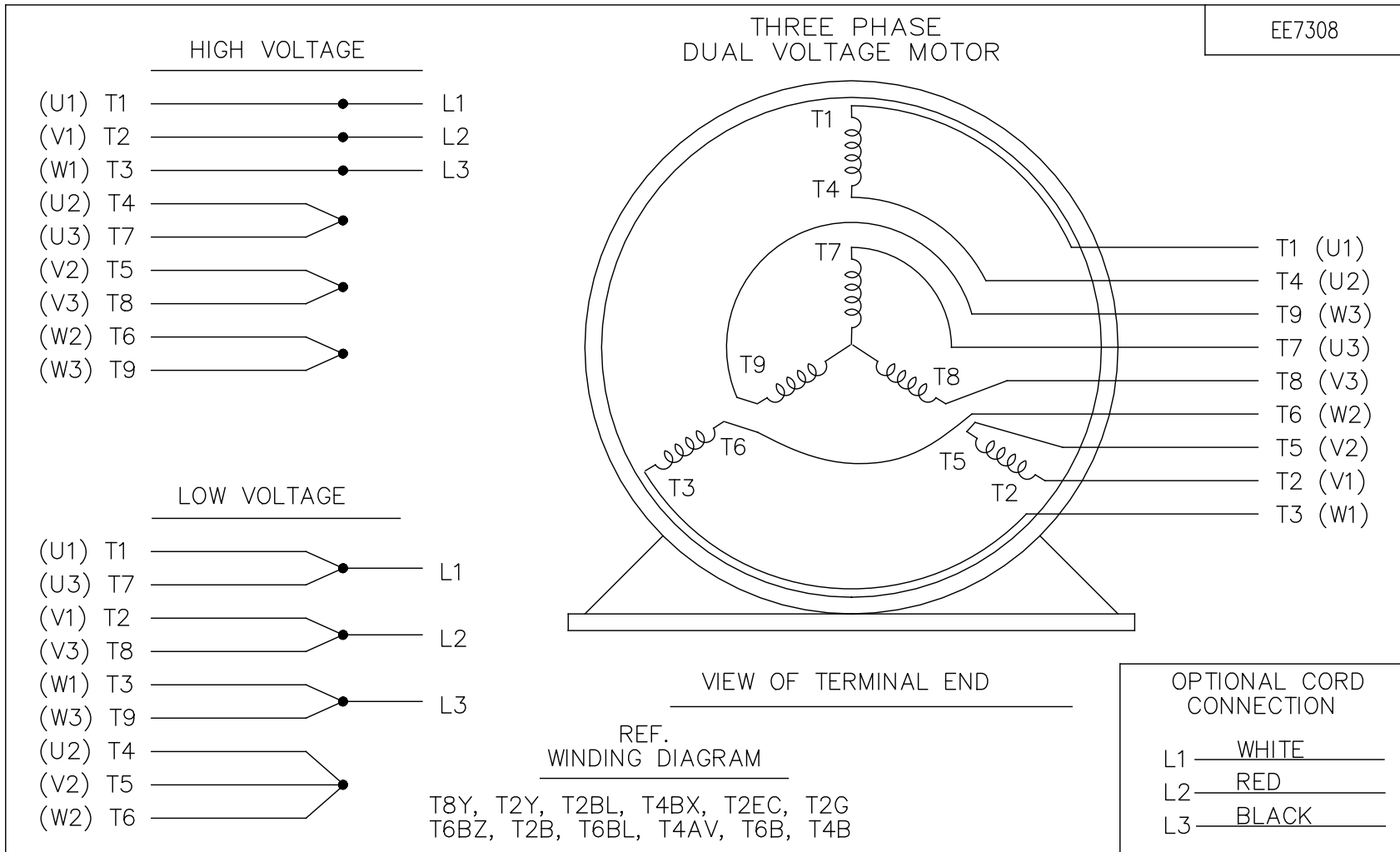
DASH NO.	4				3				2				1	
	B	C	D	E	2E	2F	2FF	AG	AH	BV	EQ	ET	MOUNTING	FRAME
100	8.00	20.25	5.25	4.25	8.50	5.50	7.00	16.00	4.25	9.95	0.63	2.87	F1 OR F2	213JM
200		21.75						17.50		11.45				215JM



DRAWING REVISION E	REVISION BY RAM	REV DATE/© DATE 09/05/2022
REQUEST NUMBER CR-0008840	APPROVED BY SBD	DATE 09/05/2022
REQUEST NUMBER DESCRIPTION FRAME AND CONDUIT BOX PART # UPDATED AS PER CR		
<small>COPYRIGHT (PER REVISION DATE) REGAL BELOIT AMERICA, INC. ALL RIGHTS RESERVED. PROPRIETARY AND CONFIDENTIAL INFORMATION - THIS DOCUMENT IS THE PROPERTY OF REGAL BELOIT AMERICA, INC. ("OWNER") AND CONTAINS OWNER'S PROPRIETARY INFORMATION. ANY PERSON, CORPORATION OR OTHER FIRM RECEIVING IT IS DEEMED, BY RECEIVING IT, TO AGREE THAT IT, AND/OR ANY PART OF IT, SHALL NOT BE DISCLOSED TO ANY PERSON, CORPORATION OR OTHER ENTITY, DUPLICATED, AND/OR USED, EXCEPT AS EXPRESSLY APPROVED IN WRITING IN ADVANCE BY OWNER. THIS DOCUMENT SHALL BE RETURNED TO OWNER UPON REQUEST. IT MAY BE SUBJECT TO CERTAIN RESTRICTIONS UNDER APPLICABLE EXPORT CONTROL LAWS AND REGULATIONS.</small>		

PRIMARY DIMENSIONS ARE INCH  
mm DIMENSIONS IN [BRACKETS]  
ARE FOR REFERENCE ONLY

DRAWN BY ZHY	Regal Beloit America, Inc.
DATE 13-04-2017	
APPROVED BY WANG YAN	DESCRIPTION <b>OUTLINE</b> 213/215JM FR NEMA TEFC RS
DATE 13-04-2017	MATERIAL
REFERENCE	PROCESS/FINISH
THIRD ANGLE PROJECTION	SIZE B
	DRAWING NUMBER SS620824
	SHEET 1 OF 1



				TOLERANCES UNLESS SPECIFIED		REGAL™ Regal Beloit America, Inc.		DRAWN RM 11/20/1990		
				DEC.	INCHES			CHK	ML 11/21/1990	
5	CHG TO REGAL LOGO	SL	09/10/2015	AB				APPD	SAS 04/24/2003	
4	REVISED IEC NOTATIONS	MSG	11/15/2011	CMN	.X	±.1	TITLE CONNECTION DIAGRAM		SCALE 1=1	
3	ADDED IEC NOTATIONS... (U1), (V1) ETC. MU95194	MSG	5/10/2010	MJS	.XX	±.02	3Ø - DUAL VOLTAGE MOTOR		REF	
2	ADDED THE OPTIONAL CORD CONNECTION MU46318	RDH	04/24/2003	DRS	.XXX	±.005	MAT'L.		FMF	
1	REDRAWN	RM	11/20/1990		.XXXX	±.0005	FINISH		PREV	
NO.	REVISION	BY & DATE	CHK	ANG	±7'30"		SIZE	DRAWING NO.	PAGE OF	REV.
THIS DRAWING IN DESIGN AND DETAIL IS OUR PROPERTY AND MUST NOT BE USED EXCEPT IN CONNECTION WITH OUR WORK ALL RIGHTS OF DESIGN AND INVENTION ARE RESERVED THIS IS AN ELECTRONICALLY GENERATED DOCUMENT - DO NOT SCALE THIS PRINT				RFP	CAD FILE ee7308		A	EE7308	5	
				DIST	WP					

## EC Declaration of Conformity

The undersigned representing  
the manufacturer:

Regal Beloit America  
100 East Randolph St.  
Wausau, WI 54401

and the authorized representative  
established within the Community:

Marathon Electric UK  
6F Thistleton Road Ind. Estate  
Market Overton  
Oakham, Rutland LE15 7PP UK

are committed to providing customers with products that comply with applicable regulations and international protocols to which they are subject, including the requirements of the European Parliament Directive on the Harmonization of the laws relating to electrical equipment designed for use within certain voltage limits (2014/35/EU).

Regal Beloit America declares that the following product(s), to which this declaration relates, are in conformity with the relevant sections of the EC standards listed below.

This statement supersedes any statements previously issued pertaining to the product(s) listed below and is subject to change without notice.

Model No : 215TTFBD6009

(Model No. may contain prefix and/or suffix characters)

Catalog No : GT3118A-P

Rework No : N/A

Directives :

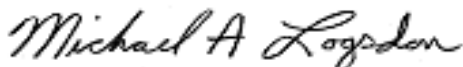
Low Voltage Directive 2014/35/EU

Harmonized Standards Used :

EN 60034-1: 2010 (IEC 60034-1: 2010)

EN 60034-5: 2001/A1:2007 (IEC 60034-5: 2000/A1:2006)

Authorized Representative:



Michael A. Logsdon  
Vice President, Technology

Authorized Representative in the Community:



Julian Clark  
Marketing Engineer

Created on 09/01/2022

**CE 22**