

# PRODUCT INFORMATION PACKET

marathon®  
Motors

Model No: 215TTFBD6001

Catalog No: GT12174

Globetrotter® General Purpose Motor, 15 & 10 HP, 3 Ph, 60 & 50 Hz, 230/460 & 190/380 V,  
3600 & 3000 RPM, 215TC Frame, TEFC



Regal and Marathon are trademarks of Regal Rexnord Corporation or one of its affiliated companies.

©2024 Regal Rexnord Corporation, All Rights Reserved. MC017097E

RegalRexnord

### Nameplate Specifications

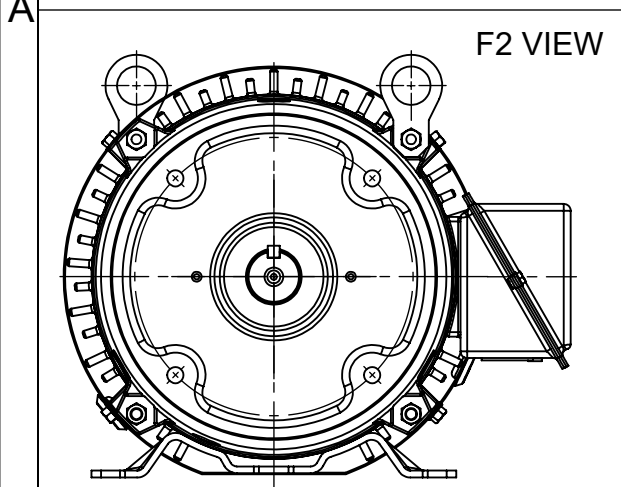
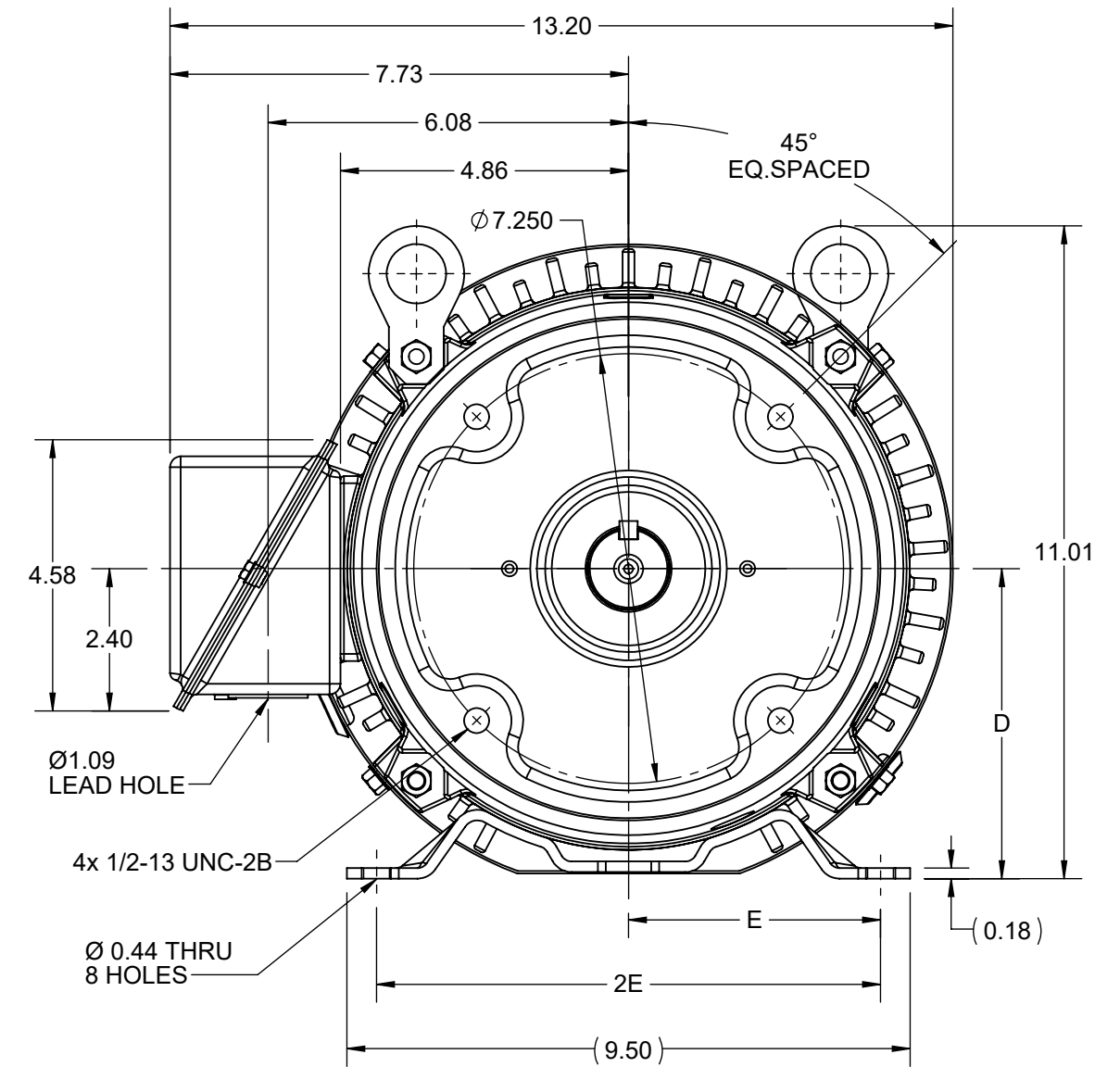
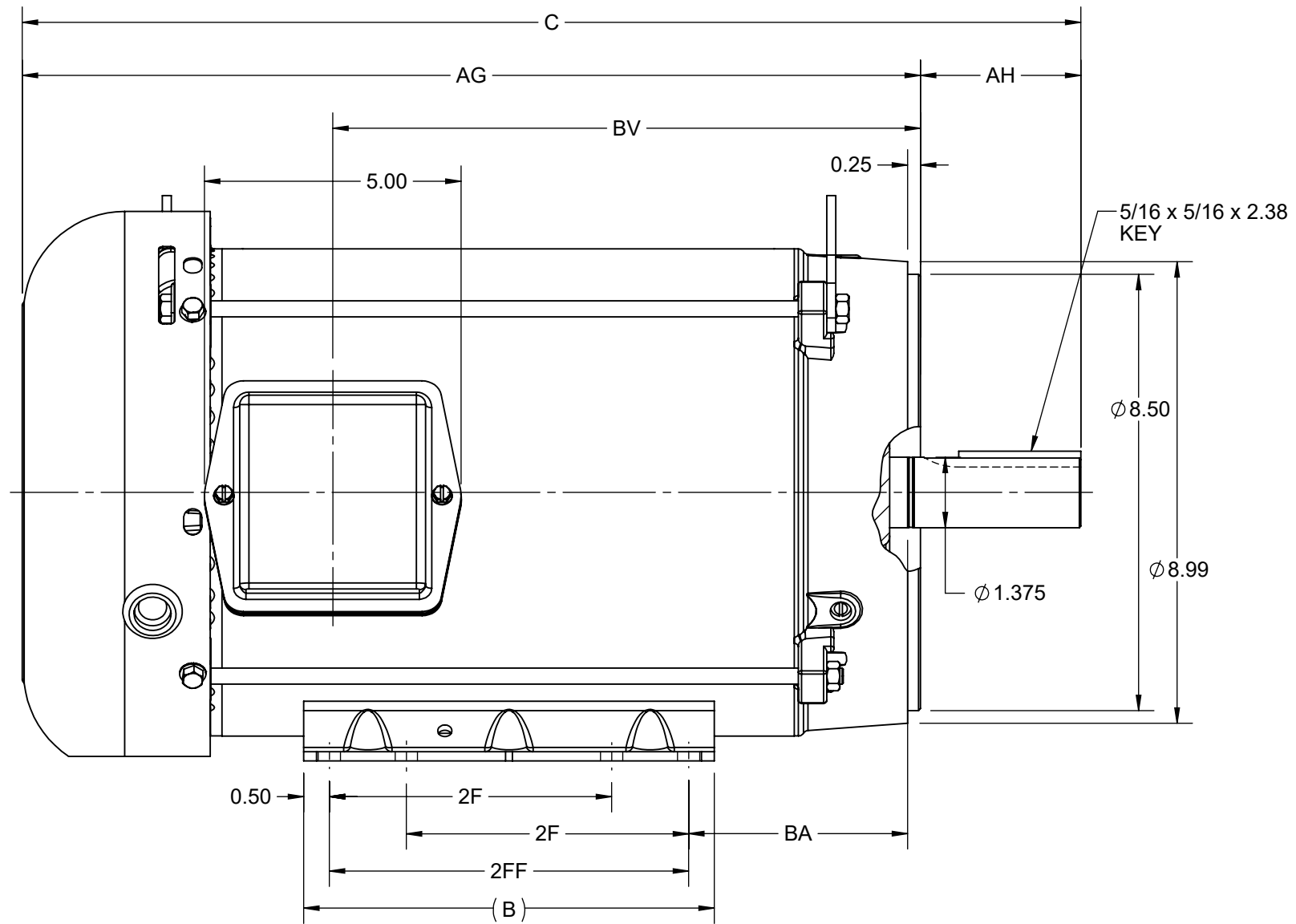
|                        |                                |                            |                                    |
|------------------------|--------------------------------|----------------------------|------------------------------------|
| Phase                  | <b>3</b>                       | Output HP                  | <b>15 &amp; 10 Hp</b>              |
| Output KW              | <b>11.2 &amp; 7.5 kW</b>       | Voltage                    | <b>230/460 &amp; 190/380 V</b>     |
| Speed                  | <b>3530 &amp; 2944 rpm</b>     | Service Factor             | <b>1.15 &amp; 1.15</b>             |
| Frame                  | <b>215TC</b>                   | Enclosure                  | <b>Totally Enclosed Fan Cooled</b> |
| Thermal Protection     | <b>No Protection</b>           | Efficiency                 | <b>91.7 &amp; 91 %</b>             |
| Ambient Temperature    | <b>40 °C</b>                   | Frequency                  | <b>60 &amp; 50 Hz</b>              |
| Current                | <b>35/17.4 &amp; 29/14.5 A</b> | Power Factor               | <b>88</b>                          |
| Duty                   | <b>Continuous</b>              | Insulation Class           | <b>F</b>                           |
| Design Code            | <b>A</b>                       | KVA Code                   | <b>J</b>                           |
| Drive End Bearing Size | <b>6307</b>                    | Opp Drive End Bearing Size | <b>6206</b>                        |
| UL                     | <b>Listed</b>                  | CSA                        | <b>Y</b>                           |
| CE                     | <b>Y</b>                       | IP Code                    | <b>43</b>                          |
| Number of Speeds       | <b>1</b>                       | Hazardous Location         | <b>DIVISION 2 T2B</b>              |

### Technical Specifications

|                       |                                     |                    |                                   |
|-----------------------|-------------------------------------|--------------------|-----------------------------------|
| Electrical Type       | <b>Squirrel Cage Inverter Rated</b> | Starting Method    | <b>Line Or Inverter</b>           |
| Poles                 | <b>2</b>                            | Rotation           | <b>Reversible</b>                 |
| Resistance Main       | <b>.56 Ohms</b>                     | Mounting           | <b>Rigid Base</b>                 |
| Motor Orientation     | <b>Horizontal</b>                   | Drive End Bearing  | <b>Ball</b>                       |
| Opp Drive End Bearing | <b>Ball</b>                         | Frame Material     | <b>Rolled Steel</b>               |
| Shaft Type            | <b>T</b>                            | Shaft Diameter     | <b>1.375 in</b>                   |
| Assembly/Box Mounting | <b>F1/F2 CAPABLE</b>                | Inverter Load      | <b>CONSTANT 2:1/VARIABLE 10:1</b> |
| Outline Drawing       | <b>SS620688-200</b>                 | Connection Drawing | <b>EE7308</b>                     |

This is an uncontrolled document once printed or downloaded and is subject to change without notice. Date Created:10/18/2024

| DASH NO. | B    | C     | D    | E    | 2E   | 2F   | 2FF  | AG    | AH   | BA   | BV    | MOUNTING | FRAME |
|----------|------|-------|------|------|------|------|------|-------|------|------|-------|----------|-------|
| 100      | 8.00 | 19.13 | 5.25 | 4.25 | 8.50 | 5.50 | 7.00 | 16.00 | 3.12 | 4.25 | 9.95  | F1 OR F2 | 213TC |
| 200      |      | 20.63 |      |      |      |      |      | 17.50 |      |      | 11.45 |          | 215TC |



|   |                       |                               |
|---|-----------------------|-------------------------------|
| DRAWING REVISION<br>D   | REVISION BY<br>GOPI J | REV DATE/© DATE<br>09/05/2022 |
| REQUEST NUMBER<br>CR-0008840  | APPROVED BY<br>GNK    | DATE<br>09/05/2022            |
| REQUEST NUMBER DESCRIPTION<br>FRAME AND CONDUIT BOX PART # UPDATED AS PER CR  |                       |                               |
| <small>COPYRIGHT (PER REVISION DATE) REGAL BELOIT AMERICA, INC. ALL RIGHTS RESERVED. PROPRIETARY AND CONFIDENTIAL INFORMATION - THIS DOCUMENT IS THE PROPERTY OF REGAL BELOIT AMERICA, INC. ("OWNER") AND CONTAINS OWNER'S PROPRIETARY INFORMATION. ANY PERSON, CORPORATION OR OTHER FIRM RECEIVING IT IS DEEMED, BY RECEIVING IT, TO AGREE THAT IT, AND/OR ANY PART OF IT, SHALL NOT BE DISCLOSED TO ANY PERSON, CORPORATION OR OTHER ENTITY, DUPLICATED, AND/OR USED, EXCEPT AS EXPRESSLY APPROVED IN WRITING IN ADVANCE BY OWNER. THIS DOCUMENT SHALL BE RETURNED TO OWNER UPON REQUEST. IT MAY BE SUBJECT TO CERTAIN RESTRICTIONS UNDER APPLICABLE EXPORT CONTROL LAWS AND REGULATIONS.</small> |                       |                               |

PRIMARY DIMENSIONS ARE INCH  
mm DIMENSIONS IN [BRACKETS]  
ARE FOR REFERENCE ONLY

|                        |  |
|------------------------|--|
| DRAWN BY<br>ZXW        | <br>Regal Beloit America, Inc.                             |
| DATE<br>06/03/2015     |  |
| APPROVED BY<br>ZYH     | DESCRIPTION<br><b>OUTLINE</b><br>213/215TC FR NEMA TEFC RS |
| DATE<br>06/03/2015     | MATERIAL   |
| REFERENCE              | PROCESS/FINISH   |
| THIRD ANGLE PROJECTION | SIZE<br>B  |
|                        | DRAWING NUMBER<br><b>SS620688</b>                          |
|                        | SHEET<br>1 OF 1  |

EE7308

THREE PHASE  
DUAL VOLTAGE MOTOR



VIEW OF TERMINAL END

REF.  
WINDING DIAGRAM

T8Y, T2Y, T2BL, T4BX, T2EC, T2G  
T6BZ, T2B, T6BL, T4AV, T6B, T4B

OPTIONAL CORD  
CONNECTION

L1 — WHITE  
L2 — RED  
L3 — BLACK

| NO.  | REVISION                                       | BY & DATE      | CHK | ANG   | TOLERANCES<br>UNLESS SPECIFIED |        | FINISH  | DRAWN RM 11/20/1990 |        |                    |           |        |
|--|--|----------------|-----|-------|--------------------------------|--------|---|---------------------|--------|--------------------|-----------|--------|
|  |  |                |     |       | DEC.                           | INCHES |   |                     |        |                    |           |        |
| 5  | CHG TO REGAL LOGO                              | SL 09/10/2015  | AB  |       |                                |        |   | CHK ML 11/21/1990   |        |                    |           |        |
| 4  | REVISED IEC NOTATIONS                          | MSG 11/15/2011 | CMN | .X    | ±.1                            |        |   | APPD SAS 04/24/2003 |        |                    |           |        |
| 3  | ADDED IEC NOTATIONS... (U1), (V1) ETC. MU95194 | MSG 5/10/2010  | MJS | .XX   | ±.02                           |        |   | SCALE 1=1           |        |                    |           |        |
| 2  | ADDED THE OPTIONAL CORD CONNECTION MU46318     | RDH 04/24/2003 | DRS | .XXX  | ±.005                          |        | TITLE CONNECTION DIAGRAM<br>3Ø - DUAL VOLTAGE MOTOR | REF                 |        |                    |           |        |
| 1  | REDRAWN  | RM 11/20/1990  |     | .XXXX | ±.0005                         |        | MAT'L.  | FMF                 |        |                    |           |        |
|  |  |                |     |       | ±7'30"                         |        |   | PREV                |        |                    |           |        |
| THIS DRAWING IN DESIGN AND DETAIL IS OUR PROPERTY AND MUST NOT BE USED EXCEPT IN CONNECTION WITH OUR WORK ALL RIGHTS OF DESIGN AND INVENTION ARE RESERVED THIS IS AN ELECTRONICALLY GENERATED DOCUMENT - DO NOT SCALE THIS PRINT |  |                |     |       |                                |        | RFP   | CAD FILE ee7308     | SIZE A | DRAWING NO. EE7308 | PAGE OF 5 | REV. 5 |
|  |  |                |     |       |                                |        | DIST WP   |                     |        |                    |           |        |



Regal Beloit America, Inc.

## EC Declaration of Conformity

The undersigned representing  
the manufacturer:

Regal Beloit America  
100 East Randolph St.  
Wausau, WI 54401

and the authorized representative  
established within the Community:

Marathon Electric UK  
6F Thistleton Road Ind. Estate  
Market Overton  
Oakham, Rutland LE15 7PP UK

are committed to providing customers with products that comply with applicable regulations and international protocols to which they are subject, including the requirements of the European Parliament Directive on the Harmonization of the laws relating to electrical equipment designed for use within certain voltage limits (2014/35/EU).

Regal Beloit America declares that the following product(s), to which this declaration relates, are in conformity with the relevant sections of the EC standards listed below.

This statement supersedes any statements previously issued pertaining to the product(s) listed below and is subject to change without notice.

Model No : 215TTFB6001

(Model No. may contain prefix and/or suffix characters)

Catalog No : GT12174

Rework No : N/A

Directives :

Low Voltage Directive 2014/35/EU

Harmonized Standards Used :

EN 60034-1: 2010 (IEC 60034-1: 2010)

EN 60034-5: 2001/A1:2007 (IEC 60034-5: 2000/A1:2006)

Authorized Representative:



Michael A. Logsdon  
Vice President, Technology

Authorized Representative in the Community:



Julian Clark  
Marketing Engineer

Created on 09/01/2022

**CE 22**