

PRODUCT INFORMATION PACKET

marathon[®]
Motors

Model No: 215TTFBD16050
Catalog No: C413
Brake Motor

Regal and Marathon are trademarks of Regal Rexnord Corporation or one of its affiliated companies.
©2022 Regal Rexnord Corporation, All Rights Reserved. MC017097E

The logo for Regal Rexnord, featuring a stylized 'R' icon followed by the text 'RegalRexnord'.

Nameplate Specifications

Technical Specifications

Connection Drawing

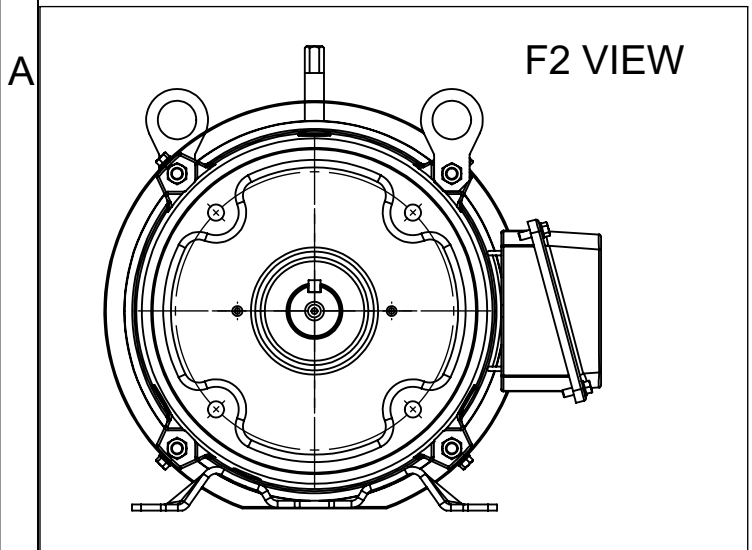
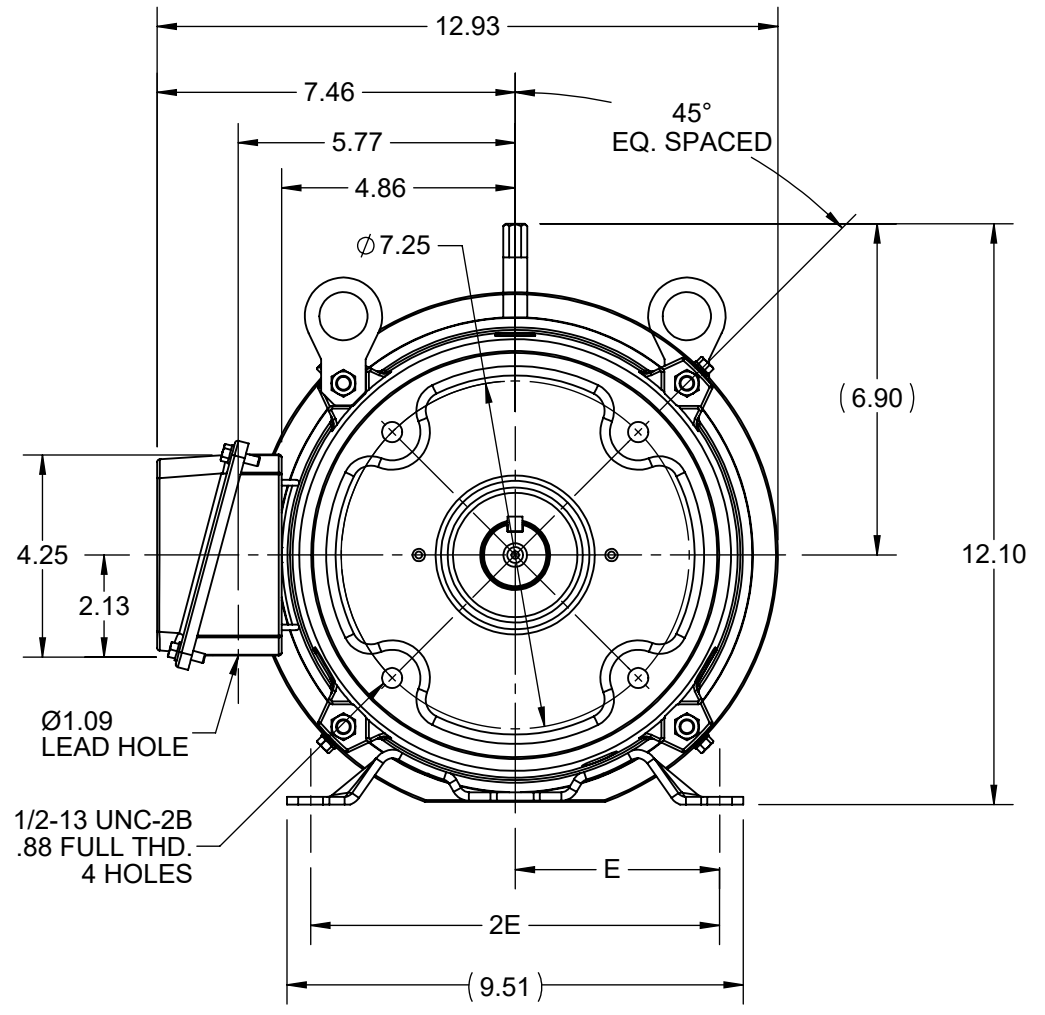
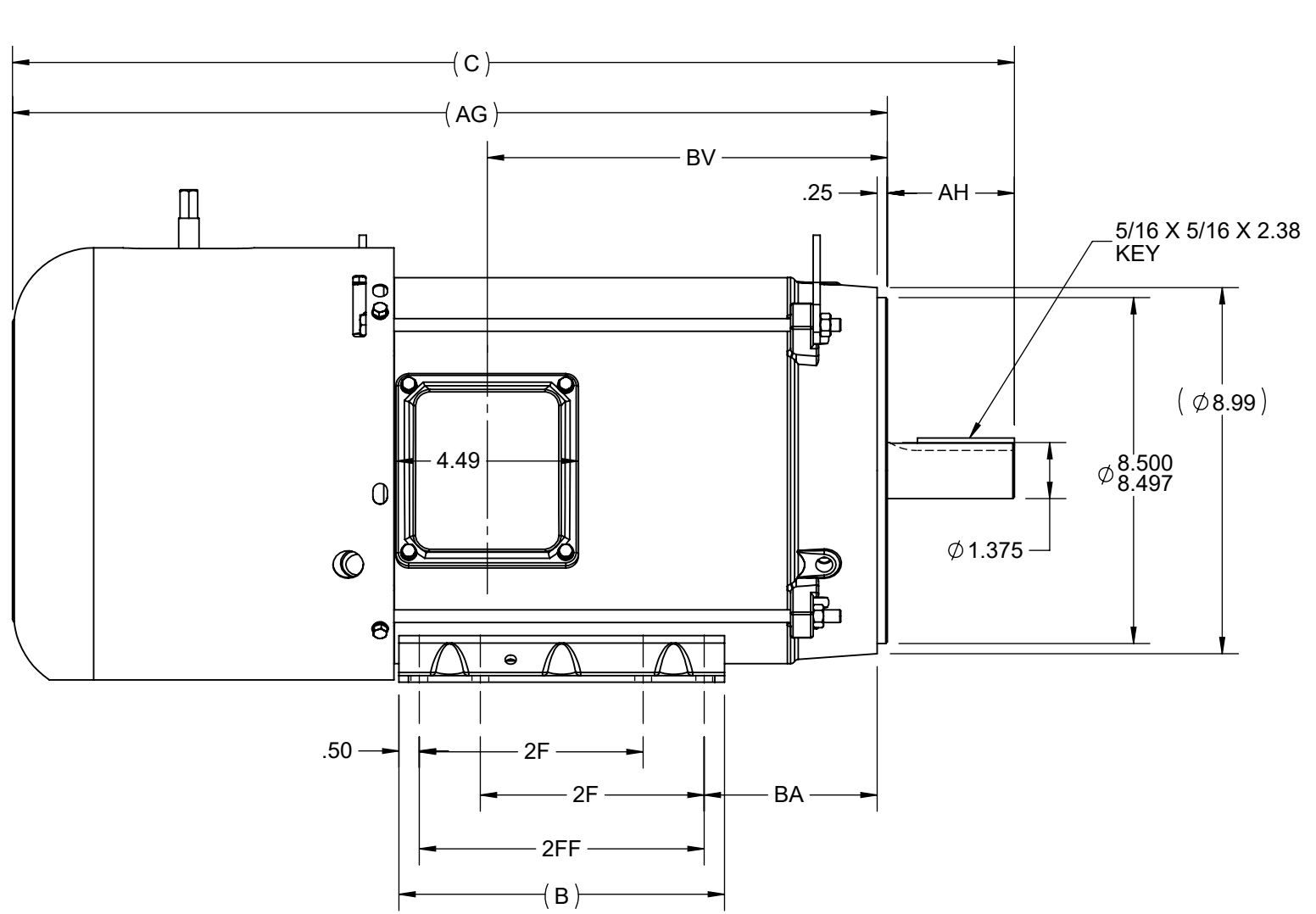
EE7308

Outline Drawing

SS621221

This is an uncontrolled document once printed or downloaded and is subject to change without notice. Date Created:11/30/2022

4								3				2		1	
DASH	FRAME	B	C	E	2E	2F	2FF	AG	AH	BA	BV	MOUNTING			
100	213TC	8.00	24.62	4.25	8.50	5.50	7.00	21.50	3.12	4.25	9.94	F1 OR F2			
200	215TC		26.12					23.00			11.44				



DRAWING REVISION A	REVISION BY GOPI	REV DATE/© DATE 11/11/2021	TOLERANCES (EXCEPT AS NOTED): DEC. mm INCH ANGLE NONE ±.3 [±0.1] ±7' 30"		DRAWN BY GOPI	REGAL ® Regal Beloit America, Inc.		
REQUEST NUMBER CR-0005383	APPROVED BY VR	DATE 11/11/2021	.X ±0.5 [±0.02]	.XX ±0.13 [±0.005]	DATE 11/11/2021		DESCRIPTION OUTLINE	
REQUEST NUMBER DESCRIPTION NEW DRAWING RELEASE			.XXX ±0.013 [±0.0005]	REMOVE BURRS & BREAK SHARP EDGES: .08/.38 [.003/.015] X 45° CORNER FILLETS: R.5 [.02]	APPROVED BY VR	210 FR. - TEFC WITH BRAKE - R/S - C' FACE		
COPYRIGHT (PER REVISION DATE) REGAL BELOIT AMERICA, INC. ALL RIGHTS RESERVED. PROPRIETARY AND CONFIDENTIAL INFORMATION - THIS DOCUMENT IS THE PROPERTY OF REGAL BELOIT AMERICA, INC. ("OWNER") AND CONTAINS OWNER'S PROPRIETARY INFORMATION. ANY PERSON, CORPORATION OR OTHER FIRM RECEIVING IT IS DEEMED, BY RECEIVING IT, TO AGREE THAT IT, AND/OR ANY PART OF IT, SHALL NOT BE DISCLOSED TO ANY PERSON, CORPORATION OR OTHER ENTITY, DUPLICATED, AND/OR USED, EXCEPT AS EXPRESSLY APPROVED IN WRITING IN ADVANCE BY OWNER. THIS DOCUMENT SHALL BE RETURNED TO OWNER UPON REQUEST. IT MAY BE SUBJECT TO CERTAIN RESTRICTIONS UNDER APPLICABLE EXPORT CONTROL LAWS AND REGULATIONS.			MACHINED SURFACES: 200 5.1 INCH mm	DATE 11/11/2021	MATERIAL	PROCESS/FINISH		
			INCH DIMENSIONS IN [BRACKETS] ARE FOR REFERENCE ONLY	THIRD ANGLE PROJECTION	REFERENCE	SIZE B	DRAWING NUMBER SS621221	SHEET 1 OF 1

EE7308

THREE PHASE
DUAL VOLTAGE MOTOR



VIEW OF TERMINAL END

REF.
WINDING DIAGRAM

T8Y, T2Y, T2BL, T4BX, T2EC, T2G
T6BZ, T2B, T6BL, T4AV, T6B, T4B

OPTIONAL CORD
CONNECTION

L1 — WHITE
L2 — RED
L3 — BLACK

NO.	REVISION	BY & DATE	CHK	ANG	TOLERANCES UNLESS SPECIFIED		FINISH	DRAWING NO.	PAGE	OF	REV.
					DEC.	INCHES					
5	CHG TO REGAL LOGO	SL 09/10/2015	AB					EE7308			
4	REVISED IEC NOTATIONS	MSG 11/15/2011	CMN	.X	±.1						
3	ADDED IEC NOTATIONS... (U1), (V1) ETC. MU95194	MSG 5/10/2010	MJS	.XX	±.02						
2	ADDED THE OPTIONAL CORD CONNECTION MU46318	RDH 04/24/2003	DRS	.XXX	±.005						
1	REDRAWN	RM 11/20/1990		.XXXX	±.0005						
					±7'30"						
THIS DRAWING IN DESIGN AND DETAIL IS OUR PROPERTY AND MUST NOT BE USED EXCEPT IN CONNECTION WITH OUR WORK ALL RIGHTS OF DESIGN AND INVENTION ARE RESERVED THIS IS AN ELECTRONICALLY GENERATED DOCUMENT - DO NOT SCALE THIS PRINT							RFP	CAD FILE ee7308	SIZE A	DRAWING NO. EE7308	PAGE 5
							DIST WP				

REGAL™ Regal Beloit America, Inc.

TITLE CONNECTION DIAGRAM
3Ø - DUAL VOLTAGE MOTOR