

PRODUCT INFORMATION PACKET

Model No: 215TTDW7376

Catalog No: Y201

Other Purpose Motor, 3 HP, 3 Ph, 60 Hz, 230/460/796 V, 1200 RPM, 215T Frame, DP



Regal and are trademarks of Regal Rexnord Corporation or one of its affiliated companies.
©2022 Regal Rexnord Corporation, All Rights Reserved. MC017097E

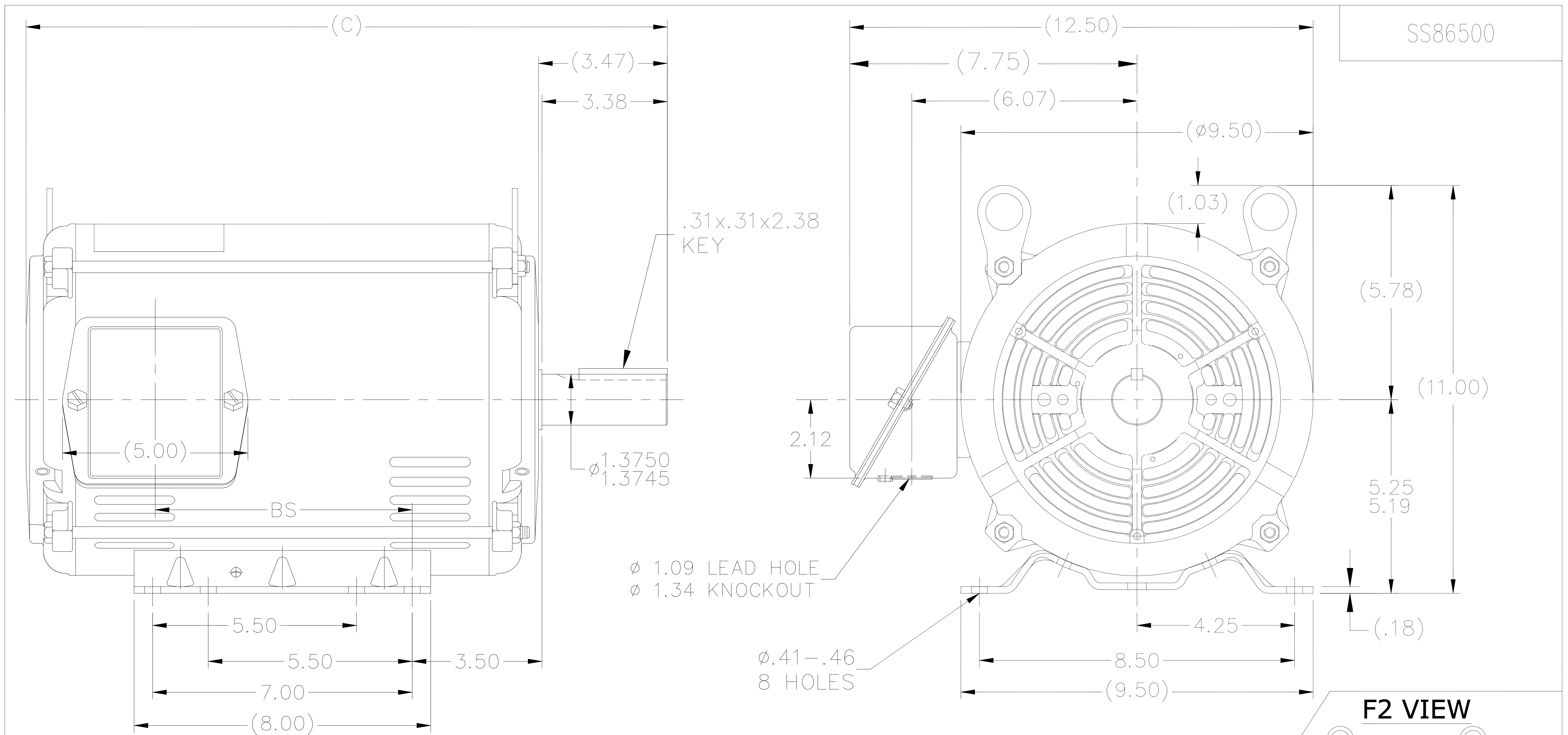
The logo for Regal Rexnord, featuring a stylized 'R' icon followed by the text 'RegalRexnord' in a blue sans-serif font.

Nameplate Specifications

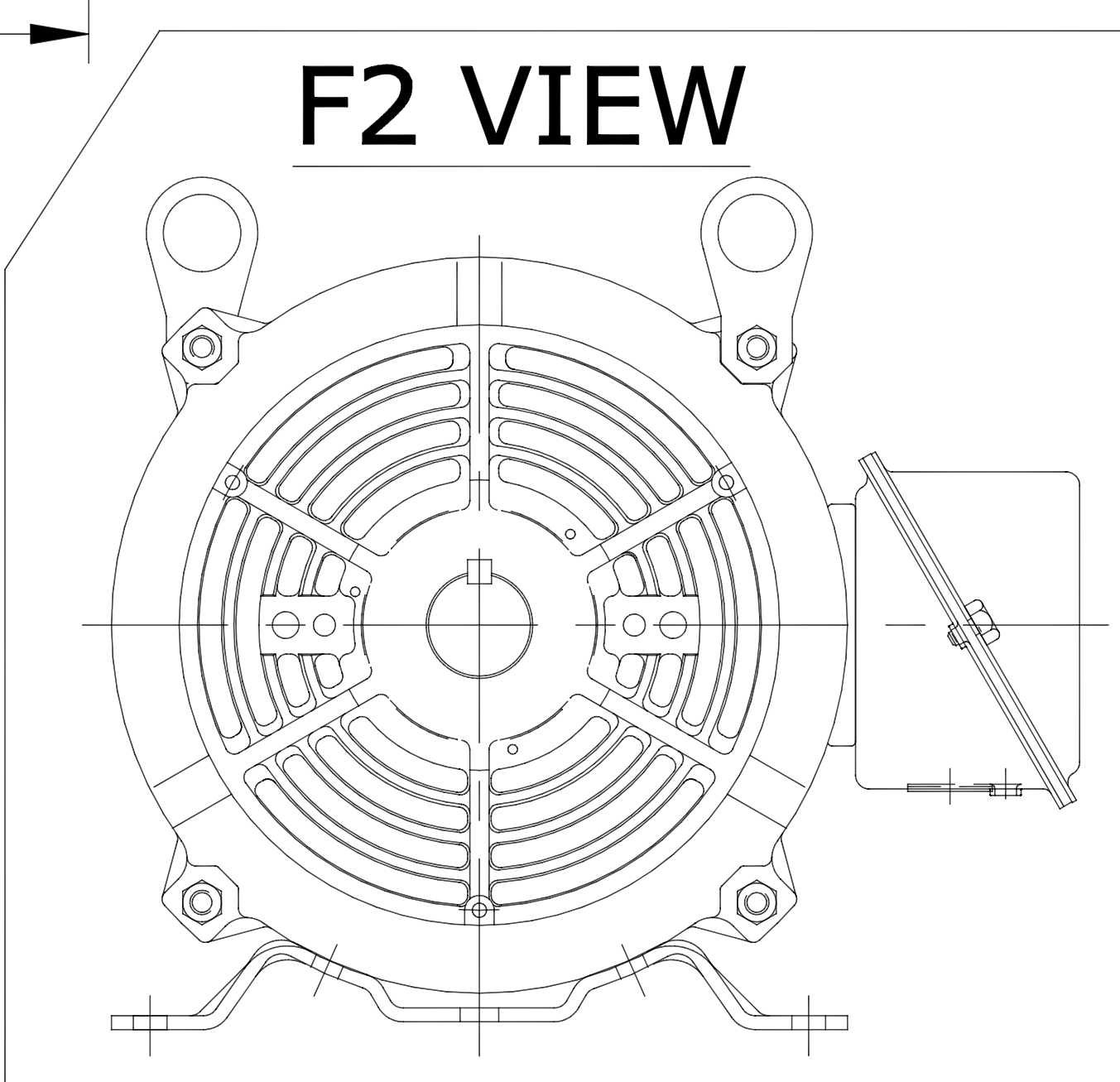
Output HP	3 Hp	Output KW	2.2 kW
Frequency	60 Hz	Voltage	230/460/796 V
Current	10.6/5.3/3.1 A	Speed	1130 rpm
Service Factor	1.15	Phase	3
Efficiency	82.5 %	Power Factor	64.5
Duty	Oil Well	Insulation Class	F
Design Code	D	KVA Code	J
Frame	215T	Enclosure	Drip Proof
Thermal Protection	No Protection	Ambient Temperature	40 °C
Drive End Bearing Size	6307	Opp Drive End Bearing Size	6208
UL	Recognized	CSA	N
CE	N	IP Code	22
Number of Speeds	1		

Technical Specifications

Electrical Type	Squirrel Cage Induction Run	Starting Method	Across The Line
Poles	6	Rotation	Reversible
Resistance Main	3.54 Ohms	Mounting	Rigid Base
Motor Orientation	Horizontal	Drive End Bearing	Ball
Opp Drive End Bearing	Ball	Frame Material	Rolled Steel
Shaft Type	T	Overall Length	17.30 in
Frame Length	11.15 in	Shaft Diameter	1.375 in
Shaft Extension	3.47 in	Assembly/Box Mounting	F2/F1 Capable
Outline Drawing	A-SS86500-1115	Connection Drawing	A-EE7326C




SS86500

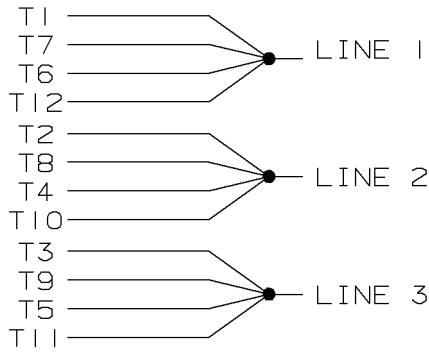


- NOTES:
1. NAMEPLATE TO BE READ FROM C'BOX SIDE OF MOTOR.
 2. BOX CAN BE MOUNTED IN 90° STEPS.
 3. BOX CAN BE MOUNTED ON OPPOSITE SIDE BY REMOVING BRACKETS AND TURNING FRAME 180°. (EXCEPT AS NOTED.)

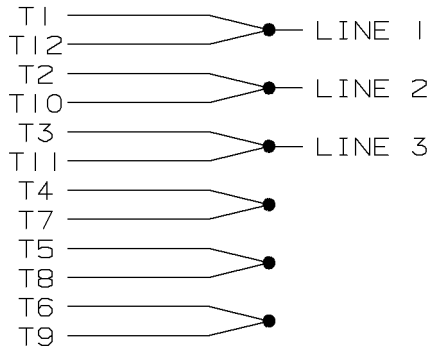
DASH	FR.	C	BS	MOUNTING
1115	213/15T	17.30	6.93	F1/F2
1240	213/15T	18.55	8.18	F1 ONLY

14	TITLE BLOCK LOGO CHANGE PER ECO-0078542	MDV 06/09/2015	MDV	TOLERANCES UNLESS SPECIFIED		 Regal Beloit America, Inc.	DRAWN SMC 04-13-1993			
13	FOR FRAME 11.15 MOUNTING NOTE ADDED	UD 12/13/12	SR	DEC.	INCHES		CHK MOL 04-04-1993			
12	ADDED: F2 VIEW.	KVN 2/10/2009	SVL	.X	±.1		APPD DRN 04-13-1993			
11	UPDATED DRAWING	TJW 04/27/2007		.XX	±.03	TITLE OUTLINE	SCALE 1=4			
10	REM'VD. DASH 965 FROM SERIES CN38252	RWR 07-20-2004	ML	.XXX	±.005	210 FR. - BB - TS - DR. PR.	REF			
9	REDRAWN IN AUTOCAD	TAT 06-29-2004	ML	.XXXX	±.0005	MAT'L.	FMF			
NO.	REVISION	BY & DATE	CHK	ANG	±7'30"	FINISH	PREV			
THIS DRAWING IN DESIGN AND DETAIL IS OUR PROPERTY AND MUST NOT BE USED EXCEPT IN CONNECTION WITH OUR WORK ALL RIGHTS OF DESIGN AND INVENTION ARE RESERVED THIS IS AN ELECTRONICALLY GENERATED DOCUMENT - DO NOT SCALE THIS PRINT			RFP	CAD FILE ss86500			SIZE A	DRAWING NO. SS86500	PAGE 1 OF 1	REV. 14
			DIST LB							

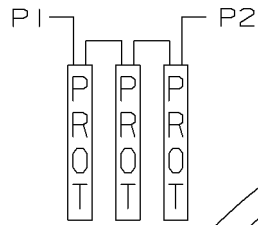
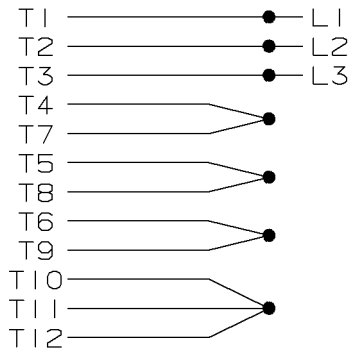
LOW VOLTAGE



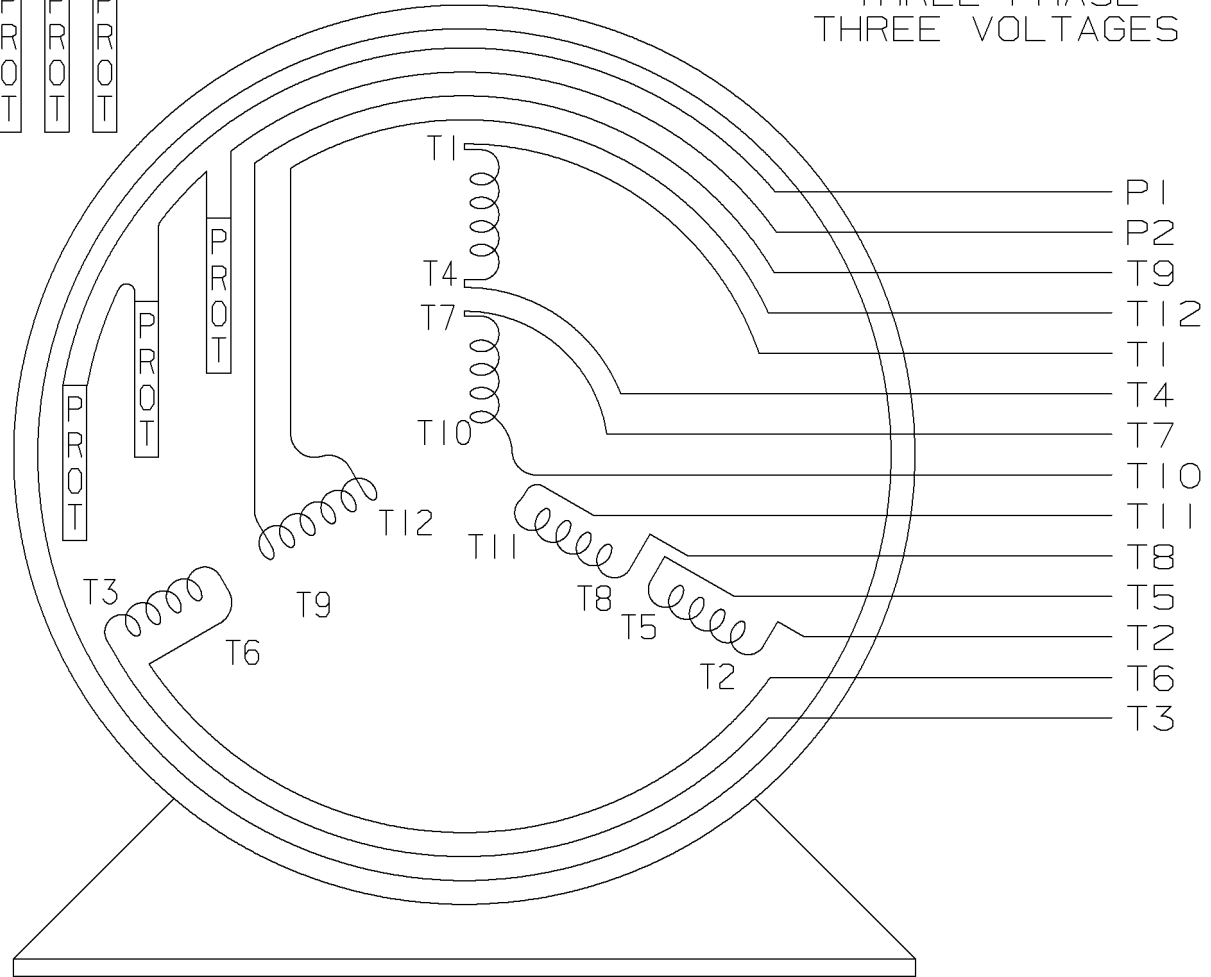
MED. VOLTAGE



HIGH VOLTAGE



THREE PHASE
THREE VOLTAGES



L.V. 2 DELTA M.V. 1 DELTA H.V. 1Y

T6F

				<input checked="" type="checkbox"/> MAX. SURFACE ROUGHNESS UNLESS NOTED OTHERWISE		UNLESS OTHERWISE SPECIFIED DIMENSIONS ARE IN INCHES TOL. ON XX± XXX±.005 XXXX±.0005 ANGLES±				
				MATL SPEC				DRAWN BY BLR		03-09-1998
				FINISH				CHKD BY ML		03-26-1998
5		03-26-1998		REDRAWN ON CADD, NO CHANGE		BLR		APPD BY GK		03-26-1998
REV		DATE		CHANGE		NAME		PART NAME CONNECTION DIAGRAM		DRWG NO
						3Ø - 12 LEAD		A- EE7326C		
		SHOP BOOK		PURCHASED		DISTRIBUTION - WA - LB - WP - LM		CADD FILE NO.		EE7326C