

PRODUCT INFORMATION PACKET

Model No: 215TTDBD7205

Catalog No: Y469A

General Purpose Motor, 5 & 1.25 HP, 3 Ph, 60 Hz, 460 & 460 V, 1800 & 1800 RPM, 215T Frame, DP



Regal and Marathon are trademarks of Regal Rexnord Corporation or one of its affiliated companies.

©2024 Regal Rexnord Corporation, All Rights Reserved. MC017097E

Nameplate Specifications

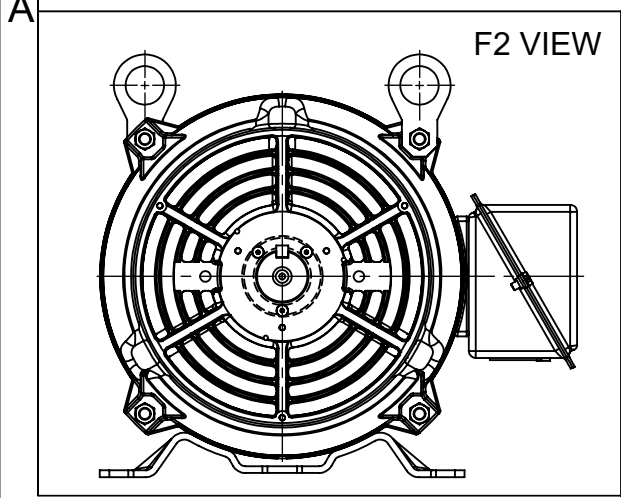
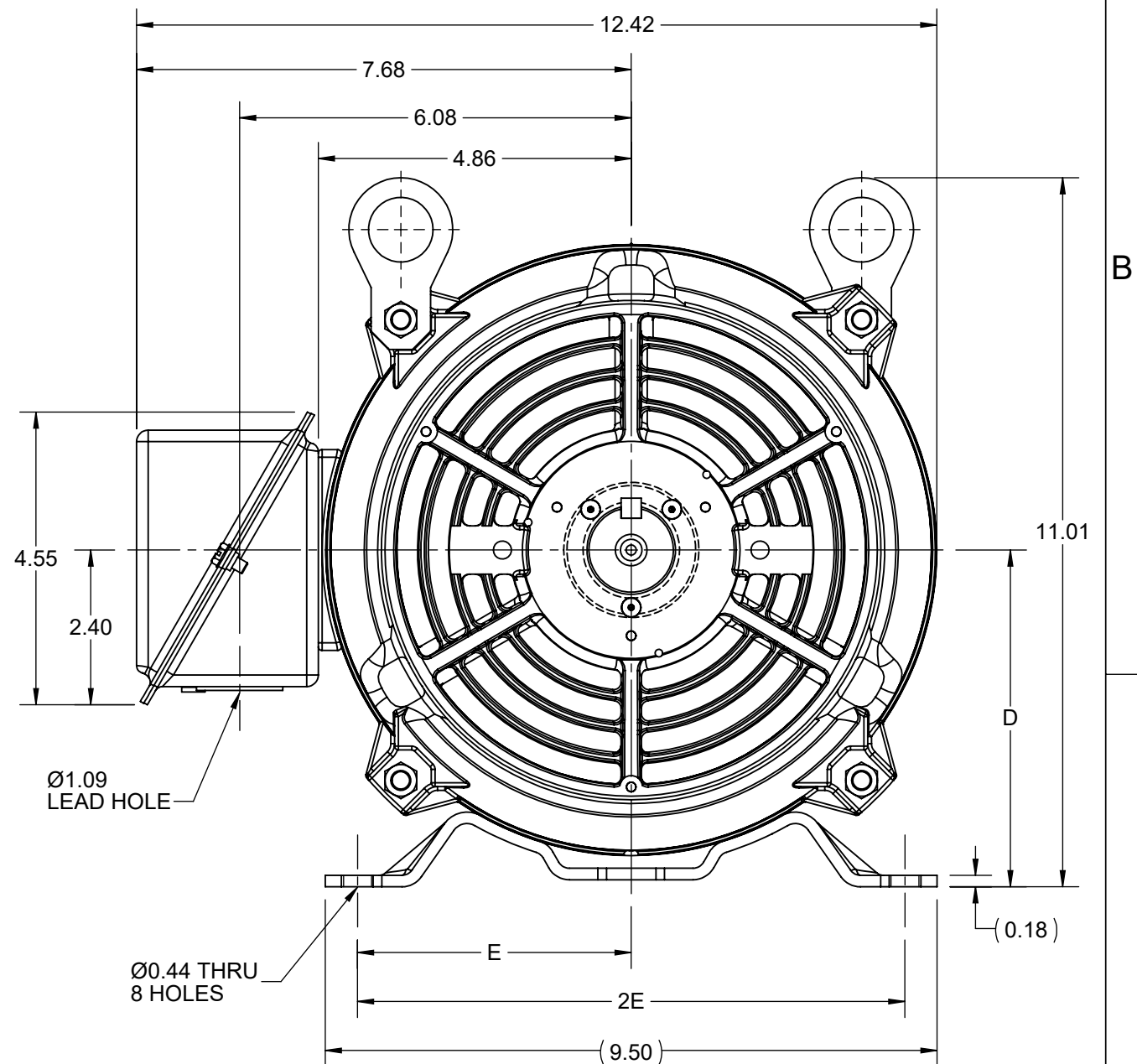
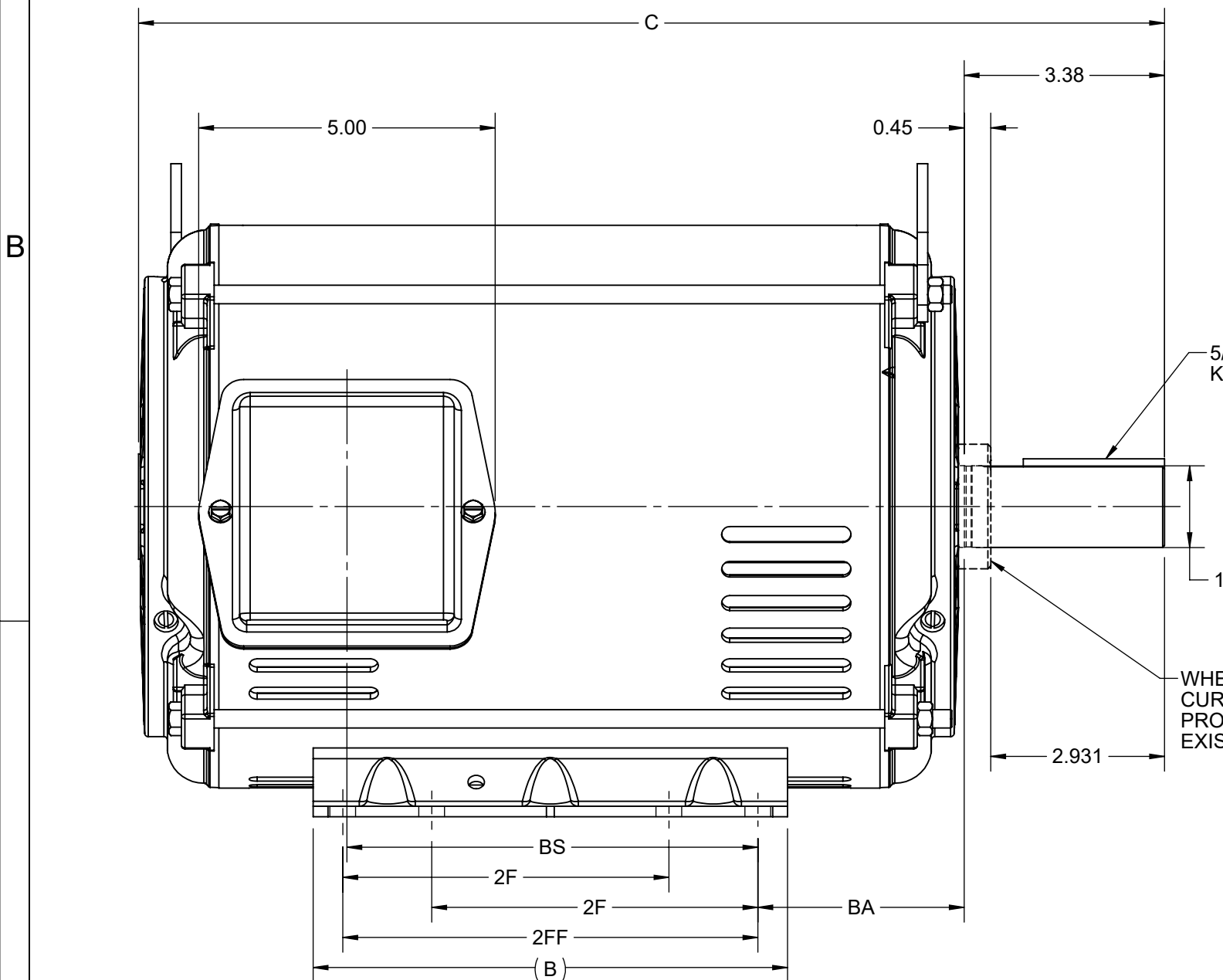
| | | | |
|------------------------|---------------------------|----------------------------|------------------------|
| Phase | 3 | Output HP | 5 & 1.25 Hp |
| Output KW | 3.7 & 0.93 kW | Voltage | 460 & 460 V |
| Speed | 1772 & 878 rpm | Service Factor | 1.15 & 1.15 |
| Frame | 215T | Enclosure | Drip Proof |
| Thermal Protection | No Protection | Efficiency | 85 & 74 % |
| Ambient Temperature | 40 °C | Frequency | 60 Hz |
| Current | 6.3 & 2.3 A | Power Factor | 87 |
| Duty | Continuous | Insulation Class | F |
| Design Code | 2VT | KVA Code | K |
| Drive End Bearing Size | 6307 | Opp Drive End Bearing Size | 6206 |
| UL | Recognized | CSA | Y |
| CE | Y | IP Code | 22 |
| Number of Speeds | 2 | | |

Technical Specifications

| | | | |
|-----------------------|------------------------------------|--------------------|------------------------|
| Electrical Type | Squirrel Cage Induction Run | Starting Method | Across The Line |
| Poles | 4//8 | Rotation | Reversible |
| Resistance Main | 4.097 Ohms | Mounting | Rigid Base |
| Motor Orientation | Horizontal | Drive End Bearing | Ball |
| Opp Drive End Bearing | Ball | Frame Material | Rolled Steel |
| Shaft Type | T | Shaft Diameter | 1.375 in |
| Assembly/Box Mounting | F1/F2 CAPABLE | | |
| Outline Drawing | SS620684 | Connection Drawing | EE7317 |

This is an uncontrolled document once printed or downloaded and is subject to change without notice. Date Created:10/18/2024

| | | | | | | | | | |
|------|-------|------|------|------|------|------|------|------|----------|
| 4 | | | 3 | | | | | | |
| B | C | D | E | 2E | 2F | 2FF | BA | BS | MOUNTING |
| 8.00 | 17.30 | 5.25 | 4.25 | 8.50 | 5.50 | 7.00 | 3.50 | 6.93 | F1 OR F2 |

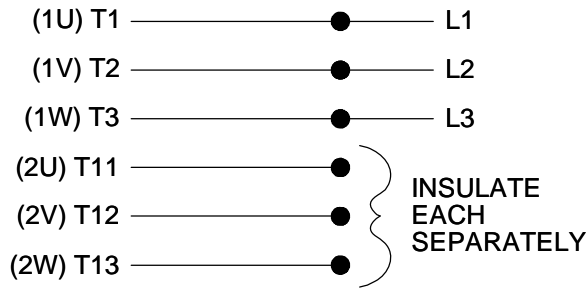


| | | |
|---|-----------------------|-------------------------------|
| DRAWING REVISION F | REVISION BY GOPI J | REV DATE/© DATE 09/05/2022 |
| REQUEST NUMBER CR-0008840 | APPROVED BY GNK | DATE 09/05/2022 |
| REQUEST NUMBER DESCRIPTION FRAME AND CONDUIT BOX PART # UPDATED AS PER CR | | |
| <small>COPYRIGHT (PER REVISION DATE) REGAL BELOIT AMERICA, INC. ALL RIGHTS RESERVED. PROPRIETARY AND CONFIDENTIAL INFORMATION - THIS DOCUMENT IS THE PROPERTY OF REGAL BELOIT AMERICA, INC. ("OWNER") AND CONTAINS OWNER'S PROPRIETARY INFORMATION. ANY PERSON, CORPORATION OR OTHER FIRM RECEIVING IT IS DEEMED, BY RECEIVING IT, TO AGREE THAT IT, AND/OR ANY PART OF IT, SHALL NOT BE DISCLOSED TO ANY PERSON, CORPORATION OR OTHER ENTITY, DUPLICATED, AND/OR USED, EXCEPT AS EXPRESSLY APPROVED IN WRITING IN ADVANCE BY OWNER. THIS DOCUMENT SHALL BE RETURNED TO OWNER UPON REQUEST. IT MAY BE SUBJECT TO CERTAIN RESTRICTIONS UNDER APPLICABLE EXPORT CONTROL LAWS AND REGULATIONS.</small> | | |

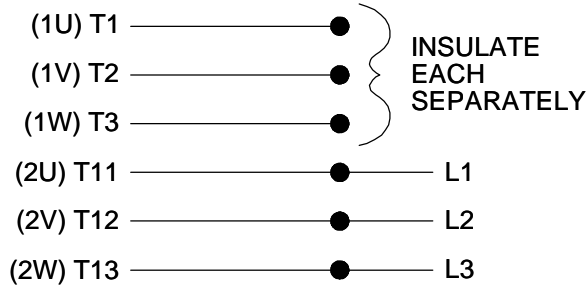
PRIMARY DIMENSIONS ARE INCH
mm DIMENSIONS IN [BRACKETS]
ARE FOR REFERENCE ONLY

| | | | |
|--------------------|---|----------------------------|-----------------|
| DRAWN BY ZXW | | Regal Beloit America, Inc. | |
| DATE 16/04/2015 | | DESCRIPTION | |
| APPROVED BY ZL | <p style="text-align: center;">OUTLINE 213/215T FR NEMA ODP RS</p> | | |
| DATE 16/04/2015 | MATERIAL | PROCESS/FINISH | |
| REFERENCE | SIZE B | DRAWING NUMBER SS620684 | SHEET 1 OF 1 |

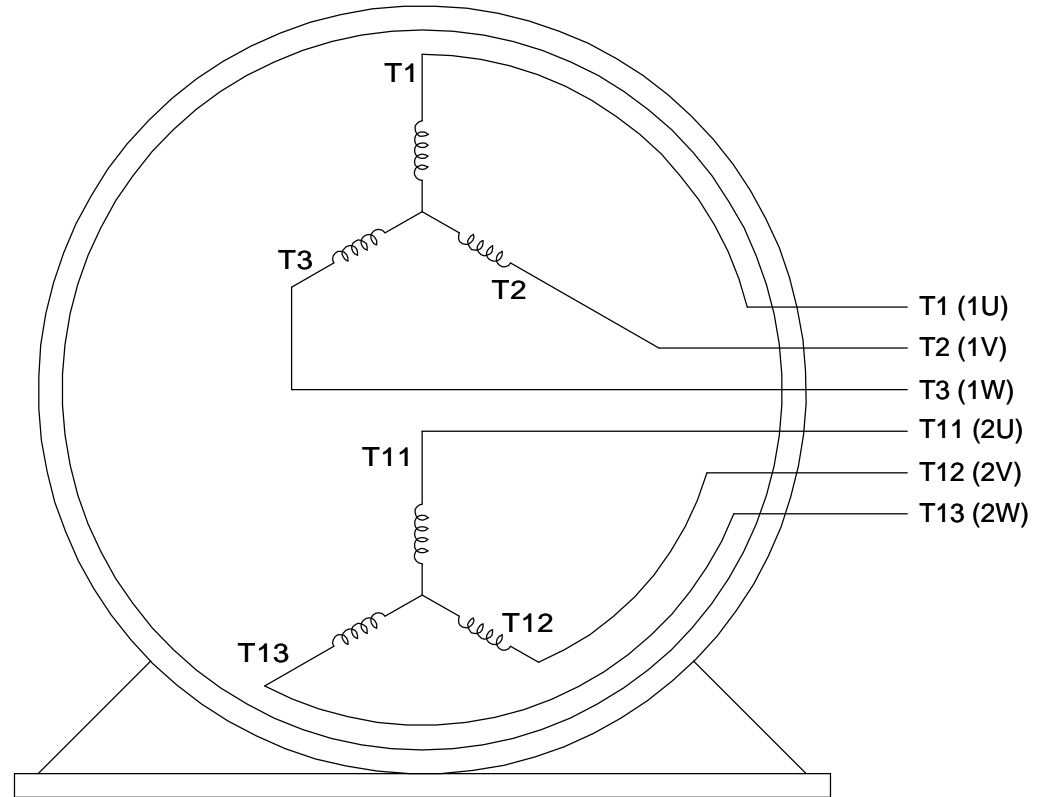
LOW SPEED



HIGHSPEED



**THREE PHASE, SINGLE VOLT, 6 LEAD
2 SPEED REVERSIBLE MOTOR**



VIEW OF TERMINAL END

TO REVERSE ROTATION ON
EITHER SPEED: INTERCHANGE
ANY 2 LEADS ON THE
WINDING IN USE.

| | | | | | |
|---|---------------------------|---------------------------|---------------------------|---------------------------|--|
| DRAWING REVISION C | REVISION BY JJB | DATE 10-25-2017 | | DRAWN BY LZ | Regal Beloit America, Inc. |
| ECO ECO-0132917 | APPROVED BY TLB | DATE 10-30-2017 | | DATE 01-05-1994 | |
| ECO DESCRIPTION REVISED PER ECO & UPDATED TO STANDARDS | | | | APPROVED BY GK | DESCRIPTION CONN DIAGRAM-INTERNAL |
| <small>COPYRIGHT REGAL BELOIT AMERICA, INC. ALL RIGHTS RESERVED. PROPRIETARY AND CONFIDENTIAL INFORMATION - THIS DOCUMENT IS THE PROPERTY OF REGAL BELOIT AMERICA, INC. ("OWNER") AND CONTAINS OWNER'S PROPRIETARY INFORMATION. ANY PERSON, CORPORATION OR OTHER FIRM RECEIVING IT IS DEEMED, BY RECEIVING IT, TO AGREE THAT IT, AND/OR ANY PART OF IT, SHALL NOT BE DISCLOSED TO ANY PERSON, CORPORATION OR OTHER ENTITY, DUPLICATED, AND/OR USED, EXCEPT AS EXPRESSLY APPROVED IN WRITING IN ADVANCE BY OWNER. THIS DOCUMENT SHALL BE RETURNED TO OWNER UPON REQUEST. IT MAY BE SUBJECT TO CERTAIN RESTRICTIONS UNDER APPLICABLE EXPORT CONTROL LAWS AND REGULATIONS.</small> | | | | DATE 01-17-1994 | 3 PHASE - SINGLE - 2 SPEED REVERSIBLE |
| | | | REFERENCE | MATERIAL | PROCESS/FINISH |
| | | | THIRD ANGLE PROJECTION | SIZE A | DRAWING NUMBER EE7317 |