

PRODUCT INFORMATION PACKET

Model No: 215TTDBD7203

Catalog No: Y415A

Multispeed Motor, 5 & 2.22 HP, 3 Ph, 60 & 60 Hz, 460 & 460 V, 1800 & 1800 RPM, 215T Frame, DP



Regal and Marathon are trademarks of Regal Rexnord Corporation or one of its affiliated companies.

©2023 Regal Rexnord Corporation, All Rights Reserved. MC017097E

Nameplate Specifications

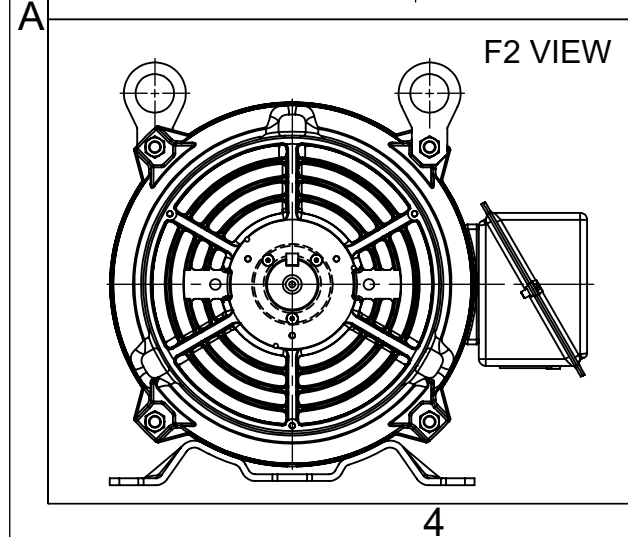
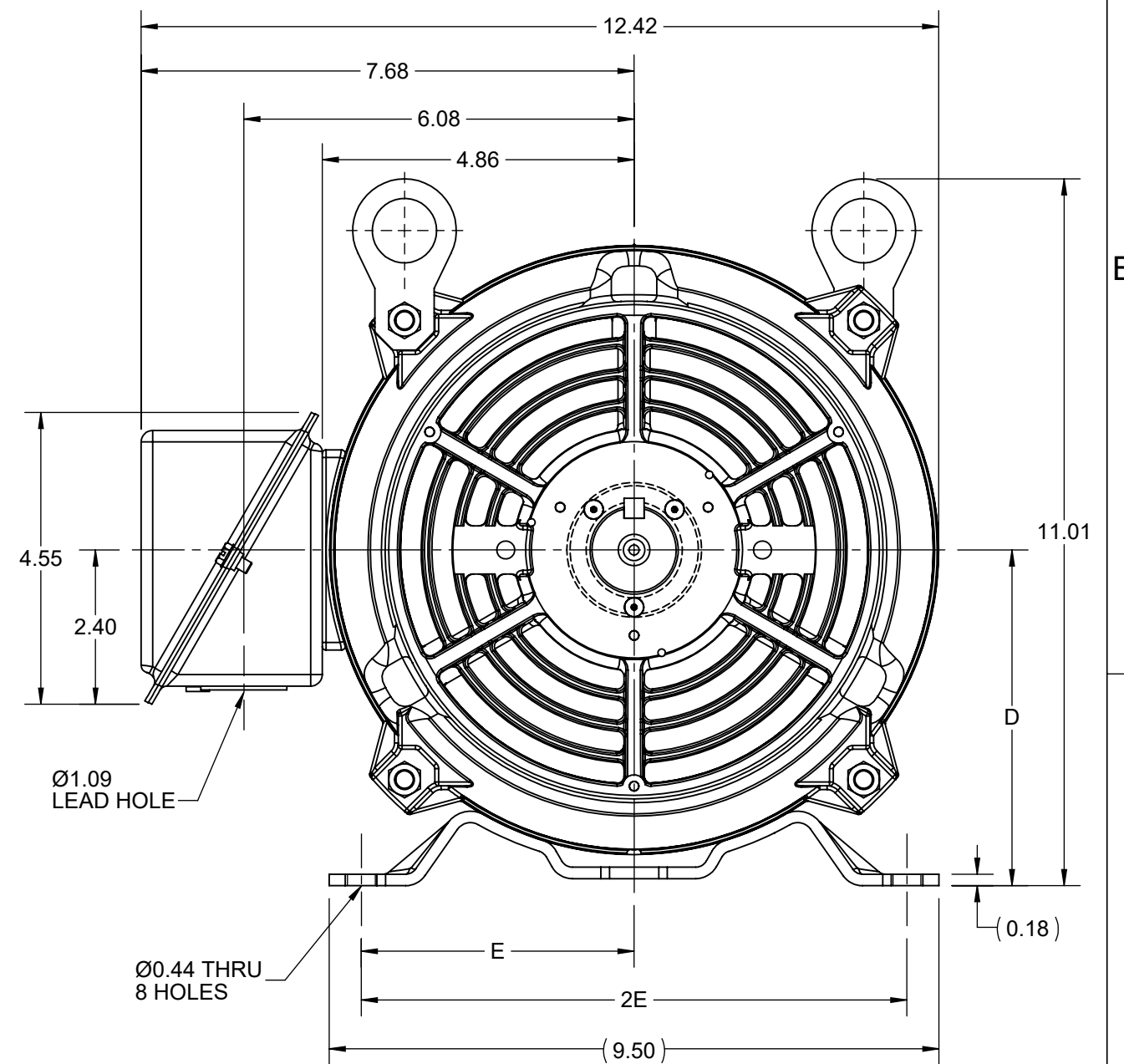
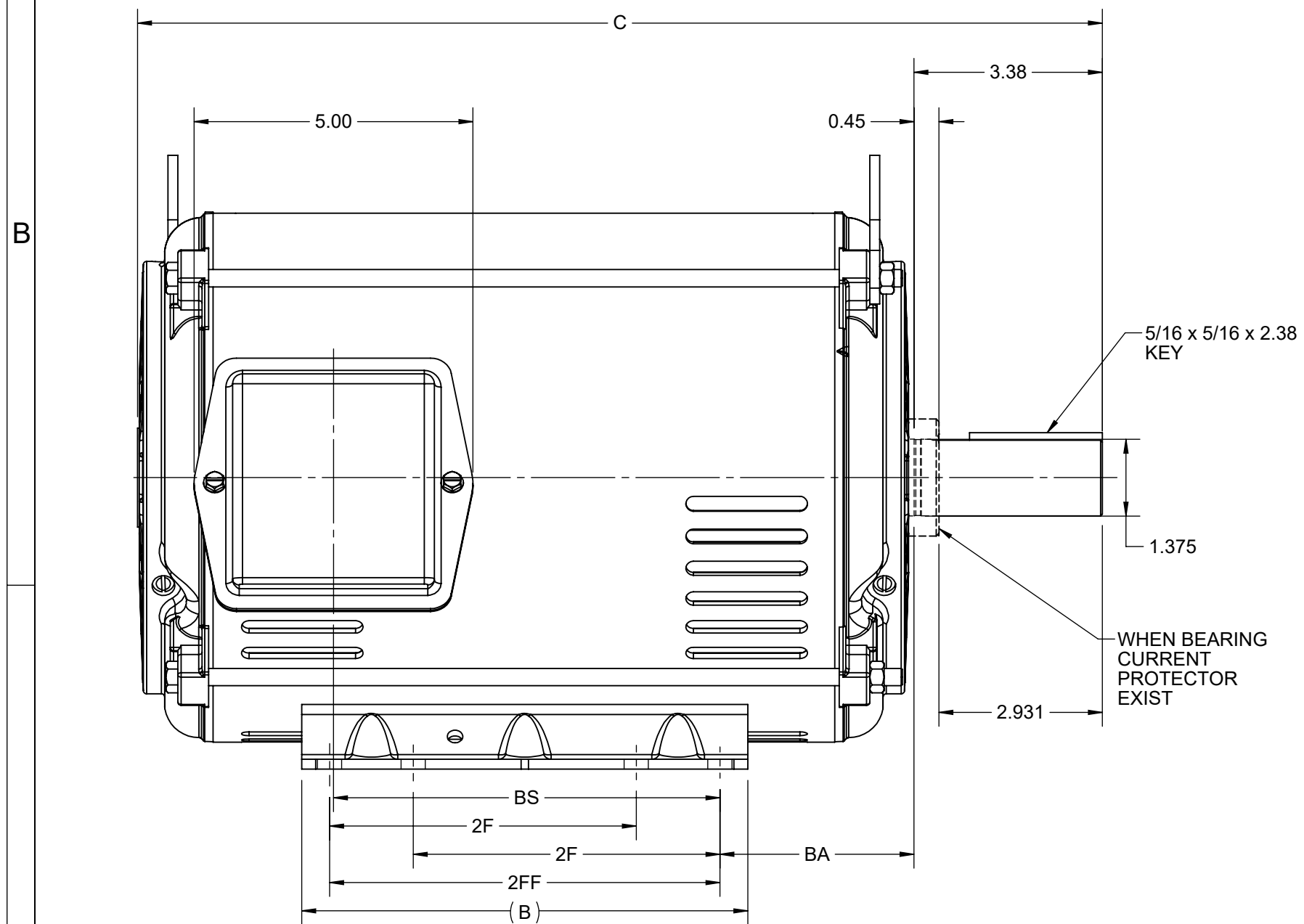
Phase	3	Output HP	5 & 2.22 Hp
Output KW	3.7 & 1.7 kW	Voltage	460 & 460 V
Speed	1772 & 1185 rpm	Service Factor	1.15 & 1.15
Frame	215T	Enclosure	Drip Proof
Thermal Protection	No Protection	Efficiency	87.5 & 85.5 %
Ambient Temperature	40 °C	Frequency	60 & 60 Hz
Current	6.20 & 3.50 A	Power Factor	82.8
Duty	Continuous	Insulation Class	F
Design Code	2VT	KVA Code	J
Drive End Bearing Size	6307	Opp Drive End Bearing Size	6206
UL	Recognized	CSA	Y
CE	Y	IP Code	22
Number of Speeds	2		

Technical Specifications

Electrical Type	Squirrel Cage Induction Run	Starting Method	Across The Line
Poles	4//6	Rotation	Reversible
Resistance Main	3.602 Ohms	Mounting	Rigid Base
Motor Orientation	Horizontal	Drive End Bearing	Ball
Opp Drive End Bearing	Ball	Frame Material	Rolled Steel
Shaft Type	T	Shaft Diameter	1.375 in
Assembly/Box Mounting	F1/F2 CAPABLE		
Outline Drawing	SS620684	Connection Drawing	EE7317

This is an uncontrolled document once printed or downloaded and is subject to change without notice. Date Created:06/23/2023

4			3						
B	C	D	E	2E	2F	2FF	BA	BS	MOUNTING
8.00	17.30	5.25	4.25	8.50	5.50	7.00	3.50	6.93	F1 OR F2

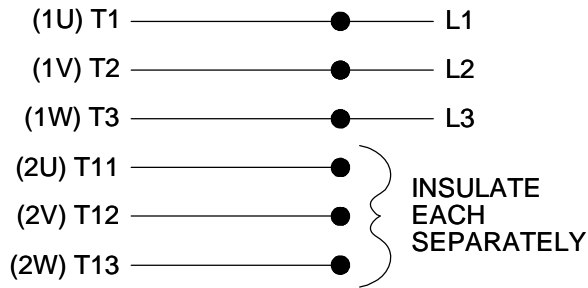


DRAWING REVISION F	REVISION BY GOPI J	REV DATE/© DATE 09/05/2022
REQUEST NUMBER CR-0008840	APPROVED BY GNK	DATE 09/05/2022
REQUEST NUMBER DESCRIPTION FRAME AND CONDUIT BOX PART # UPDATED AS PER CR		
<small>COPYRIGHT (PER REVISION DATE) REGAL BELOIT AMERICA, INC. ALL RIGHTS RESERVED. PROPRIETARY AND CONFIDENTIAL INFORMATION - THIS DOCUMENT IS THE PROPERTY OF REGAL BELOIT AMERICA, INC. ("OWNER") AND CONTAINS OWNER'S PROPRIETARY INFORMATION. ANY PERSON, CORPORATION OR OTHER FIRM RECEIVING IT IS DEEMED, BY RECEIVING IT, TO AGREE THAT IT, AND/OR ANY PART OF IT, SHALL NOT BE DISCLOSED TO ANY PERSON, CORPORATION OR OTHER ENTITY, DUPLICATED, AND/OR USED, EXCEPT AS EXPRESSLY APPROVED IN WRITING IN ADVANCE BY OWNER. THIS DOCUMENT SHALL BE RETURNED TO OWNER UPON REQUEST. IT MAY BE SUBJECT TO CERTAIN RESTRICTIONS UNDER APPLICABLE EXPORT CONTROL LAWS AND REGULATIONS.</small>		

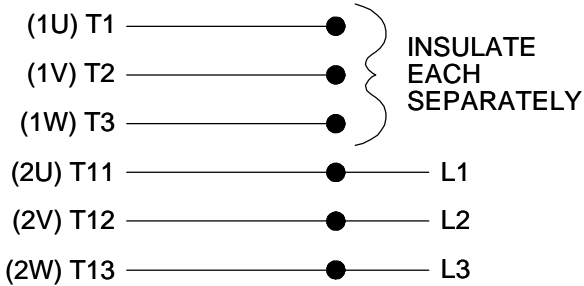
PRIMARY DIMENSIONS ARE INCH
mm DIMENSIONS IN [BRACKETS]
ARE FOR REFERENCE ONLY

DRAWN BY ZXW		Regal Beloit America, Inc.	
DATE 16/04/2015		DESCRIPTION	
APPROVED BY ZL	<p style="text-align: center;">OUTLINE 213/215T FR NEMA ODP RS</p>		
DATE 16/04/2015	MATERIAL	PROCESS/FINISH	
REFERENCE	SIZE B	DRAWING NUMBER SS620684	SHEET 1 OF 1

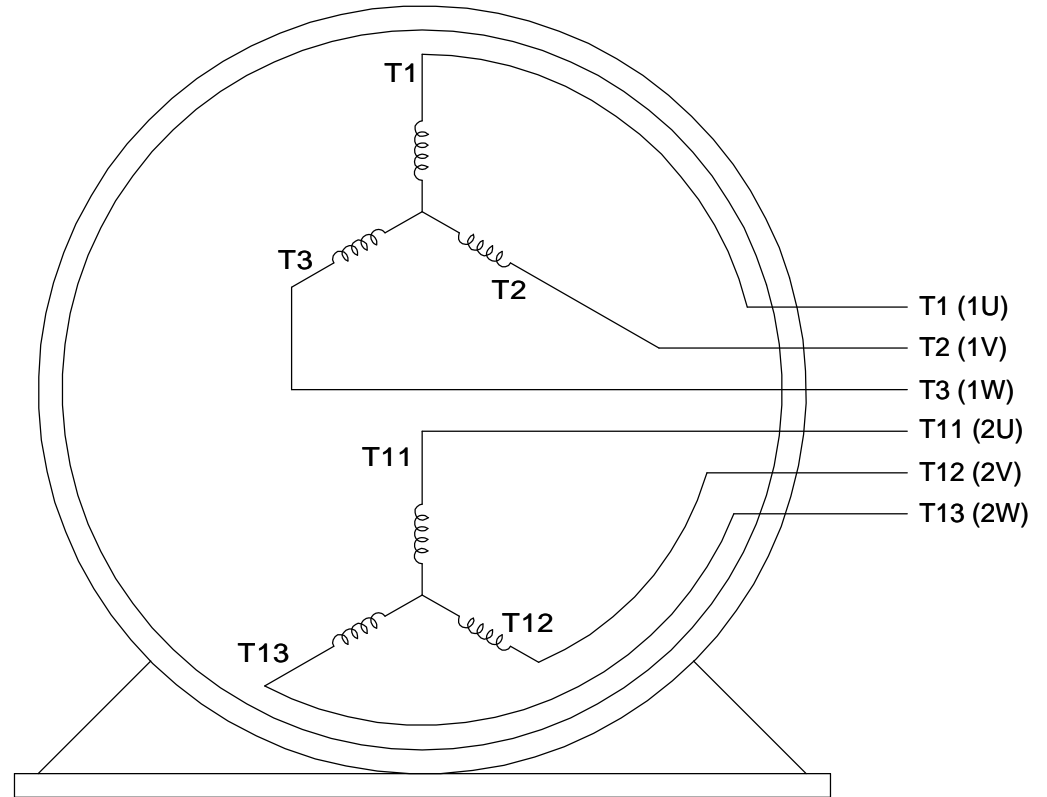
LOW SPEED



HIGHSPEED



**THREE PHASE, SINGLE VOLT, 6 LEAD
2 SPEED REVERSIBLE MOTOR**

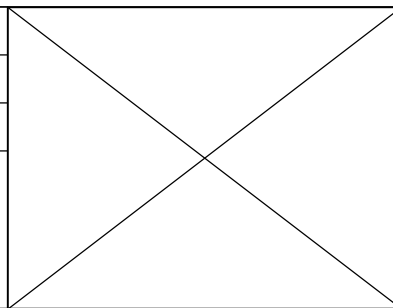


VIEW OF TERMINAL END

TO REVERSE ROTATION ON
EITHER SPEED: INTERCHANGE
ANY 2 LEADS ON THE
WINDING IN USE.

DRAWING REVISION C	REVISION BY JJB	DATE 10-25-2017
ECO ECO-0132917	APPROVED BY TLB	DATE 10-30-2017

ECO DESCRIPTION
REVISED PER ECO & UPDATED TO STANDARDS
COPYRIGHT REGAL BELOIT AMERICA, INC. ALL RIGHTS RESERVED.
 PROPRIETARY AND CONFIDENTIAL INFORMATION - THIS DOCUMENT IS THE PROPERTY OF
 REGAL BELOIT AMERICA, INC. ("OWNER") AND CONTAINS OWNER'S PROPRIETARY
 INFORMATION. ANY PERSON, CORPORATION OR OTHER FIRM RECEIVING IT IS DEEMED,
 BY RECEIVING IT, TO AGREE THAT IT, AND/OR ANY PART OF IT, SHALL NOT BE DISCLOSED
 TO ANY PERSON, CORPORATION OR OTHER ENTITY, DUPLICATED, AND/OR USED, EXCEPT
 AS EXPRESSLY APPROVED IN WRITING IN ADVANCE BY OWNER. THIS DOCUMENT SHALL
 BE RETURNED TO OWNER UPON REQUEST. IT MAY BE SUBJECT TO CERTAIN
 RESTRICTIONS UNDER APPLICABLE EXPORT CONTROL LAWS AND REGULATIONS.



DRAWN BY LZ
DATE 01-05-1994
APPROVED BY GK
DATE 01-17-1994
REFERENCE
THIRD ANGLE PROJECTION

Regal Beloit America, Inc.	
DESCRIPTION CONN DIAGRAM-INTERNAL 3 PHASE - SINGLE - 2 SPEED REVERSIBLE	
MATERIAL	PROCESS/FINISH
SIZE A	DRAWING NUMBER EE7317
SHEET 1 OF 1	

Data Sheet

Date: 12/14/2021
 Customer: _____
 Attention: _____
 Submitted by: SHERYL KUEHMICHEL



215TTDBD7203

Submittal

Data @ 460 V

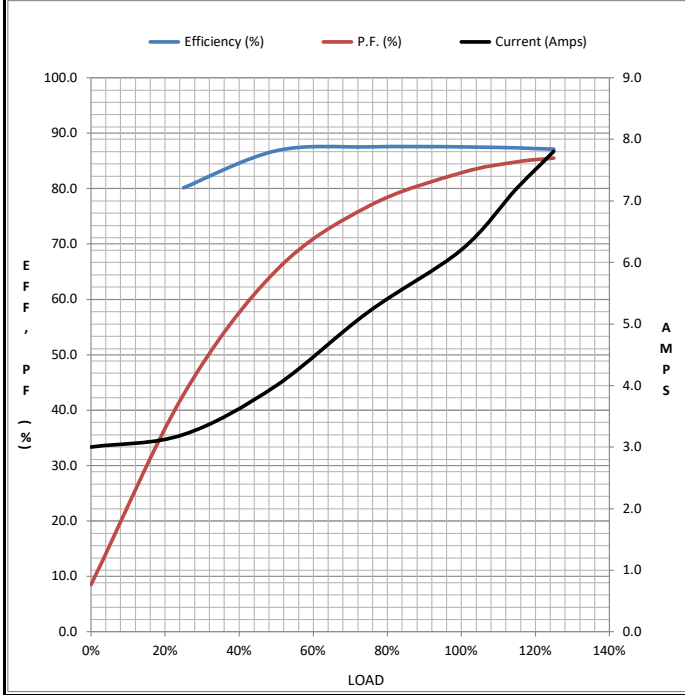
Motor Load Data

Load	0%	25%	50%	75%	100%	115%	125%	LR
Current (Amps)	3.0	3.2	4.0	5.2	6.2	7.2	7.8	48.0
Torque(ft-lb)	0.00	3.7	7.4	11.1	15.0	17.3	18.8	28.0
RPM	1800	1792	1785	1780	1772	1,768	1765	0
Efficiency (%)		80.1	86.8	87.5	87.5	87.3	87.1	
P.F. (%)	8.5	42.8	65.2	76.8	82.8	84.8	85.5	60

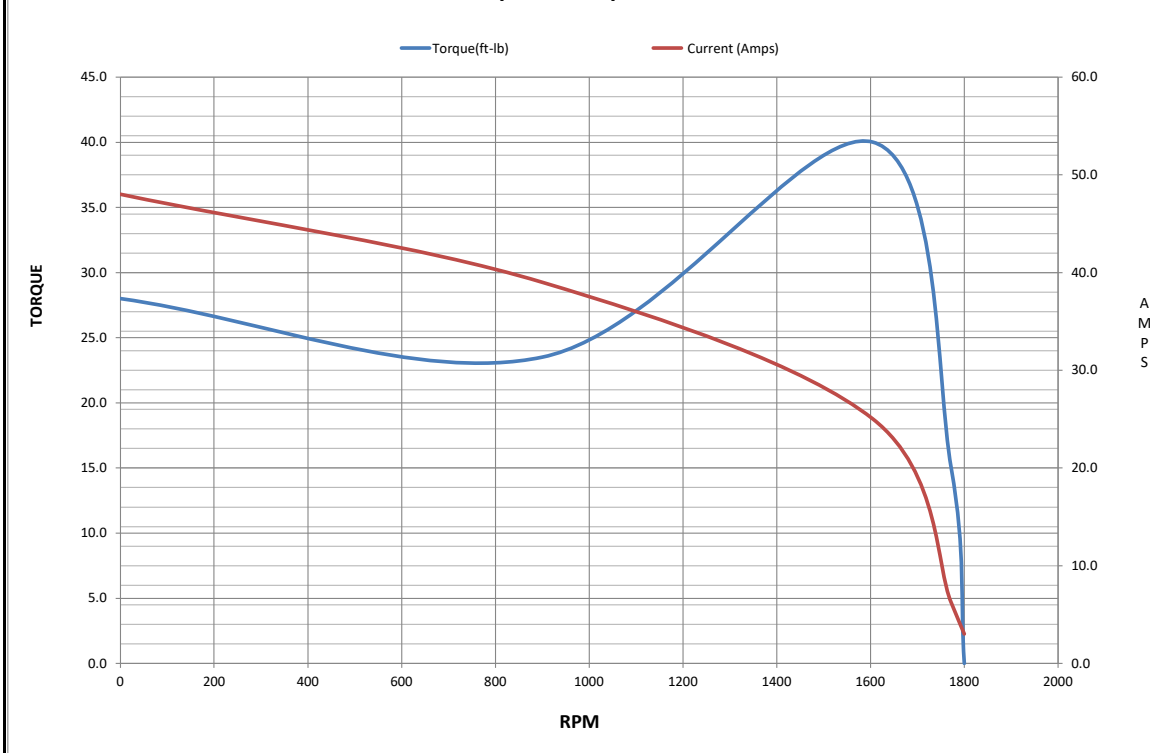
Motor Speed Data

	LR	Pull-Up	BD	Rated	Idle
Speed (RPM)	0	900	1605	1772	1800
Current (Amps)	48.0	39.0	25.0	6.2	3.0
Torque(ft-lb)	28.0	23.5	40.0	15.0	0.00

Information Block				
HP	5.0			
Sync. RPM	1800			
Frame	215T			
Enclosure	DP			
Construction	TDC			
Voltage	460 V			
Frequency	60 Hz			
Design	2VT			
LR Code letter	J			
Service Factor	1.15			
Temp Rise @ FL	45 °C			
Duty	CONT			
Ambient	40 °C			
Elevation	3,300 feet			
Rotor/Shaft wk ²	0.00 Lb-Ft ²			
Ref Wdg	HA3132(4-6)06 HS			
Sound Pressure @ 1M	66 dBA			
VFD Rating	NA			
Outline Dwg	SS620684			
Conn. Diag	EE7317			
Additional Specifications:				
CATALOG # Y415A				
HIGH SPEED PERFORMANCE				
EQUIV CKT (OHMS / PHASE)				
R1	R2	X1	X2	Xm
2.3202	0.6581	3.6874	3.9483	85.1446



Speed - Torque Curve



Data Sheet

Date: 12/14/2021
 Customer: _____
 Attention: _____
 Submitted by: SHERYL KUEHMICHEL



215TTDBD7203

Submittal

Data @ 460 V

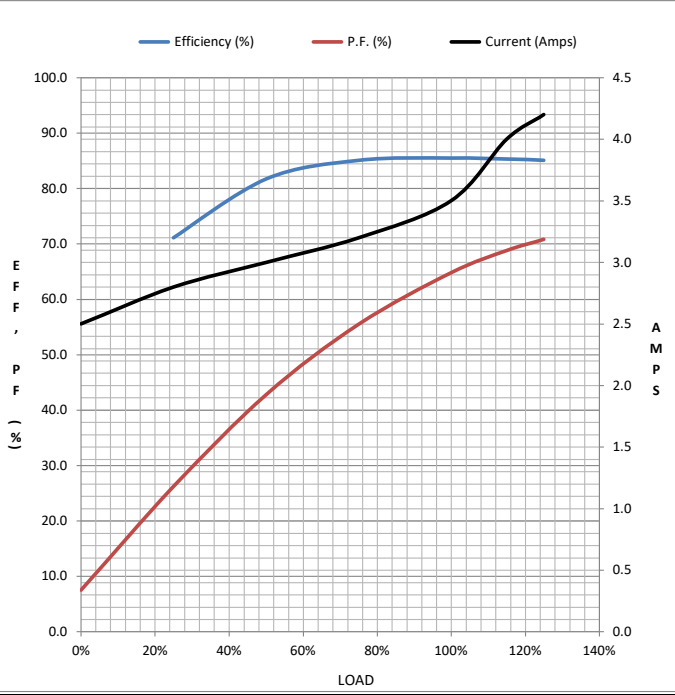
Motor Load Data

Load	0%	25%	50%	75%	100%	115%	125%	LR
Current (Amps)	2.50	2.80	3.0	3.2	3.5	4.0	4.2	20.0
Torque(ft-lb)	0.00	2.50	5.0	7.5	10.0	11.5	12.5	15.0
RPM	1200	1195	1192	1188	1185	1,180	1178	0
Efficiency (%)		71.1	81.7	85.1	85.5	85.3	85.1	
P.F. (%)	7.5	26.2	42.8	55.5	64.8	68.8	70.8	48

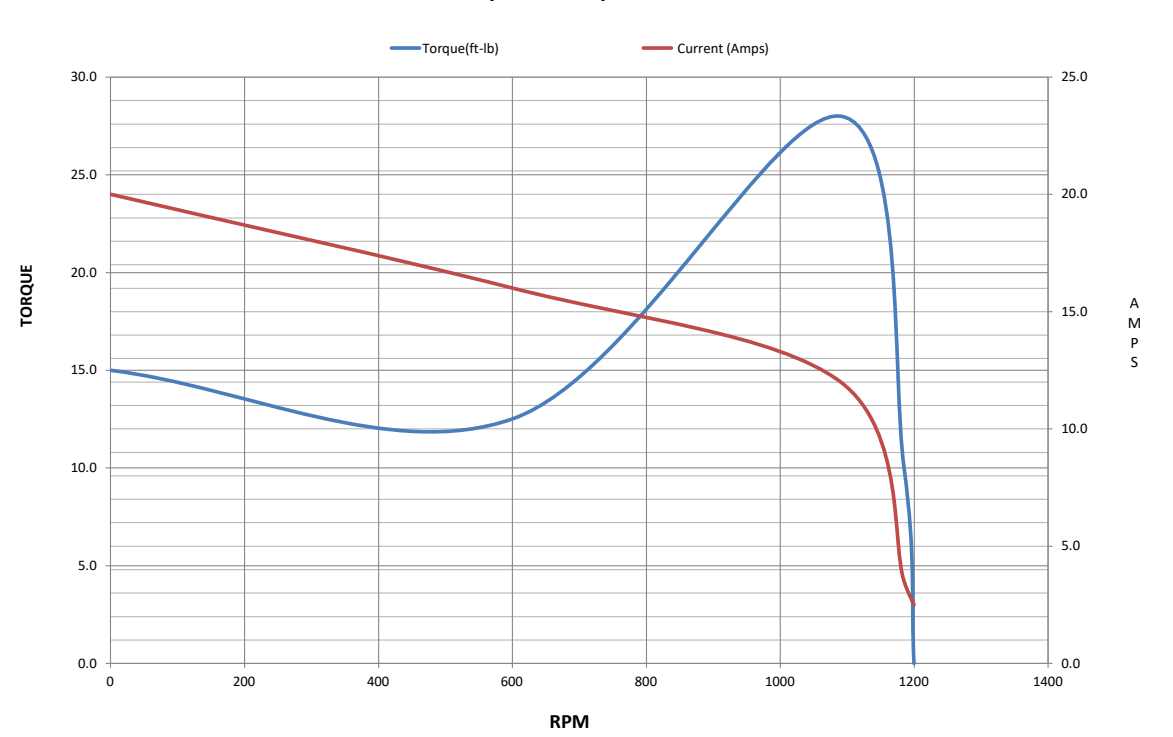
Motor Speed Data

	LR	Pull-Up	BD	Rated	Idle
Speed (RPM)	0	600	1090	1185	1200
Current (Amps)	20.0	16.0	12.0	3.5	2.50
Torque(ft-lb)	15.0	12.5	28.0	10.0	0.00

Information Block				
HP	2.20			
Sync. RPM	1200			
Frame	215T			
Enclosure	DP			
Construction	TDC			
Voltage	460 V			
Frequency	60 Hz			
Design	2VT			
LR Code letter	J			
Service Factor	1.15			
Temp Rise @ FL	45 °C			
Duty	CONT			
Ambient	40 °C			
Elevation	3,300 feet			
Rotor/Shaft wk ²	0.00 Lb-Ft ²			
Ref Wdg	HA3132(4-6)06 HS			
Sound Pressure @ 1M	62 dBA			
VFD Rating	NA			
Outline Dwg	SS620684			
Conn. Diag	EE7317			
Additional Specifications:				
CATALOG # Y415A				
LOW SPEED PERFORMANCE				
EQUIV CKT (OHMS / PHASE)				
R1	R2	X1	X2	Xm
3.8421	1.3151	5.9437	9.4377	94.6862



Speed -Torque Curve



EC Declaration of Conformity

The undersigned representing
the manufacturer:

Regal Beloit America
100 East Randolph St.
Wausau, WI 54401

and the authorized representative
established within the Community:

Marathon Electric UK
6F Thistleton Road Ind. Estate
Market Overton
Oakham, Rutland LE15 7PP UK

are committed to providing customers with products that comply with applicable regulations and international protocols to which they are subject, including the requirements of the European Parliament Directive on the Harmonization of the laws relating to electrical equipment designed for use within certain voltage limits (2014/35/EU).

Regal Beloit America declares that the following product(s), to which this declaration relates, are in conformity with the relevant sections of the EC standards listed below.

This statement supersedes any statements previously issued pertaining to the product(s) listed below and is subject to change without notice.

Model No : 215TTDBD7203

(Model No. may contain prefix and/or suffix characters)

Catalog No : Y415A

Rework No : N/A

Directives :

Low Voltage Directive 2014/35/EU

Harmonized Standards Used :

EN 60034-1: 2010 (IEC 60034-1: 2010)

EN 60034-5: 2001/A1:2007 (IEC 60034-5: 2000/A1:2006)

Authorized Representative:



Michael A. Logsdon
Vice President, Technology

Authorized Representative in the Community:



Julian Clark
Marketing Engineer

Created on 09/01/2022

CE 22