

# PRODUCT INFORMATION PACKET

Model No: 215TTDBD17206

Catalog No: Y490A

Multispeed Motor, 10 & 2.50 HP, 3 Ph, 60 Hz, 200-230 & 200-230 V, 1800 & 1800 RPM, 215T Frame, DP



Regal and Marathon are trademarks of Regal Rexnord Corporation or one of its affiliated companies.

©2024 Regal Rexnord Corporation, All Rights Reserved. MC017097E

### Nameplate Specifications

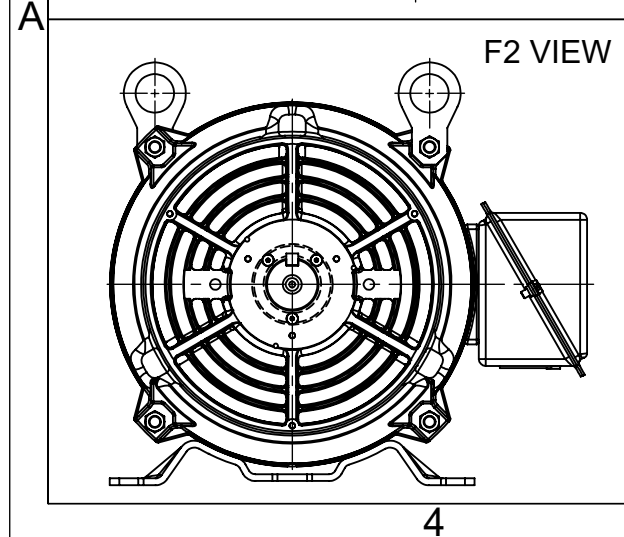
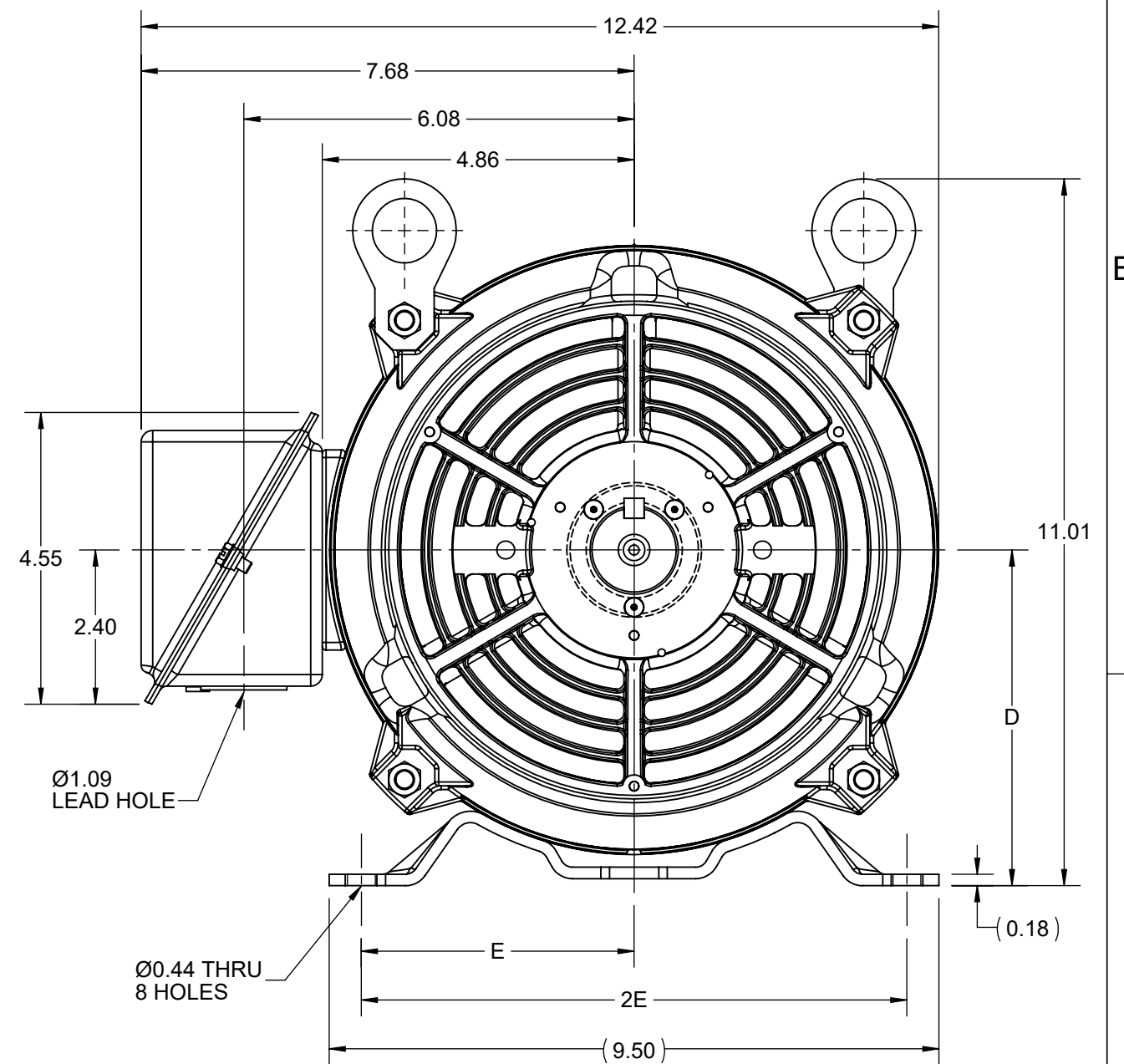
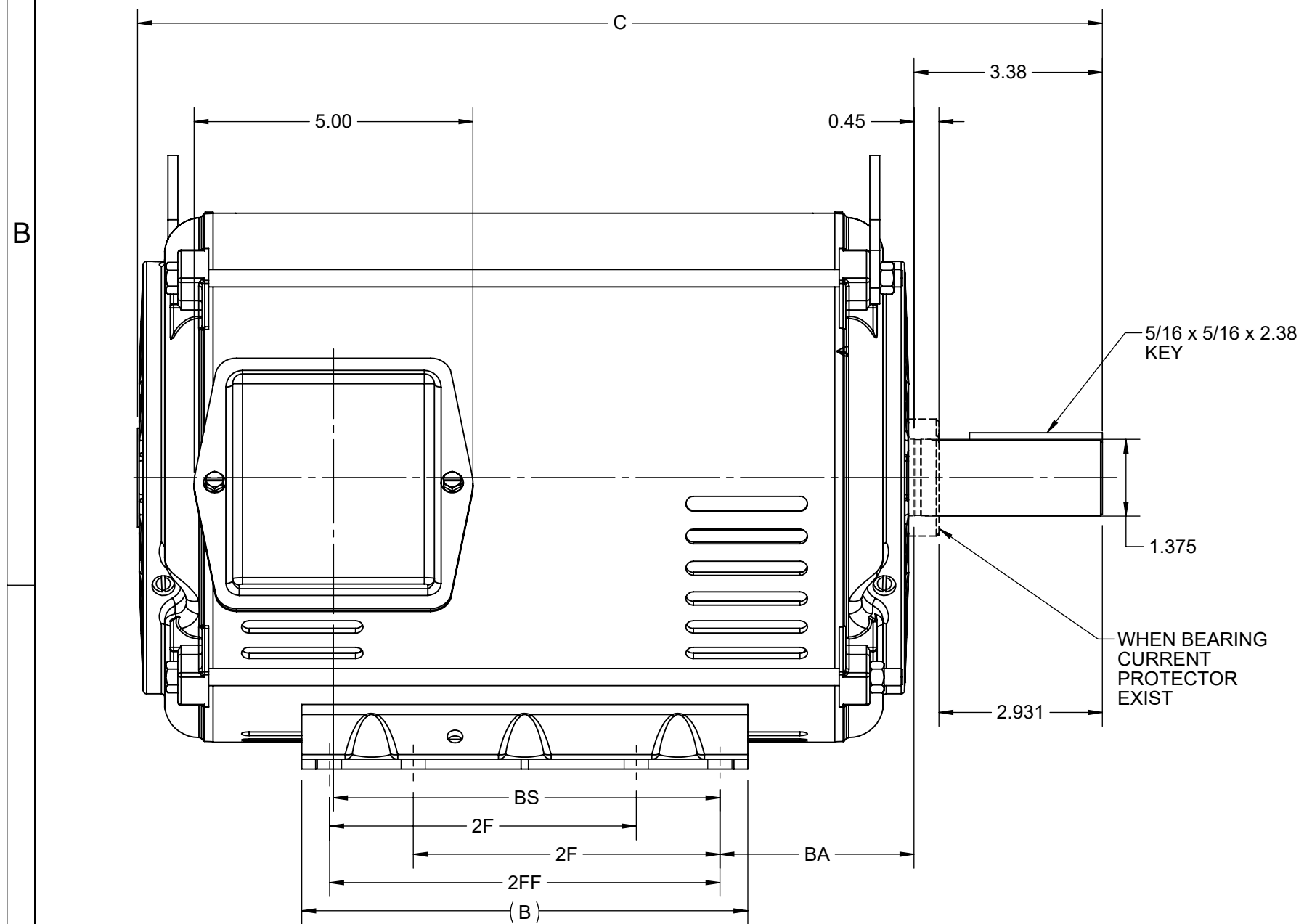
|                        |                                |                            |                                |
|------------------------|--------------------------------|----------------------------|--------------------------------|
| Phase                  | <b>3</b>                       | Output HP                  | <b>10 &amp; 2.50 Hp</b>        |
| Output KW              | <b>7.5 &amp; 1.9 kW</b>        | Voltage                    | <b>200-230 &amp; 200-230 V</b> |
| Speed                  | <b>1765 &amp; 878 rpm</b>      | Service Factor             | <b>1.15 &amp; 1.15</b>         |
| Frame                  | <b>215T</b>                    | Enclosure                  | <b>Drip Proof</b>              |
| Thermal Protection     | <b>No Protection</b>           | Efficiency                 | <b>86.5 &amp; 82 %</b>         |
| Ambient Temperature    | <b>40 °C</b>                   | Frequency                  | <b>60 Hz</b>                   |
| Current                | <b>27.6-25.5 &amp; 9-8.8 A</b> | Power Factor               | <b>86</b>                      |
| Duty                   | <b>Continuous</b>              | Insulation Class           | <b>F</b>                       |
| Design Code            | <b>1VT</b>                     | KVA Code                   | <b>K</b>                       |
| Drive End Bearing Size | <b>6307</b>                    | Opp Drive End Bearing Size | <b>6206</b>                    |
| UL                     | <b>Recognized</b>              | CSA                        | <b>Y</b>                       |
| CE                     | <b>Y</b>                       | IP Code                    | <b>22</b>                      |
| Number of Speeds       | <b>2</b>                       |                            |                                |

### Technical Specifications

|                       |                                    |                    |                        |
|-----------------------|------------------------------------|--------------------|------------------------|
| Electrical Type       | <b>Squirrel Cage Induction Run</b> | Starting Method    | <b>Across The Line</b> |
| Poles                 | <b>4/8</b>                         | Rotation           | <b>Reversible</b>      |
| Resistance Main       | <b>.3806 Ohms</b>                  | Mounting           | <b>Rigid Base</b>      |
| Motor Orientation     | <b>Horizontal</b>                  | Drive End Bearing  | <b>Ball</b>            |
| Opp Drive End Bearing | <b>Ball</b>                        | Frame Material     | <b>Rolled Steel</b>    |
| Shaft Type            | <b>T</b>                           | Shaft Diameter     | <b>1.375 in</b>        |
| Assembly/Box Mounting | <b>F1/F2 CAPABLE</b>               |                    |                        |
| Outline Drawing       | <b>SS620684</b>                    | Connection Drawing | <b>EE7322</b>          |

This is an uncontrolled document once printed or downloaded and is subject to change without notice. Date Created:10/18/2024

|      |       |      |      |      |      |      |      |      |          |  |  |
|------|-------|------|------|------|------|------|------|------|----------|--|--|
|      |       | 4    |      |      | 3    |      |      |      |          |  |  |
| B    | C     | D    | E    | 2E   | 2F   | 2FF  | BA   | BS   | MOUNTING |  |  |
| 8.00 | 17.30 | 5.25 | 4.25 | 8.50 | 5.50 | 7.00 | 3.50 | 6.93 | F1 OR F2 |  |  |



|   |                       |                               |
|---|-----------------------|-------------------------------|
| DRAWING REVISION<br>F   | REVISION BY<br>GOPI J | REV DATE/© DATE<br>09/05/2022 |
| REQUEST NUMBER<br>CR-0008840  | APPROVED BY<br>GNK    | DATE<br>09/05/2022            |
| REQUEST NUMBER DESCRIPTION<br>FRAME AND CONDUIT BOX PART # UPDATED AS PER CR  |                       |                               |
| <small>COPYRIGHT (PER REVISION DATE) REGAL BELOIT AMERICA, INC. ALL RIGHTS RESERVED. PROPRIETARY AND CONFIDENTIAL INFORMATION - THIS DOCUMENT IS THE PROPERTY OF REGAL BELOIT AMERICA, INC. ("OWNER") AND CONTAINS OWNER'S PROPRIETARY INFORMATION. ANY PERSON, CORPORATION OR OTHER FIRM RECEIVING IT IS DEEMED, BY RECEIVING IT, TO AGREE THAT IT, AND/OR ANY PART OF IT, SHALL NOT BE DISCLOSED TO ANY PERSON, CORPORATION OR OTHER ENTITY, DUPLICATED, AND/OR USED, EXCEPT AS EXPRESSLY APPROVED IN WRITING IN ADVANCE BY OWNER. THIS DOCUMENT SHALL BE RETURNED TO OWNER UPON REQUEST. IT MAY BE SUBJECT TO CERTAIN RESTRICTIONS UNDER APPLICABLE EXPORT CONTROL LAWS AND REGULATIONS.</small> |                       |                               |

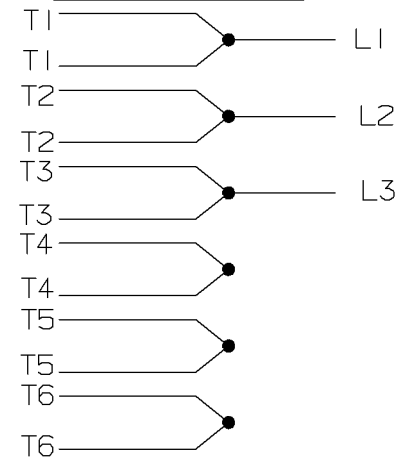
PRIMARY DIMENSIONS ARE INCH  
mm DIMENSIONS IN [BRACKETS]  
ARE FOR REFERENCE ONLY

|                        |  |                            |
|------------------------|--|----------------------------|
| DRAWN BY<br>ZXW        | Regal Beloit America, Inc.                               |                            |
| DATE<br>16/04/2015     |  |                            |
| APPROVED BY<br>ZL      | DESCRIPTION<br><b>OUTLINE</b><br>213/215T FR NEMA ODP RS |                            |
| DATE<br>16/04/2015     | MATERIAL   | PROCESS/FINISH             |
| REFERENCE              | SIZE<br>B  | DRAWING NUMBER<br>SS620684 |
| THIRD ANGLE PROJECTION | SHEET<br>1 OF 1  |                            |

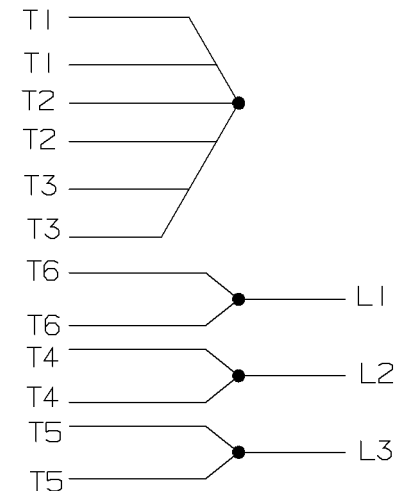
A- EE7322

FOR DUAL LEADS

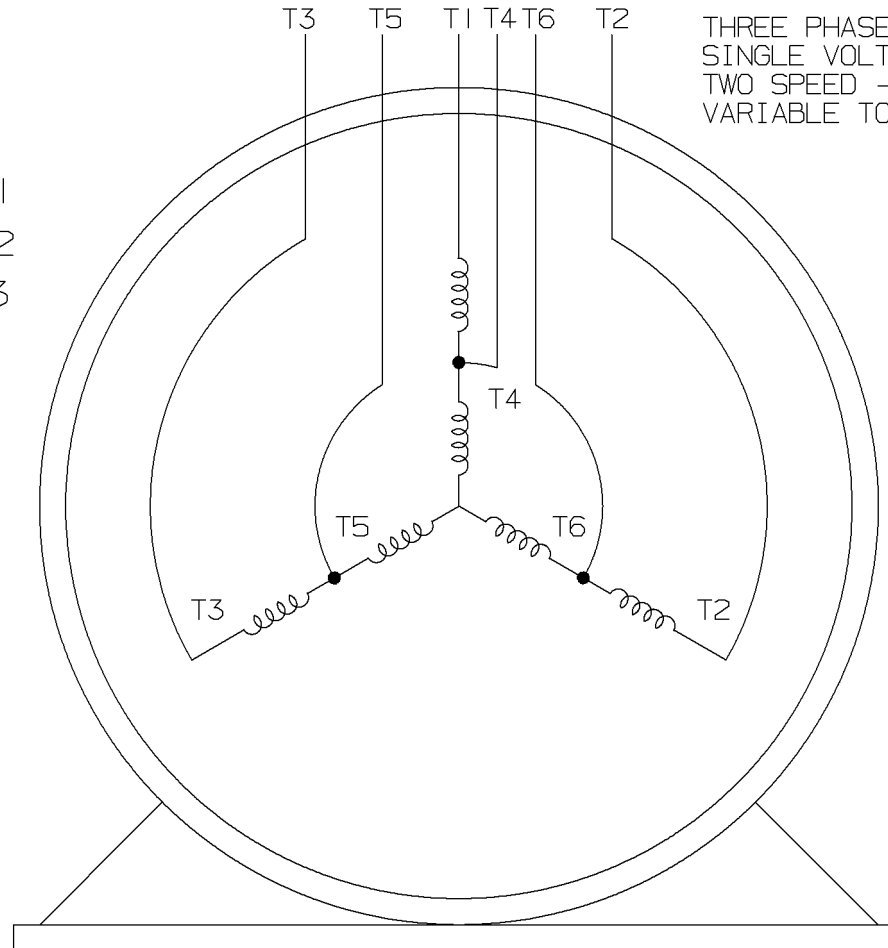
LOW SPEED



HIGH SPEED

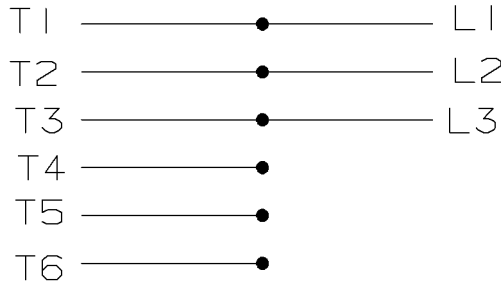


THREE PHASE MOTOR  
SINGLE VOLTAGE  
TWO SPEED - SGL. WDG.  
VARIABLE TORQUE

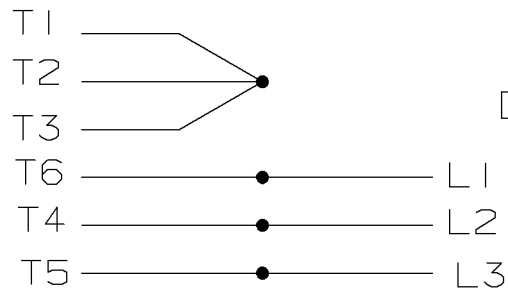


VIEW OF TERMINAL END

LOW SPEED



HIGH SPEED



T612C  
T48B

|     |            |                 |      |  |   |              |                       |
|-----|------------|-----------------|------|--|---|--------------|-----------------------|
|     |            |                 |      | ✓ MAX. SURFACE ROUGHNESS<br>UNLESS NOTED OTHERWISE | UNLESS OTHERWISE SPECIFIED DIMENSIONS ARE IN INCHES<br>TOL. ON XX±    XXX±.005    XXXX±.0005    ANGLES± |              |                       |
|     |            |                 |      | MATL SPEC  |   | DRAWN BY PGK | 12-26-1996            |
|     |            |                 |      | FINISH   |   |              | CHKD BY ML 01-07-1997 |
| 7   | 01-08-1997 | REDRAWN ON CADD | PGK  | REFERENCE DRW.                                     | WAUSAU, WISCONSIN 54401   |              | APPD BY TB 01-07-1997 |
| REV | DATE       | CHANGE          | NAME | PART NAME  | DRWG NO   |              |                       |
|     |            |                 |      | 3Ø - SINGLE VOLTAGE - 2 SPEED                      | A- EE7322   |              |                       |

SHOP BOOK

PURCHASED

DISTRIBUTION - WA - LB - WP - LM - BR

CADD FILE NO.

EE7322

## EC Declaration of Conformity

The undersigned representing  
the manufacturer:

Regal Beloit America  
100 East Randolph St.  
Wausau, WI 54401

and the authorized representative  
established within the Community:

Marathon Electric UK  
6F Thistleton Road Ind. Estate  
Market Overton  
Oakham, Rutland LE15 7PP UK

are committed to providing customers with products that comply with applicable regulations and international protocols to which they are subject, including the requirements of the European Parliament Directive on the Harmonization of the laws relating to electrical equipment designed for use within certain voltage limits (2014/35/EU).

Regal Beloit America declares that the following product(s), to which this declaration relates, are in conformity with the relevant sections of the EC standards listed below.

This statement supersedes any statements previously issued pertaining to the product(s) listed below and is subject to change without notice.

Model No : 215TTDBD17206

(Model No. may contain prefix and/or suffix characters)

Catalog No : Y490A

Rework No : N/A

Directives :

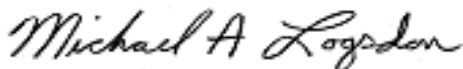
Low Voltage Directive 2014/35/EU

Harmonized Standards Used :

EN 60034-1: 2010 (IEC 60034-1: 2010)

EN 60034-5: 2001/A1:2007 (IEC 60034-5: 2000/A1:2006)

Authorized Representative:



Michael A. Logsdon  
Vice President, Technology

Authorized Representative in the Community:



Julian Clark  
Marketing Engineer

Created on 09/01/2022

**CE 22**