

PRODUCT INFORMATION PACKET

marathon[®]
Motors

Model No: 215TTDBA7022

Catalog No: M1327

Other Purpose Motor, 15 & 10 HP, 3 Ph, 60 & 50 Hz, 208-230/460 & 190/380 V, 3600 & 3000 RPM,
215JM Frame, DP

Regal and Marathon are trademarks of Regal Rexnord Corporation or one of its affiliated companies.

©2023 Regal Rexnord Corporation, All Rights Reserved. MC017097E

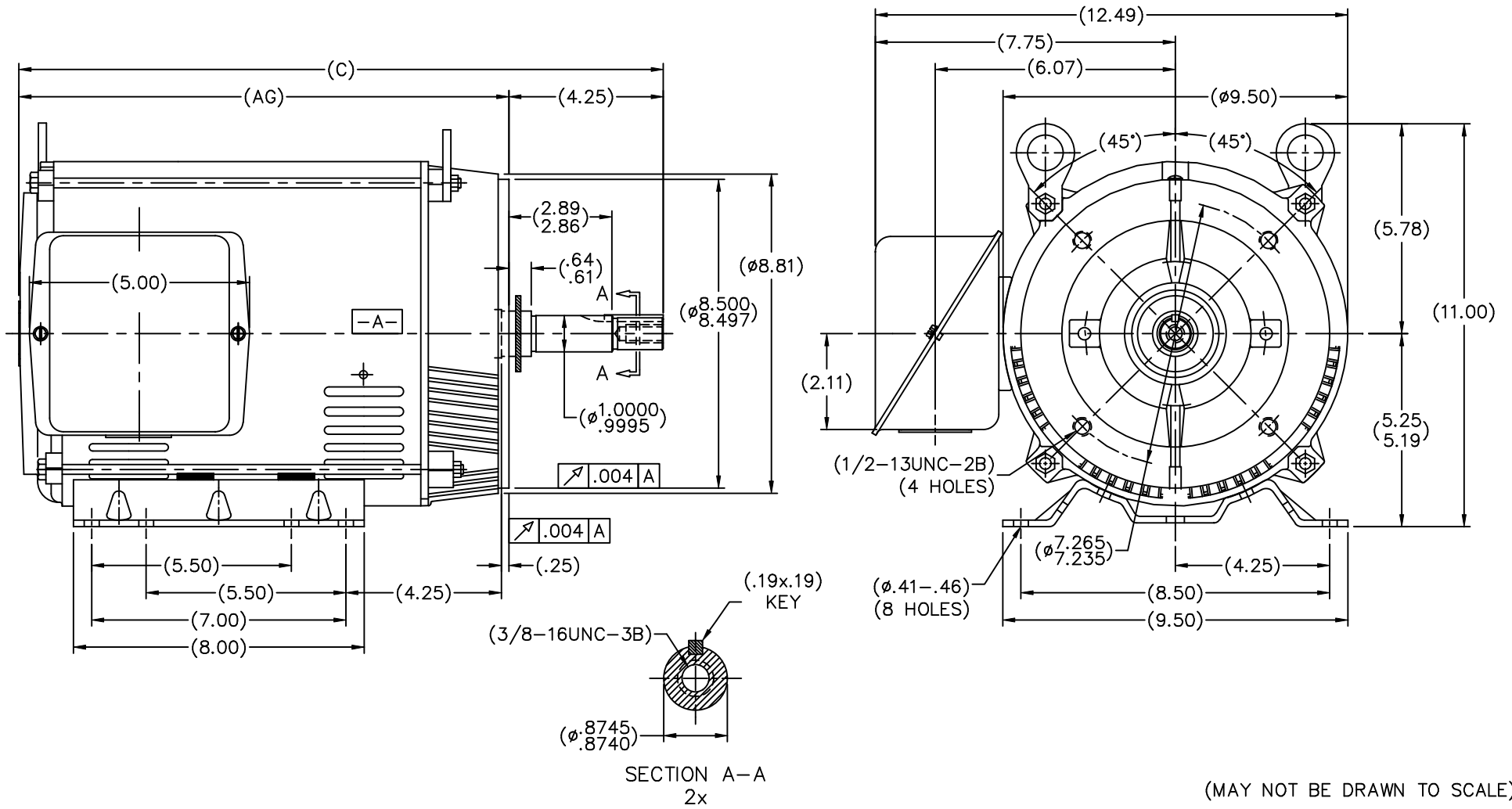
RegalRexnord

Nameplate Specifications

Phase	3	Output HP	15 & 10 Hp
Output KW	11.2 & 7.5 kW	Voltage	208-230/460 & 190/380 V
Speed	3475 & 2910 rpm	Service Factor	1.15 & 1.15
Frame	215JM	Enclosure	Drip Proof
Thermal Protection	No Protection	Efficiency	88.5 & 89.5 %
Ambient Temperature	40 °C	Frequency	60 & 50 Hz
Current	38-34/17 & 27.6/13.8 A	Power Factor	92.5
Duty	Continuous	Insulation Class	B
Design Code	B	KVA Code	G
Drive End Bearing Size	6309	Opp Drive End Bearing Size	6206
UL	Recognized	CSA	Y
CE	Y	IP Code	22
Number of Speeds	1		

Technical Specifications

Electrical Type	Squirrel Cage Induction Run	Starting Method	Across The Line
Poles	2	Rotation	Reversible
Resistance Main	1.23 Ohms	Mounting	Rigid Base
Motor Orientation	Horizontal	Drive End Bearing	Ball
Opp Drive End Bearing	Ball	Frame Material	Rolled Steel
Shaft Type	JM	Overall Length	19.16 in
Shaft Diameter	0.875 in	Shaft Extension	4.28 in
Assembly/Box Mounting	F1/F2 CAPABLE		
Connection Drawing	A-EE7308	Outline Drawing	SS620022-215JM



(MAY NOT BE DRAWN TO SCALE)

213JM-2	17.66	13.41
215JM-2	19.16	14.91
FRAME	C	AG

			TOLERANCES UNLESS SPECIFIED		MARATHON ELECTRIC	DRAWN MSG 02-19-2007				
			DEC.	INCHES		CHK	ML			
			.X	±.1	TITLE OUTLINE		APPD GK 02-22-2007			
			.XX	±.03	213/215JM FR. - C'FACE		SCALE 3-8			
			.XXX	±.005	MATL		REF			
			.XXXX	±.0005	FINISH		FMF			
NO.	REVISION	BY & DATE	CHK	ANG	±7'30"	FINISH	PREV			
THIS DRAWING IN DESIGN AND DETAIL IS OUR PROPERTY AND MUST NOT BE USED EXCEPT IN CONNECTION WITH OUR WORK ALL RIGHTS OF DESIGN AND INVENTION ARE RESERVED THIS IS AN ELECTRONICALLY GENERATED DOCUMENT - DO NOT SCALE THIS PRINT						CAD FILE SS620022	SIZE B	DRAWING NO. SS620022	PAGE OF	REV.

ERROR: undefined
OFFENDING COMMAND: be

STACK:

-dictionary-



				TOLERANCES UNLESS SPECIFIED		DRAWN RM 11/20/1990			
		SL	AB	DEC.	INCHES	CHK	ML		
5	CHG TO REGAL LOGO	09/10/2015					11/21/1990		
4	REVISED IEC NOTATIONS	11/15/2011	CMN	.X	±.1		04/24/2003		
3	ADDED IEC NOTATIONS... (U1), (V1) ETC. MU95194	5/10/2010	MJS	.XX	±.02	TITLE CONNECTION DIAGRAM			
2	ADDED THE OPTIONAL CORD CONNECTION MU46318	04/24/2003	DRS	.XXX	±.005	3Ø - DUAL VOLTAGE MOTOR			
1	REDRAWN	11/20/1990		.XXXX	±.0005	MAT'L.			
NO.	REVISION	BY & DATE	CHK	ANG	±7'30"	FINISH	PREV		
THIS DRAWING IN DESIGN AND DETAIL IS OUR PROPERTY AND MUST NOT BE USED EXCEPT IN CONNECTION WITH OUR WORK ALL RIGHTS OF DESIGN AND INVENTION ARE RESERVED THIS IS AN ELECTRONICALLY GENERATED DOCUMENT - DO NOT SCALE THIS PRINT				RFP	CAD FILE ee7308	SIZE A	DRAWING NO. EE7308	PAGE OF 5	REV. 5
				DIST	WP				