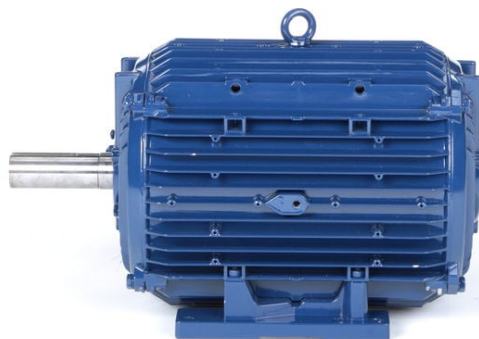


PRODUCT INFORMATION PACKET

Model No: 215TPTAC10514

Catalog No: NM2405

NovaMAX™ EC Permanent Magnet Fan & Blower Motor, 7.50 HP, 3 Ph, 60 Hz, 460 V, 1200 RPM, 215T Frame,
TEAO



Regal and Marathon are trademarks of Regal Rexnord Corporation or one of its affiliated companies.

©2023 Regal Rexnord Corporation, All Rights Reserved. MC017097E

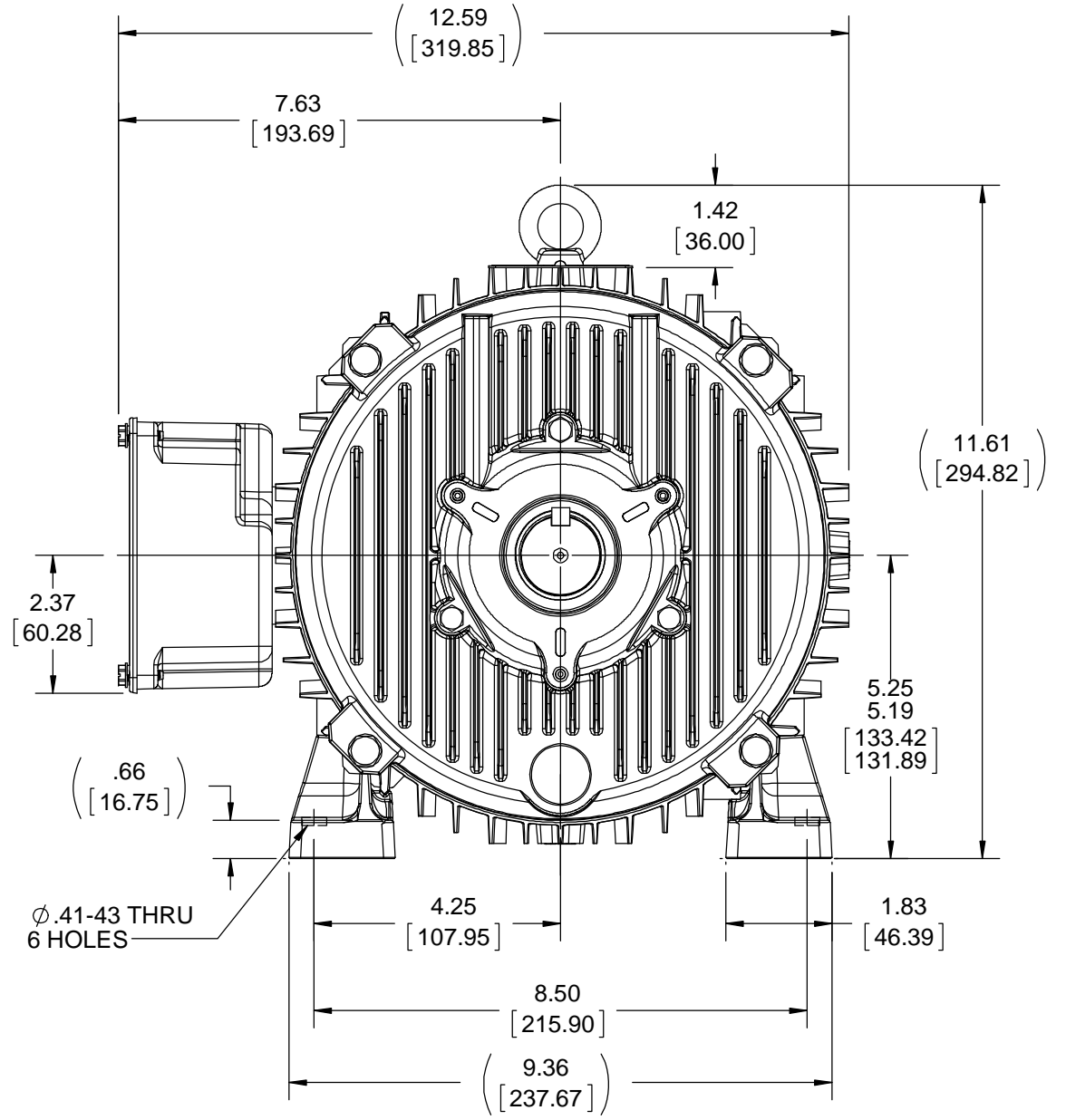
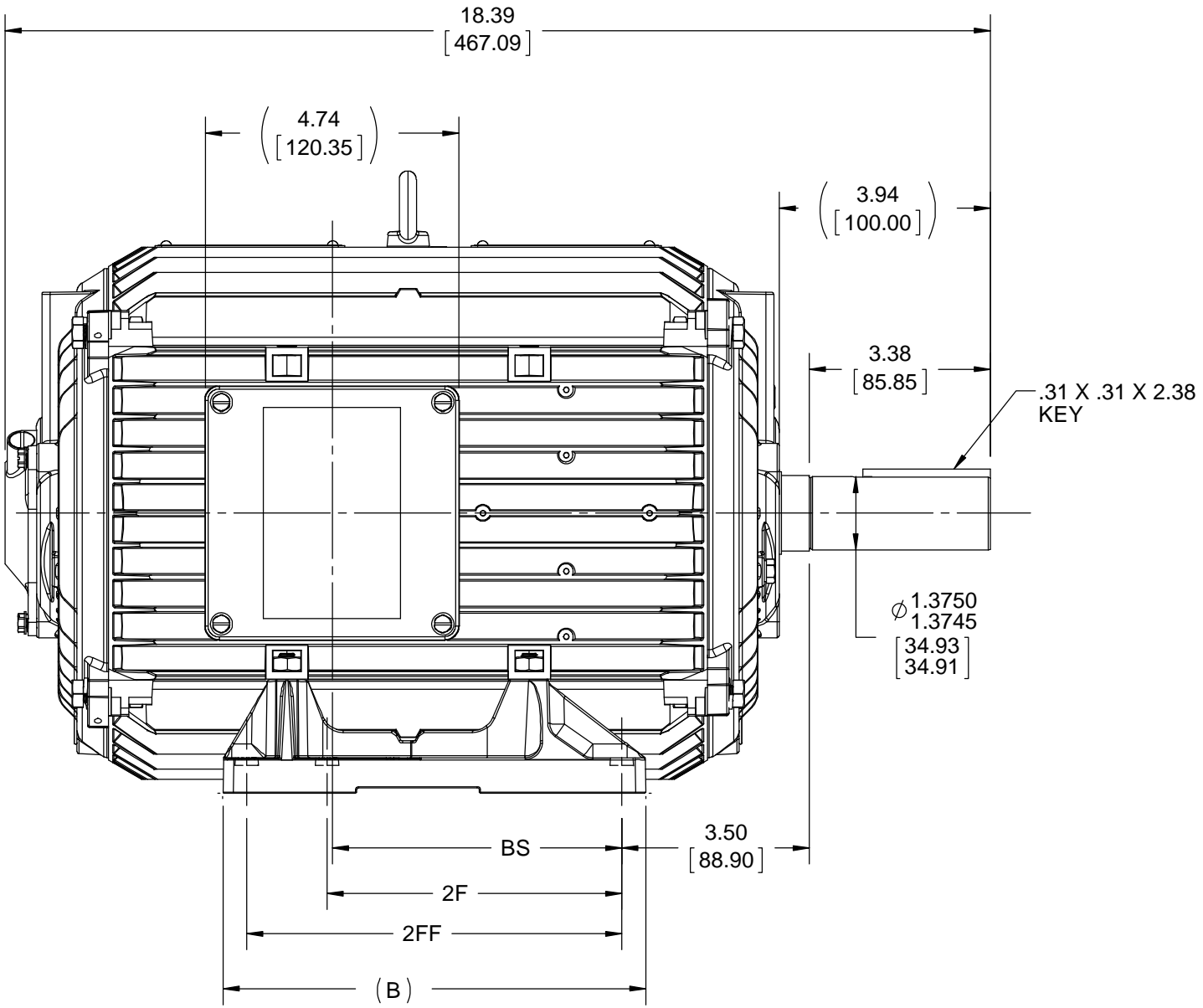
Nameplate Specifications

Phase	3	Output HP	7.50 Hp
Output KW	5.6 kW	Voltage	460 V
Speed	1200 rpm	Service Factor	1.15
Frame	215T	Enclosure	Totally Enclosed Air Over
Thermal Protection	No Protection	Efficiency	93 %
Ambient Temperature	40 °C	Frequency	60 Hz
Current	9.6 A	Power Factor	85
Duty	Continuous	Insulation Class	F
Design Code	No Design Code	KVA Code	N/A
Drive End Bearing Size	6308	Opp Drive End Bearing Size	6308
UL	Recognized	CSA	N
CE	N	IP Code	54
Number of Speeds	1		

Technical Specifications

Electrical Type	AC Permanent Magnet	Starting Method	Inverter Only
Poles	6	Rotation	Reversible
Resistance Main	0 Ohms	Mounting	Rigid Base
Motor Orientation	Horizontal	Drive End Bearing	Ball
Opp Drive End Bearing	Ball	Frame Material	Aluminum
Shaft Type	T	Overall Length	17.80 in
Frame Length	11.18 in	Shaft Diameter	1.375 in
Shaft Extension	3.38 in	Assembly/Box Mounting	F1/F2 CAPABLE
Connection Drawing	EE7300	Outline Drawing	520-00501-1118

DASH	FRAME	C	B	2F	2FF	BS
1118	213/215	18.39 [467.09]	7.90 [200.58]	5.50 [139.70]	7.00 [177.80]	5.40 [137.24]



- NOTES: (UNLESS OTHERWISE SPECIFIED)
- ALL DIMENSIONS & TOLERANCES APPLY POST-FINISH OR PLATING.
 - CRITICAL TO FUNCTION DIMENSIONS ARE INSIDE OVAL BORDER. QUERY SOLID MODEL (IGES) FOR COMPLETE PART DEFINITION.

DRAWING REVISION E	REVISION BY GNK	DATE 08/09/2018
ECO ECO-0150544	APPROVED BY GNK	DATE 08/09/2018
ECO DESCRIPTION SHEET 1 DELETED		
<small>COPYRIGHT REGAL BELOIT AMERICA, INC. ALL RIGHTS RESERVED. PROPRIETARY AND CONFIDENTIAL INFORMATION - THIS DOCUMENT IS THE PROPERTY OF REGAL BELOIT AMERICA, INC. ("OWNER") AND CONTAINS OWNER'S PROPRIETARY INFORMATION. ANY PERSON, CORPORATION OR OTHER FIRM RECEIVING IT IS DEEMED, BY RECEIVING IT, TO AGREE THAT IT, AND/OR ANY PART OF IT, SHALL NOT BE DISCLOSED TO ANY PERSON, CORPORATION OR OTHER ENTITY, DUPLICATED, AND/OR USED, EXCEPT AS EXPRESSLY APPROVED IN WRITING IN ADVANCE BY OWNER. THIS DOCUMENT SHALL BE RETURNED TO OWNER UPON REQUEST. IT MAY BE SUBJECT TO CERTAIN RESTRICTIONS UNDER APPLICABLE EXPORT CONTROL LAWS AND REGULATIONS.</small>		

TOLERANCES UNLESS OTHERWISE SPECIFIED:

DEC.	mm	INCH	ANGLE
.X	±2.5	[±0.10]	±0.5°
.XX	±0.25	[±0.010]	
.XXX	±0.130	[±0.0051]	
.XXXX	±0.0130	[±0.00051]	

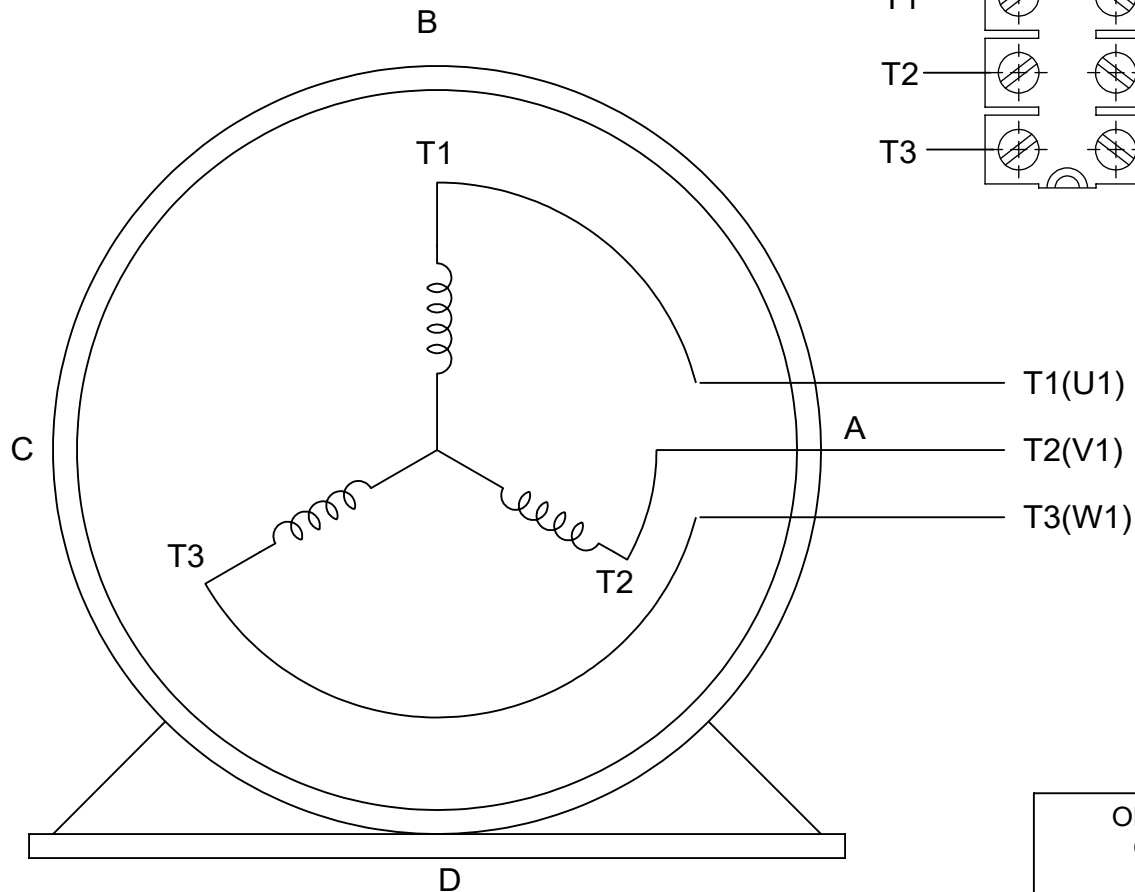
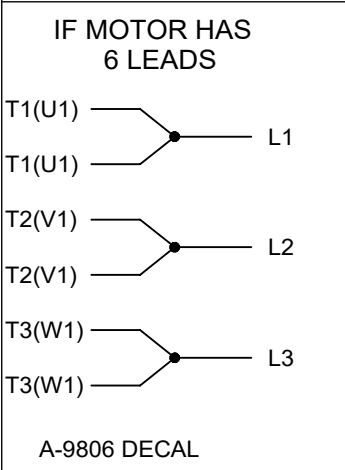
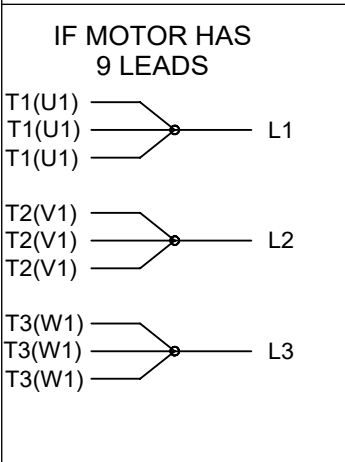
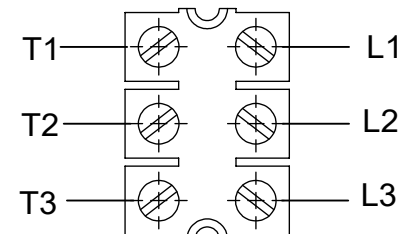
REMOVE BURRS & BREAK SHARP EDGES: .08/.38 [.003/.015] X 45°
CORNER FILLETS: R.50 [.020]
MACHINED SURFACES: 125 $\sqrt{\text{mm}}$ 3.2 $\sqrt{\text{INCH}}$
INCH SHOWN IN [BRACKETS]

DRAWN BY	REGAL ™ Regal Beloit America, Inc.	
DATE	DESCRIPTION OUTLINE NOVAMAX, 213/215T, TEAO/TENV, RIGID	
APPROVED BY	MATERIAL	PROCESS/FINISH
DATE	SIZE B	DRAWING NUMBER 520-00501
REFERENCE	THIRD ANGLE PROJECTION	SHEET 1 OF 1

THREE PHASE - SINGLE VOLTAGE
MOTOR - CONDUIT BOX @ 'A'

TERMINAL BLOCK WHEN SPECIFIED

TO REVERSE ROTATION:
INTERCHANGE ANY TWO LINE
LEAD CONNECTIONS



VIEW OF TERMINAL END

OPTIONAL CORD CONNECTION

L1	WHITE
L2	RED
L3	BLACK

DRAWING REVISION AC	REVISION BY BS	REV DATE/© DATE 26/07/2022
REQUEST NUMBER CR-0010402	APPROVED BY SN	DATE 26/07/2022
REQUEST NUMBER DESCRIPTION DRAWING UPDATED		
<small>COPYRIGHT (PER REVISION DATE) REGAL BELOIT AMERICA, INC. ALL RIGHTS RESERVED. PROPRIETARY AND CONFIDENTIAL INFORMATION - THIS DOCUMENT IS THE PROPERTY OF REGAL BELOIT AMERICA, INC. ("OWNER") AND CONTAINS OWNER'S PROPRIETARY INFORMATION. ANY PERSON, CORPORATION OR OTHER FIRM RECEIVING IT IS DEEMED, BY RECEIVING IT, TO AGREE THAT IT, AND/OR ANY PART OF IT, SHALL NOT BE DISCLOSED TO ANY PERSON, CORPORATION OR OTHER ENTITY, DUPLICATED, AND/OR USED, EXCEPT AS EXPRESSLY APPROVED IN WRITING IN ADVANCE BY OWNER. THIS DOCUMENT SHALL BE RETURNED TO OWNER UPON REQUEST. IT MAY BE SUBJECT TO CERTAIN RESTRICTIONS UNDER APPLICABLE EXPORT CONTROL LAWS AND REGULATIONS.</small>		

PRIMARY DIMENSIONS ARE INCH
mm DIMENSIONS IN [BRACKETS]
ARE FOR REFERENCE ONLY

DRAWN BY DA
DATE 03-26-1993
APPROVED BY TB
DATE 03-26-1993
REFERENCE
THIRD ANGLE PROJECTION

Regal Rexnord		Regal Beloit America, Inc.	
DESCRIPTION CONNECTION DIAGRAM EXTERNAL - SINGLE VOLTAGE - 3Ø MOTOR			
MATERIAL		PROCESS/FINISH	
SIZE A	DRAWING NUMBER EE7300		SHEET 1 OF 1